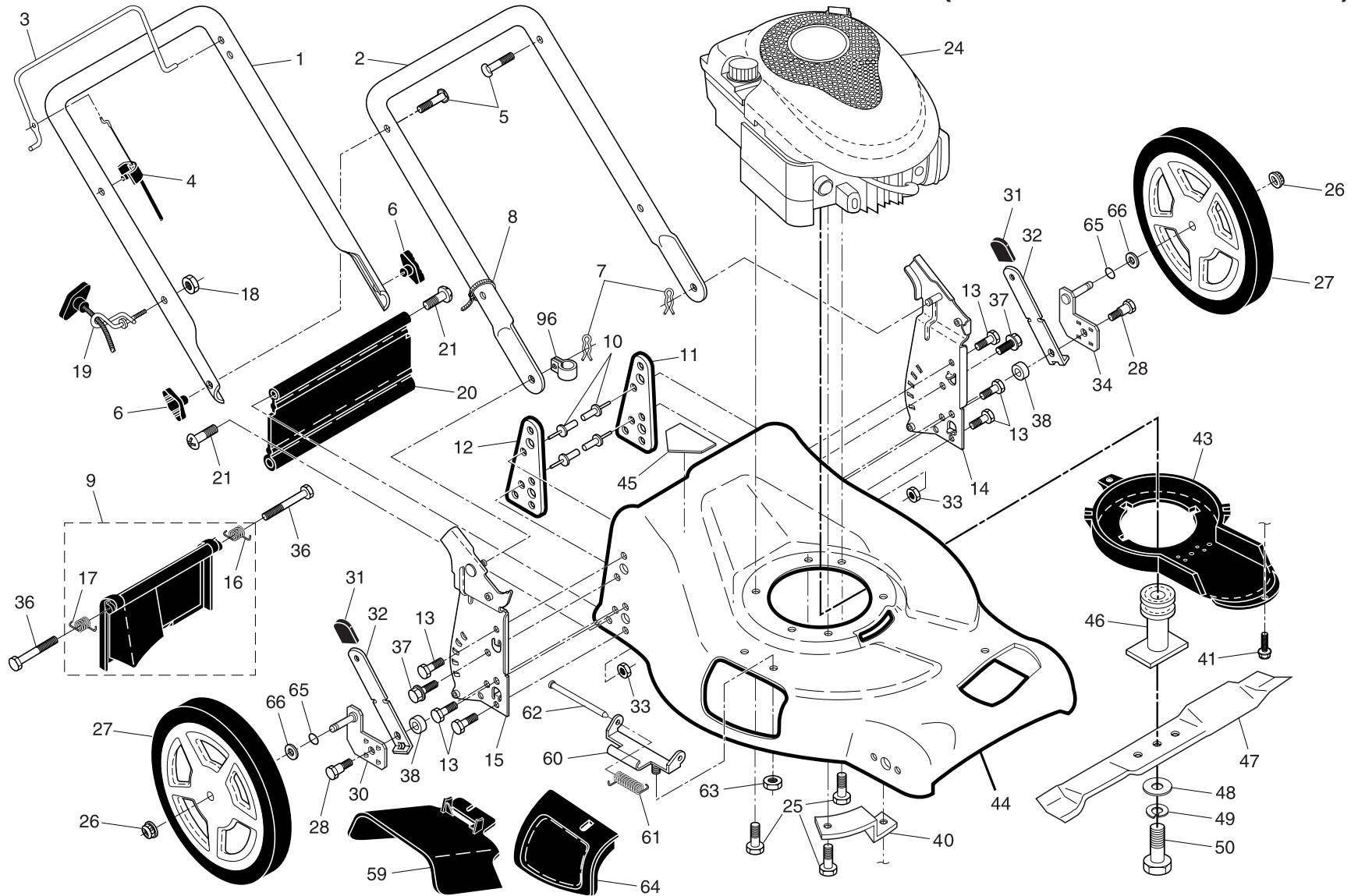


ROTARY LAWN MOWER - - MODEL NUMBER SO65Y21RHP (MFG. ID. NO. 96142002501)

2



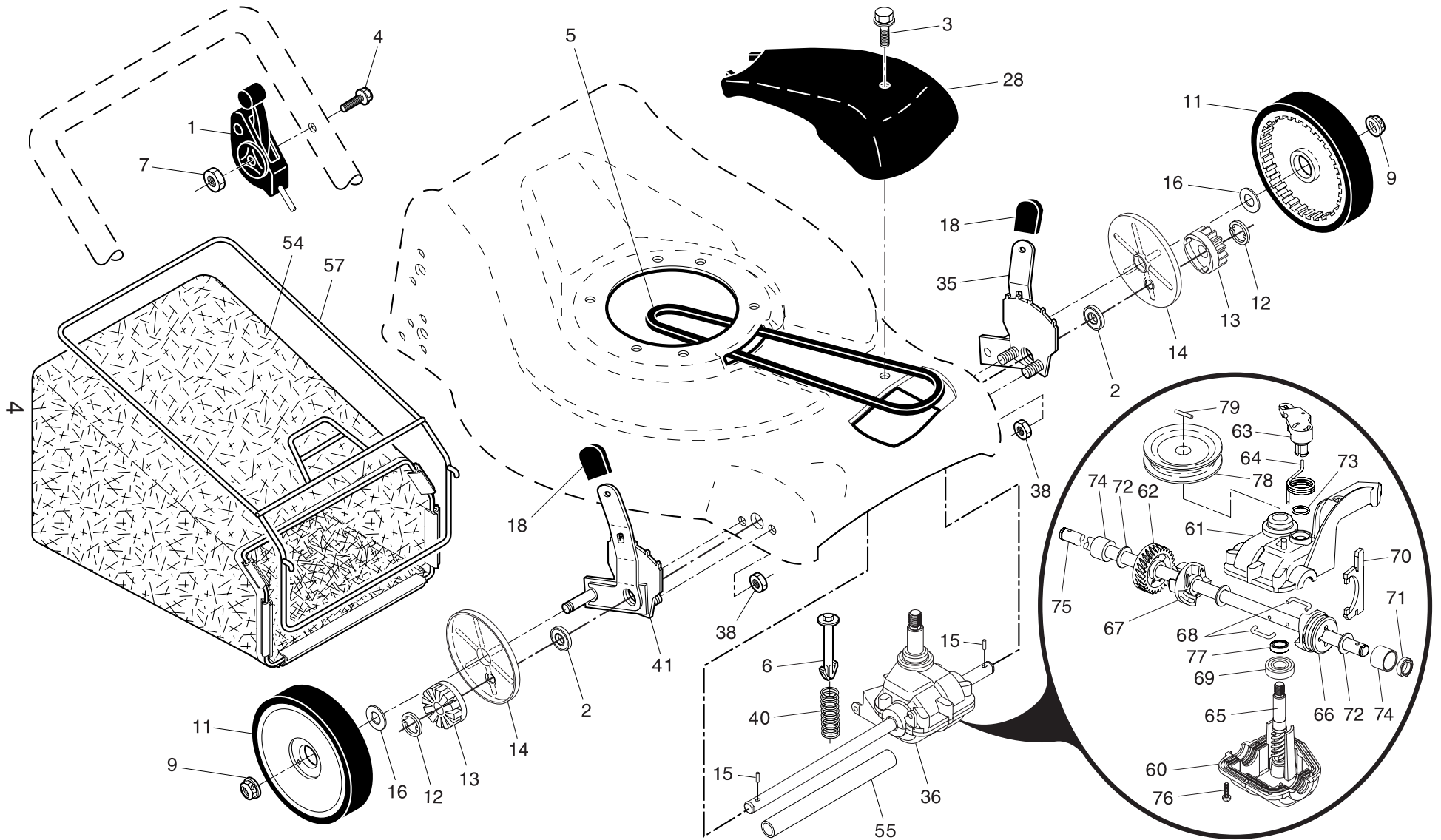
ROTARY LAWN MOWER - - MODEL NUMBER **SO65Y21RHP** (MFG. ID. NO. 96142002501)

	KEY NO.	PART NO.	DESCRIPTION	KEY NO.	PART NO.	DESCRIPTION
	1	183496X479	Upper Handle	32	175060X004	Selector Spring
	2	151721X479	Lower Handle	33	73800500	Locknut, Hex
	3	146771	Control Bar	34	193127X004	Axle Arm Assembly, Rear, LH
	4	183567	Engine Zone Control Cable	36	184193	Bolt, Rear Door
	5	191574	Handle Bolt	37	150078	Screw, Hex Washer Head 5/16-18
	6	189713X428	Handle Knob	38	19112206	Washer, Step
	7	51793	Hairpin Cotter	40	188839X004	Mounting Bracket, Debris Shield
	8	66426	Wire Tie	41	192325	Screw, Debris Shield
	9	180479	Kit, Rear Door (Includes Key Numbers 16 and 17)	43	188784	Debris Shield
	10	128415	Pop Rivet	44	195619	Kit, Lawn Mower Housing (Includes Key Numbers 11, 12 and 45)
	11	175069X479	Support Bracket, LH	45	404763	Danger Decal
	12	175070X479	Support Bracket, RH	46	189179	Blade Adapter / Pulley
	13	17060410	Screw, Tapping 1/4-20 x 5/8	47	189028	Blade, 21"
	14	175576X479	Handle Bracket Assembly, LH	48	851074	Hardened Washer
3	15	175577X479	Handle Bracket Assembly, RH	49	850263	Helical Washer
	16	180071	Spring, Rear Door, LH	50	851084	Hex Head Machine Screw, Grade 8, 3/8-24 x 1-3/8
	17	180072	Spring, Rear Door, RH	59	175071	Discharge Deflector
	18	132004	Nut, Hex 1/4-20	60	175735	Hinge Bracket
	19	194788	Rope Guide	61	193000	Spring
	20	189005	Rear Skirt	62	175650	Rod, Hinge
	21	88652	Hinge Screw 1/4-20 x 1-1/4	63	73800400	Keps Locknut 1/4-20
	24	- - -	Engine, Briggs & Stratton, Model Number 123K02 (For engine service and replacement parts, call Briggs & Stratton at 1-800-233-3723)	64	175066	Mulcher Door
	25	150406	Hex Head Thread Rolling Screw 3/8-16 x 1-1/8	65	197480	O-Ring
	26	145212	Hex Flange Nut	66	88348	Washer, Flat
	27	193906X427	Wheel & Tire Assembly, Rear, 12"	96	197991	Clip, Cable
	28	160828	Shoulder Bolt 5/16-18 x 1-21/64	- -	404764	Warning Decal (not shown)
	30	193126X004	Axle Arm Assembly, Rear, RH	- -	193733	Operator's Manual, English
	31	87877	Selector Knob	- -	193743	Operator's Manual, Spanish
				- -	405198	Replacement Parts Manual, English

NOTE: All component dimensions given in U.S. inches. 1 inch = 25.4 mm.

IMPORTANT: Use only Original Equipment Manufacturer (O.E.M.) replacement parts. Failure to do so could be hazardous, damage your lawn mower and void your warranty.

ROTARY LAWN MOWER -- MODEL NUMBER SO65Y21RHP (MFG. ID. NO. 96142002501)



ROTARY LAWN MOWER - - MODEL NUMBER **SO65Y21RHP** (MFG. ID. NO. 96142002501)

KEY NO.	PART NO.	DESCRIPTION	KEY NO.	PART NO.	DESCRIPTION
1	184588	Control Cable Assembly	55	175739	Driveshaft Cover
2	191039	Bearing, Wheel Adjuster	57	194643	Frame, Grassbag
3	175262	Pan Head Tapping Screw #10-24 x 2-3/4	60	183497	* Case, Lower
4	158755	Hex Washer Head Screw 1/4-20 x 2.12	61	183498	* Case, Upper
5	175436	V-Belt	62	183499	Gear, 27 Teeth
6	150495	Spring Retainer	63	183500	Lever, Clutch
7	191730	Locknut, Hex #10-24	64	183501	Spring, Return
9	83923	Nut, Hex, Flangelock	65	183502	Shaft, Input
11	193912X427	Wheel & Tire Assembly	66	183503	Dog, Movable
12	12000058	E-Ring	67	183504	Dog, Fixed
13	750003	Pinion	68	183505	Wire, Formed
14	189403	Dust Cover	69	183506	Bearing, Ball
15	191017	Pawl, Drive	70	183507	Fork, Shift
16	67725	Washer 1/2 x 1-1/2 x .134	71	183508	Seal, Output Shaft
18	87877	Selector Knob	72	183509	Washer
28	194404X428	Dive Cover	73	183510	Seal, Case
35	195110	Kit, Wheel Adjuster, LH (Includes Knob and Bearing)	74	183511	Bushing
36	199205	Gear Case Assembly, Complete	75	196613	Shaft, Output
38	73800400	Locknut, Hex 1/4-20	76	183513	Screw
40	137090	Spring	77	183514	Seal, Input Shaft
41	195107	Kit, Wheel Adjuster, RH (Includes Knob and Bearing)	78	199852	Pulley, Drive
54	401905	Grassbag	79	199419	Pin, Retaining

* Use Dow Corning #709 to reseal Gear Case Halves.

NOTE: All component dimensions given in U.S. inches. 1 inch = 25.4 mm.

IMPORTANT: Use only Original Equipment Manufacturer (O.E.M.) replacement parts. Failure to do so could be hazardous, damage your lawn mower and void your warranty.