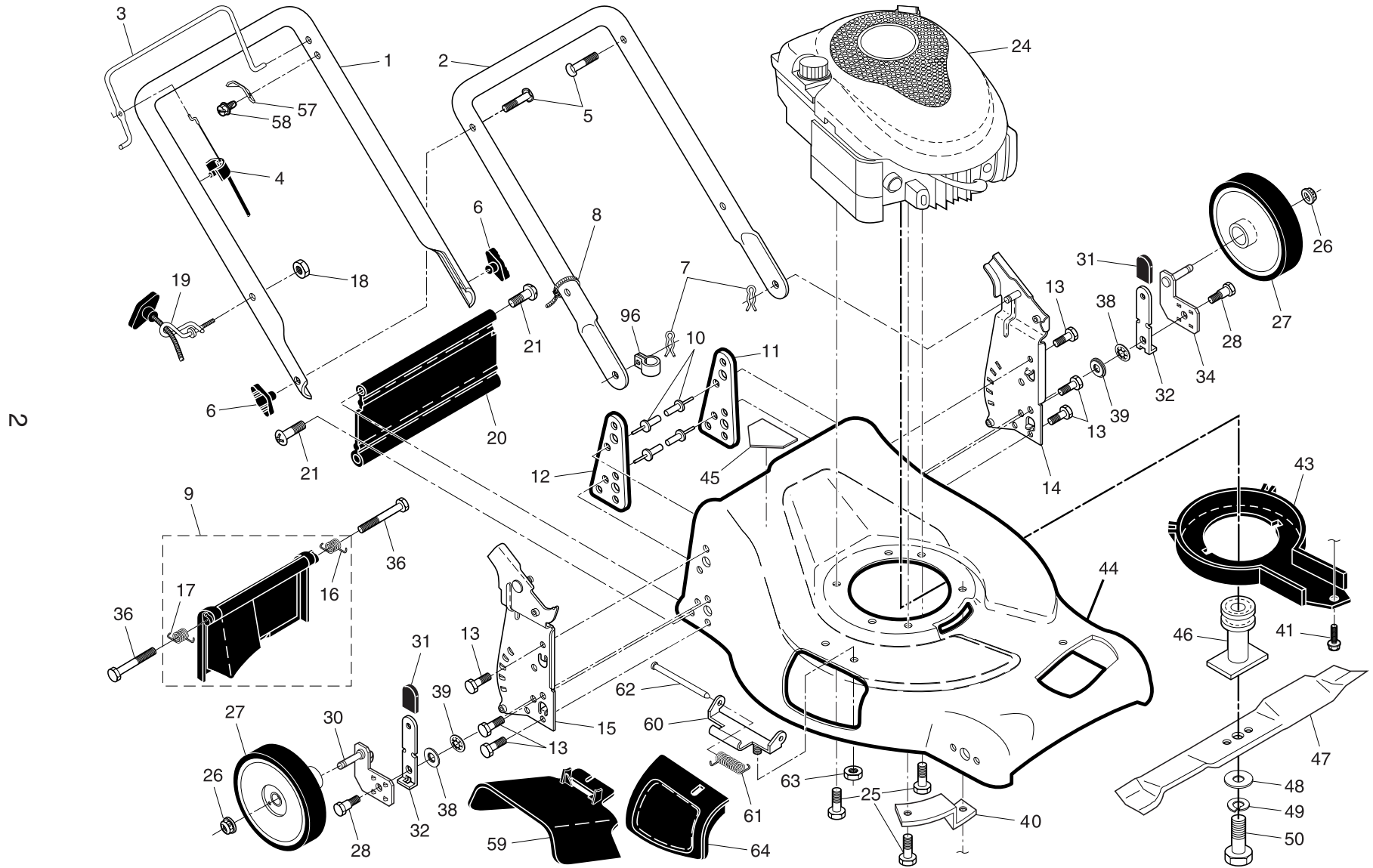


ROTARY LAWN MOWER - - MODEL NUMBER PR65Y21RP (MFG. ID. NUMBER 96142002800)



ROTARY LAWN MOWER - - MODEL NUMBER **PR65Y21RP** (MFG. ID. NUMBER 96142002800)

KEY NO.	PART NO.	DESCRIPTION	KEY NO.	PART NO.	DESCRIPTION
1	194200X479	Upper Handle	32	175060X004	Selector Spring
2	151721X479	Lower Handle	34	189597X004	Axle Arm Assembly, Rear, LH
3	194199X428	Control Bar	36	184193	Bolt, Rear Door
4	183567	Engine Zone Control Cable	38	176185	Washer, Step 11/32 x 1-3/8 x 7/32
5	191574	Handle Bolt	39	176235	Push Nut
6	189713X428	Handle Knob	40	188839X004	Mounting Bracket, Debris Shield
7	51793	Hairpin Cotter	41	192325	Screw, Debris Shield
8	66426	Wire Tie	43	188784	Debris Shield
9	180479	Kit, Rear Door (Includes Key Numbers 16 and 17)	44	176710	Kit, Lawn Mower Housing (Includes Key Numbers 11, 12 and 45)
10	128415	Pop Rivet			
11	175069X479	Support Bracket, LH	45	107339X	Danger Decal
12	175070X479	Support Bracket, RH	46	189179	Blade Adapter / Pulley
13	17060410	Screw, Tapping 1/4-20 x 5/8	47	189028	Blade, 21"
14	175082X479	Handle Bracket Assembly, LH	48	851074	Hardened Washer
15	175081X479	Handle Bracket Assembly, RH	49	850263	Helical Washer
16	180071	Spring, Rear Door, LH	50	851084	Hex Head Machine Screw, Grade 8, 3/8-24 x 1-3/8
17	180072	Spring, Rear Door, RH	57	850733X004	Bracket, Upstop
18	132004	Nut, Hex 1/4-20	58	750634	Screw #10-24 x 1/2
19	194788	Rope Guide	59	175071	Discharge Deflector
20	189005	Rear Skirt	60	175735	Hinge Bracket
21	88652	Hinge Screw 1/4-20 x 1-1/4	61	193000	Spring
24	---	Engine, Briggs & Stratton, Model Number 123K02 (For engine service and replacement parts, call Briggs & Stratton at 1-800-233-3723)	62	175650	Rod, Hinge
25	150406	Hex Head Thread Rolling Screw 3/8-16 x 1-1/8	63	73800400	Keps Locknut 1/4-20
26	83923	Hex Flange Nut	64	175066	Mulcher Door
27	193909X421	Wheel & Tire Assembly	96	197991	Clip, Cable
28	189312	Shoulder Bolt 5/16-18 x 1-21/64	--	162300	Warning Decal (not shown)
30	189596X004	Axle Arm Assembly, Rear, RH	--	193733	Operator's Manual, English
31	87877	Selector Knob	--	193736	Operator's Manual, French
			--	403067	Replacement Parts Manual, English / French

NOTE: All component dimensions given in U.S. inches. 1 inch = 25.4 mm.

IMPORTANT: Use only Original Equipment Manufacturer (O.E.M.) replacement parts. Failure to do so could be hazardous, damage your lawn mower and void your warranty.

ROTARY LAWN MOWER - - MODEL NUMBER **PR65Y21RP** (MFG. ID. NUMBER 96142002800)

KEY NO.	PART NO.	DESCRIPTION	KEY NO.	PART NO.	DESCRIPTION
1	194653	Drive Control Cable	54	402460	Grassbag
2	191039	Bearing, Wheel Adjuster	55	175739	Driveshaft Cover
3	175262	Pan Head Tapping Screw #10-24 x 2-3/4	57	194643	Frame, Grassbag
5	175436	V-Belt	60	183497	* Case, Lower
6	150495	Spring Retainer	61	183498	* Case, Upper
7	194685X428	Control Bar, Drive	62	183499	Gear, 27 Teeth
9	83923	Nut, Flangelock, Special Thread	63	183500	Lever, Clutch
11	193912X421	Wheel & Tire Assembly	64	183501	Spring, Return
12	12000058	E-Ring	65	183502	Shaft, Input
13	750003	Pinion	66	183503	Dog, Movable
14	189403	Dust Cover	67	183504	Dog, Fixed
15	191017	Pawl, Drive	68	183505	Wire, Formed
16	67725	Washer 1/2 x 1-1/2 x .134	69	183506	Bearing, Ball
18	87877	Selector Knob	70	183507	Fork, Shift
28	194404X428	Dive Cover	71	183508	Seal, Output Shaft
32	194126	Drive Pulley	72	183509	Washer
35	195110	Kit, Wheel Adjuster, LH (Includes Knob and Bearing)	73	183510	Seal, Case
36	194935	Gear Case Assembly, Complete	74	183511	Bushing
38	73800400	Locknut, Hex 1/4-20	75	196613	Shaft, Output
40	137090	Spring	76	183513	Screw
41	195107	Kit, Wheel Adjuster, RH (Includes Knob and Bearing)	77	183514	Seal, Input Shaft

* Use Dow Corning #709 to reseal Gear Case Halves.

NOTE: All component dimensions given in U.S. inches. 1 inch = 25.4 mm.

IMPORTANT: Use only Original Equipment Manufacturer (O.E.M.) replacement parts. Failure to do so could be hazardous, damage your lawn mower and void your warranty.