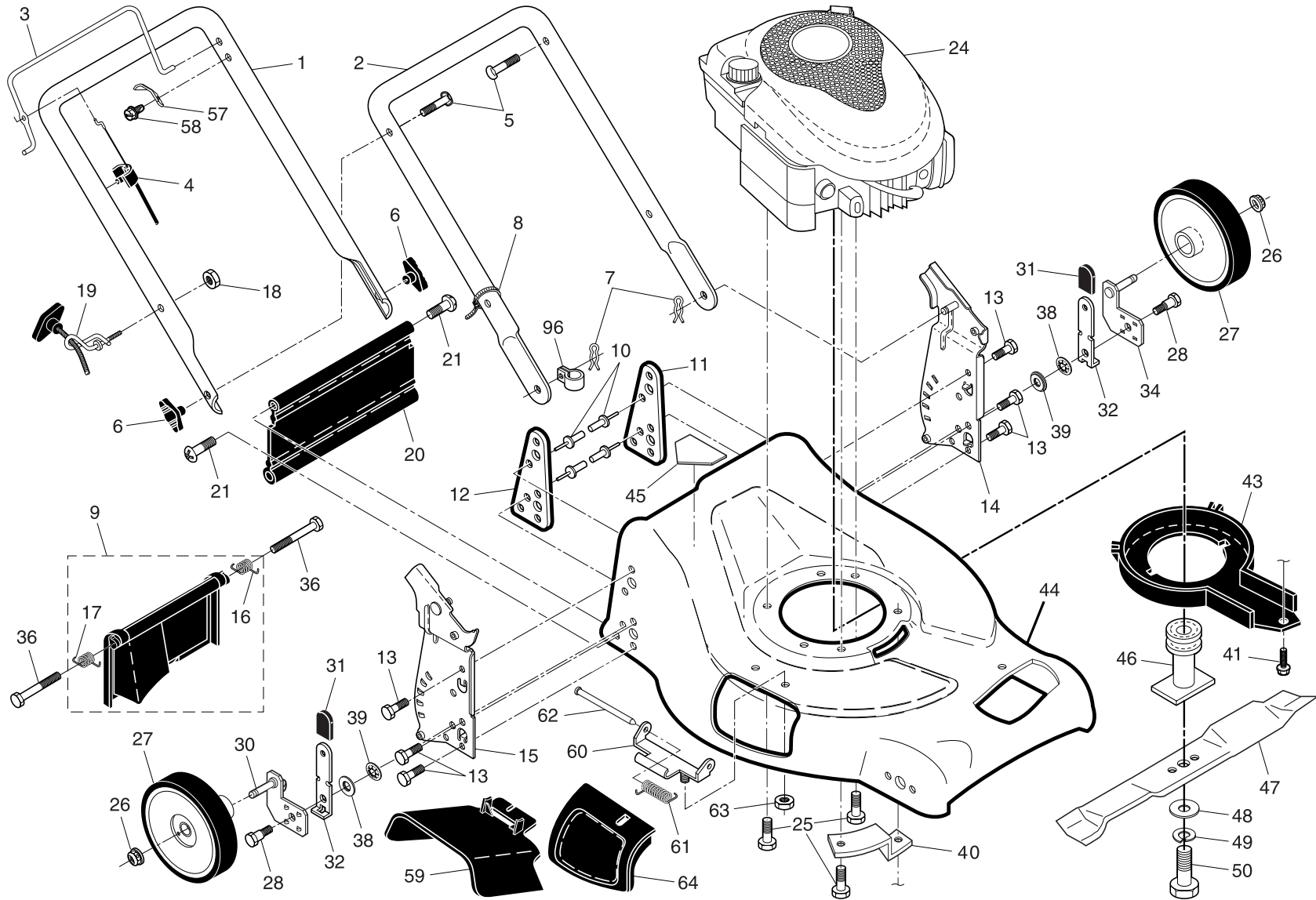


ROTARY LAWN MOWER - - MODEL NUMBER PR65Y21RP (MFG. ID. NUMBER 96142002801)

2



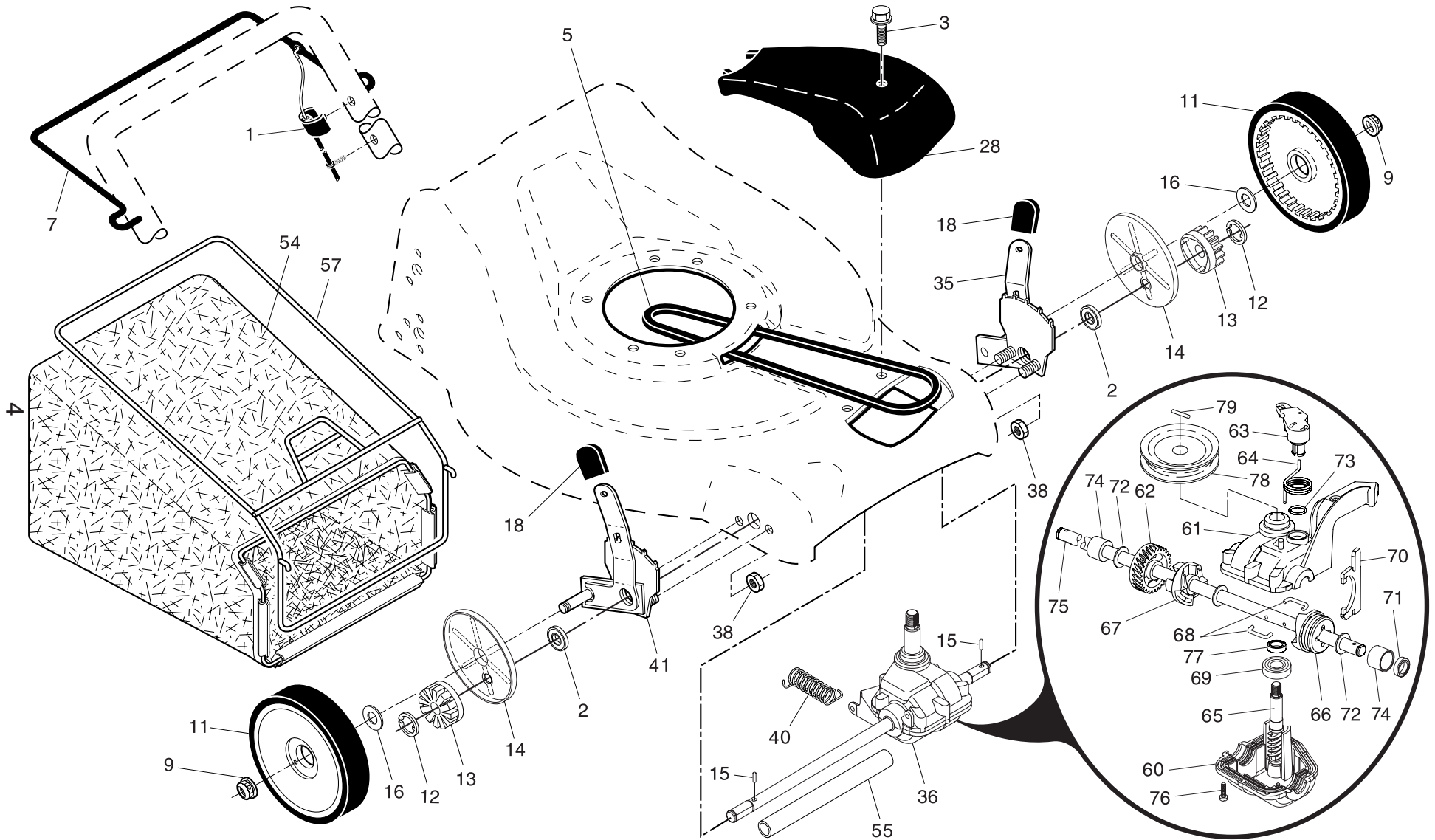
ROTARY LAWN MOWER - - MODEL NUMBER **PR65Y21RP** (MFG. ID. NUMBER 96142002801)

KEY NO.	PART NO.	DESCRIPTION	KEY NO.	PART NO.	DESCRIPTION
1	194200X479	Upper Handle	32	175060X004	Selector Spring
2	151721X479	Lower Handle	34	189597X004	Axle Arm Assembly, Rear, LH
3	194199X428	Control Bar	36	184193	Bolt, Rear Door
4	183567	Engine Zone Control Cable	38	176185	Washer, Step 11/32 x 1-3/8 x 7/32
5	191574	Handle Bolt	39	176235	Push Nut
6	189713X428	Handle Knob	40	188839X004	Mounting Bracket, Debris Shield
7	51793	Hairpin Cotter	41	192325	Screw, Debris Shield
8	66426	Wire Tie	43	188784	Debris Shield
9	180479	Kit, Rear Door (Includes Key Numbers 16 and 17)	44	176710	Kit, Lawn Mower Housing (Includes Key Numbers 11, 12 and 45)
10	128415	Pop Rivet	45	404763	Danger Decal
11	175069X479	Support Bracket, LH	46	189179	Blade Adapter / Pulley
12	175070X479	Support Bracket, RH	47	189028	Blade, 21"
13	17060410	Screw, Tapping 1/4-20 x 5/8	48	851074	Hardened Washer
14	175082X479	Handle Bracket Assembly, LH	49	850263	Helical Washer
15	175081X479	Handle Bracket Assembly, RH	50	851084	Hex Head Machine Screw, Grade 8, 3/8-24 x 1-3/8
16	180071	Spring, Rear Door, LH	57	850733X004	Bracket, Upstop
17	180072	Spring, Rear Door, RH	58	750634	Screw #10-24 x 1/2
18	132004	Nut, Hex 1/4-20	59	175071	Discharge Deflector
19	194788	Rope Guide	60	175735	Hinge Bracket
20	189005	Rear Skirt	61	193000	Spring
21	88652	Hinge Screw 1/4-20 x 1-1/4	62	175650	Rod, Hinge
24	---	Engine, Briggs & Stratton, Model Number 123K02 (For engine service and replacement parts, call Briggs & Stratton at 1-800-233-3723)	63	73800400	Keps Locknut 1/4-20
25	150406	Hex Head Thread Rolling Screw 3/8-16 x 1-1/8	64	175066	Mulcher Door
26	83923	Hex Flange Nut	96	197991	Clip, Cable
27	193909X421	Wheel & Tire Assembly	--	404764	Warning Decal (not shown)
28	189312	Shoulder Bolt 5/16-18 x 1-21/64	--	193733	Operator's Manual, English
30	189596X004	Axle Arm Assembly, Rear, RH	--	193736	Operator's Manual, French
31	87877	Selector Knob	--	405222	Replacement Parts Manual, English / French

NOTE: All component dimensions given in U.S. inches. 1 inch = 25.4 mm.

IMPORTANT: Use only Original Equipment Manufacturer (O.E.M.) replacement parts. Failure to do so could be hazardous, damage your lawn mower and void your warranty.

ROTARY LAWN MOWER - - MODEL NUMBER PR65Y21RP (MFG. ID. NUMBER 96142002801)



ROTARY LAWN MOWER - - MODEL NUMBER **PR65Y21RP** (MFG. ID. NUMBER 96142002801)

KEY NO.	PART NO.	DESCRIPTION	KEY NO.	PART NO.	DESCRIPTION
1	194653	Drive Control Cable	55	175739	Driveshaft Cover
2	191039	Bearing, Wheel Adjuster	57	194643	Frame, Grassbag
3	175262	Pan Head Tapping Screw #10-24 x 2-3/4	60	183497	* Case, Lower
5	175436	V-Belt	61	183498	* Case, Upper
6	150495	Spring Retainer	62	183499	Gear, 27 Teeth
7	194185X428	Control Bar, Drive	63	183500	Lever, Clutch
9	83923	Nut, Flangelock, Special Thread	64	183501	Spring, Return
11	193912X421	Wheel & Tire Assembly	65	183502	Shaft, Input
12	12000058	E-Ring	66	183503	Dog, Movable
13	750003	Pinion	67	183504	Dog, Fixed
14	189403	Dust Cover	68	183505	Wire, Formed
15	191017	Pawl, Drive	69	183506	Bearing, Ball
16	67725	Washer 1/2 x 1-1/2 x .134	70	183507	Fork, Shift
18	87877	Selector Knob	71	183508	Seal, Output Shaft
28	194404X428	Dive Cover	72	183509	Washer
35	195110	Kit, Wheel Adjuster, LH (Includes Knob and Bearing)	73	183510	Seal, Case
36	199205	Gear Case Assembly, Complete	74	183511	Bushing
38	73800400	Locknut, Hex 1/4-20	75	196613	Shaft, Output
40	137090	Spring	76	183513	Screw
41	195107	Kit, Wheel Adjuster, RH (Includes Knob and Bearing)	77	183514	Seal, Input Shaft
54	402460	Grassbag	78	199852	Drive Pulley
			79	199419	Retaining Pin

* Use Dow Corning #709 to reseal Gear Case Halves.

NOTE: All component dimensions given in U.S. inches. 1 inch = 25.4 mm.

IMPORTANT: Use only Original Equipment Manufacturer (O.E.M.) replacement parts. Failure to do so could be hazardous, damage your lawn mower and void your warranty.