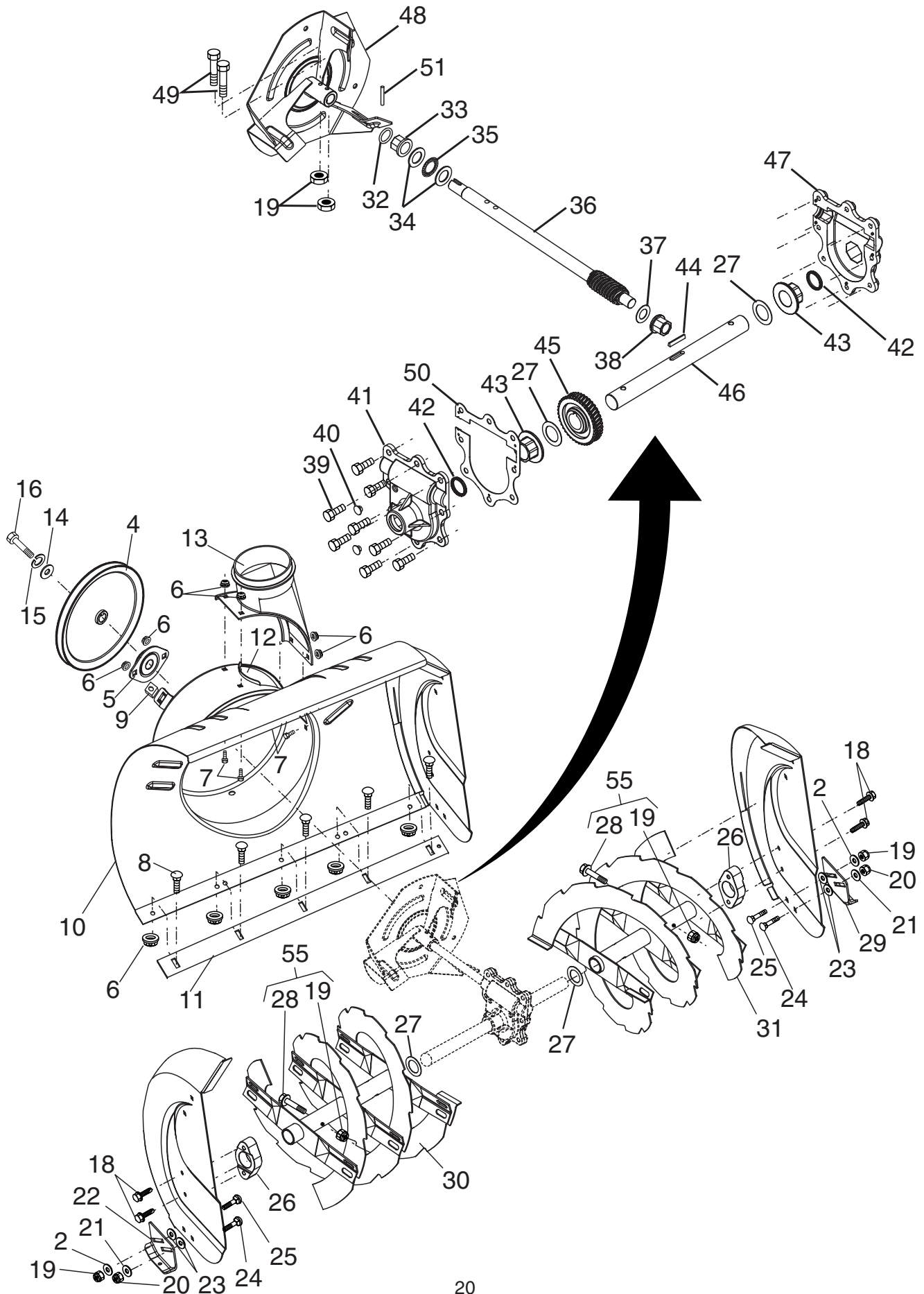


# REPAIR PARTS

# SNOW THROWER - MODEL NUMBER PP8527ESA

## AUGER HOUSING / IMPELLER ASSEMBLY



**REPAIR PARTS****SNOW THROWER - MODEL NUMBER PP8527ESA****AUGER HOUSING / IMPELLER ASSEMBLY**

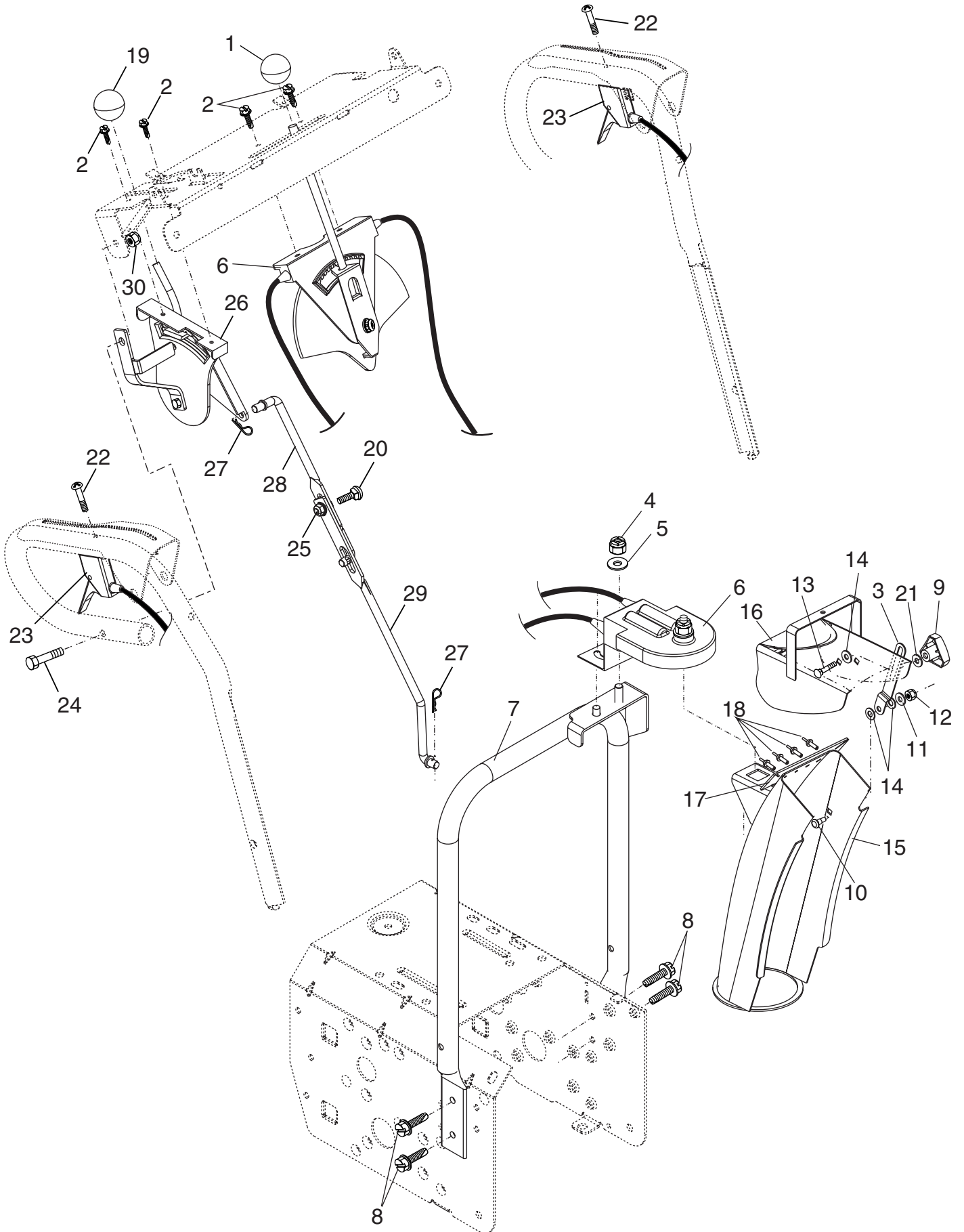
| KEY NO. | PART NO.      | DESCRIPTION   |
|---------|---------------|---|
| 2       | 53847         | Washer, Flat  |
| 4       | 181083        | Pulley, Impeller                                      |
| 5       | <b>188910</b> | Bearing Assembly, Flange                              |
| 6       | 155377        | Nut, Hex Flange 5/16-18                               |
| 7       | 180355        | Bolt, Flat Head, Carriage 5/16-18 x 5/8               |
| 8       | 72270505      | Bolt, Carriage 5/16-18 x 5/8                          |
| 9       | 178820        | Nut, Cage 3/8-16                                      |
| 10      | 178826X428    | Housing, Auger  |
| 11      | 178690X479    | Bar, Scraper  |
| 12      | 178675X008    | Bracket, Corner Discharge                             |
| 13      | 175322        | Base, Discharge Chute                                 |
| 14      | 19111507      | Washer, Flat  |
| 15      | 10040500      | Washer, Lock 5/16                                     |
| 16      | 74950512      | Screw, Hex Head 5/16-18 x 3/4                         |
| 18      | 179582        | Screw, Hex Head 5/16 x 1                              |
| 19      | 73800400      | Nut, Hex Lock 1/4-20                                  |
| 20      | 73800500      | Nut, Hex Lock 5/16-18                                 |
| 21      | 155415        | Washer, Flat  |
| 22      | 178777X479    | Skid Plate, RH  |
| 23      | 179246        | Washer, Nylon, Friction                               |
| 24      | 72270506      | Bolt, Carriage 5/16-18 x 3/4                          |
| 25      | 185600        | Bolt, Shoulder  |
| 26      | 174658        | Bearing, Auger  |
| 27      | 174697        | Washer, Thrust, 1"                                    |
| 28      | 187494        | Bolt, Shear   |
| 29      | 174762X479    | Skid Plate, LH  |
| 30      | 178763X479    | Auger Assembly, RH                                    |
| 31      | 178697X479    | Auger Assembly, LH                                    |
| 32      | 174699        | O-Ring  |
| 33      | 174700        | Bushing, Flange 3/4                                   |
| 34      | 174681        | Washer, Thrust 3/4                                    |
| 35      | 174684        | Bearing, Thrust 3/4                                   |
| 36      | 174660        | Shaft, Impeller                                       |
| 37      | 174683        | Washer, Thrust 5/8                                    |
| 38      | 174686        | Bushing, Flange 5/8                                   |
| 39      | 150078        | Screw, Hex Head 5/16-18 x 3/4                         |
| 40      | 86447         | Plug, Case  |
| 41      | 174688        | Housing, Gearbox, RH                                  |
| 42      | 174698        | Seal, Oil   |
| 43      | 174701        | Bushing, Flange, 1"                                   |
| 44      | 178879        | Key, Square 1/4 x 1/4 x 7/8                           |
| 45      | 174659        | Gear, Worm  |
| 46      | 174657        | Shaft, Auger  |
| 47      | 174687        | Housing, Gearbox, LH                                  |
| 48      | 175321X479    | Impeller Assembly                                     |
| 49      | 74780426      | Screw, Hex Head 1/4-20 x 1-5/8                        |
| 50      | 175311        | Gasket, Gearbox                                       |
| 51      | 7836M         | Pin, Roll 3/16 x 1-1/8                                |
| 55      | <b>188243</b> | Kit, Shear (Contains 6 each of Key Numbers 19 and 28) |

**NOTE:** All component dimensions given in U.S. inches  
1 inch = 25.4 mm

# REPAIR PARTS

# SNOW THROWER - MODEL NUMBER PP8527ESA

## CONTROL PANEL / DISCHARGE CHUTE



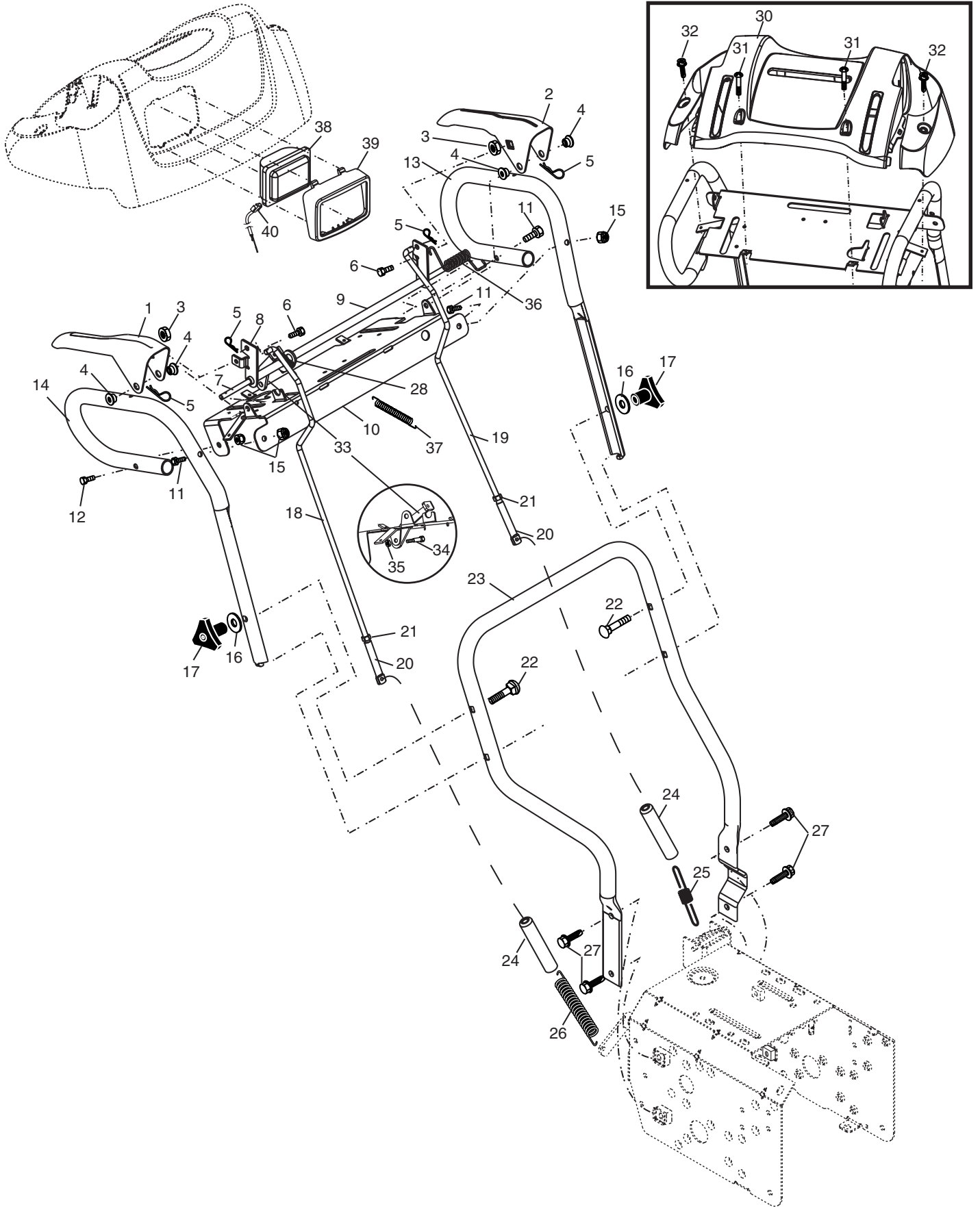
**REPAIR PARTS****SNOW THROWER - MODEL NUMBER PP8527ESA****CONTROL PANEL / DISCHARGE CHUTE**

| <b>KEY NO.</b> | <b>PART NO.</b> | <b>DESCRIPTION</b>               |
|----------------|-----------------|----------------------------------|
| 1              | 183334          | Knob, Lever                      |
| 2              | 17501010        | Screw #10-24 x 5/8               |
| 3              | 179096X479      | Strap, Slotted                   |
| 4              | 73800600        | Nut, Lock 3/8-16                 |
| 5              | 19131316        | Washer, Flat 3/8                 |
| 6              | 178659          | Control Assembly, Chute Rotater  |
| 7              | 178638X479      | Support, Pivot                   |
| 8              | 150078          | Screw, Hex Head 5/16-18 x 3/4    |
| 9              | 180453          | Knob, Deflector                  |
| 10             | 185600          | Bolt, Shoulder                   |
| 11             | 53847           | Washer, Flat 1/4                 |
| 12             | 73800400        | Nut, Lock 1/4-20                 |
| 13             | <b>72250505</b> | Bolt, Carriage 5/16-18           |
| 14             | 179246          | Washer, Nylon                    |
| 15             | 178628X428      | Chute Assembly                   |
| 16             | 178633X428      | Deflector Assembly               |
| 17             | 179145          | Seal, Deflector                  |
| 18             | 128415          | Rivet, Blind                     |
| 19             | 183333          | Knob, Speed Control Lever        |
| 20             | 72270506        | Bolt, Carriage 5/16-18 x 3/4     |
| 21             | <b>155415</b>   | Washer, Flat                     |
| 22             | <b>74041024</b> | Screw #10-24 x 1-1/2             |
| 23             | 187691          | Control Assembly, Power Steering |
| 24             | 74780528        | Screw, Hex Head 5/16-18 x 1-3/4  |
| 25             | 155377          | Nut, Lock 5/16-18                |
| 26             | 179257          | Lever Assembly, Speed Control    |
| 27             | 169675          | Retainer, Hairpin                |
| 28             | 180445          | Rod, Upper, Speed Control        |
| 29             | 187716          | Rod, Lower, Speed Control        |
| 30             | <b>73800500</b> | Nut, Lock 5/16-18                |

**NOTE:** All component dimensions given in U.S. inches  
1 inch = 25.4 mm

# REPAIR PARTS HANDLES

# SNOW THROWER - MODEL NUMBER PP8527ESA



# REPAIR PARTS HANDLES

# SNOW THROWER - MODEL NUMBER PP8527ESA

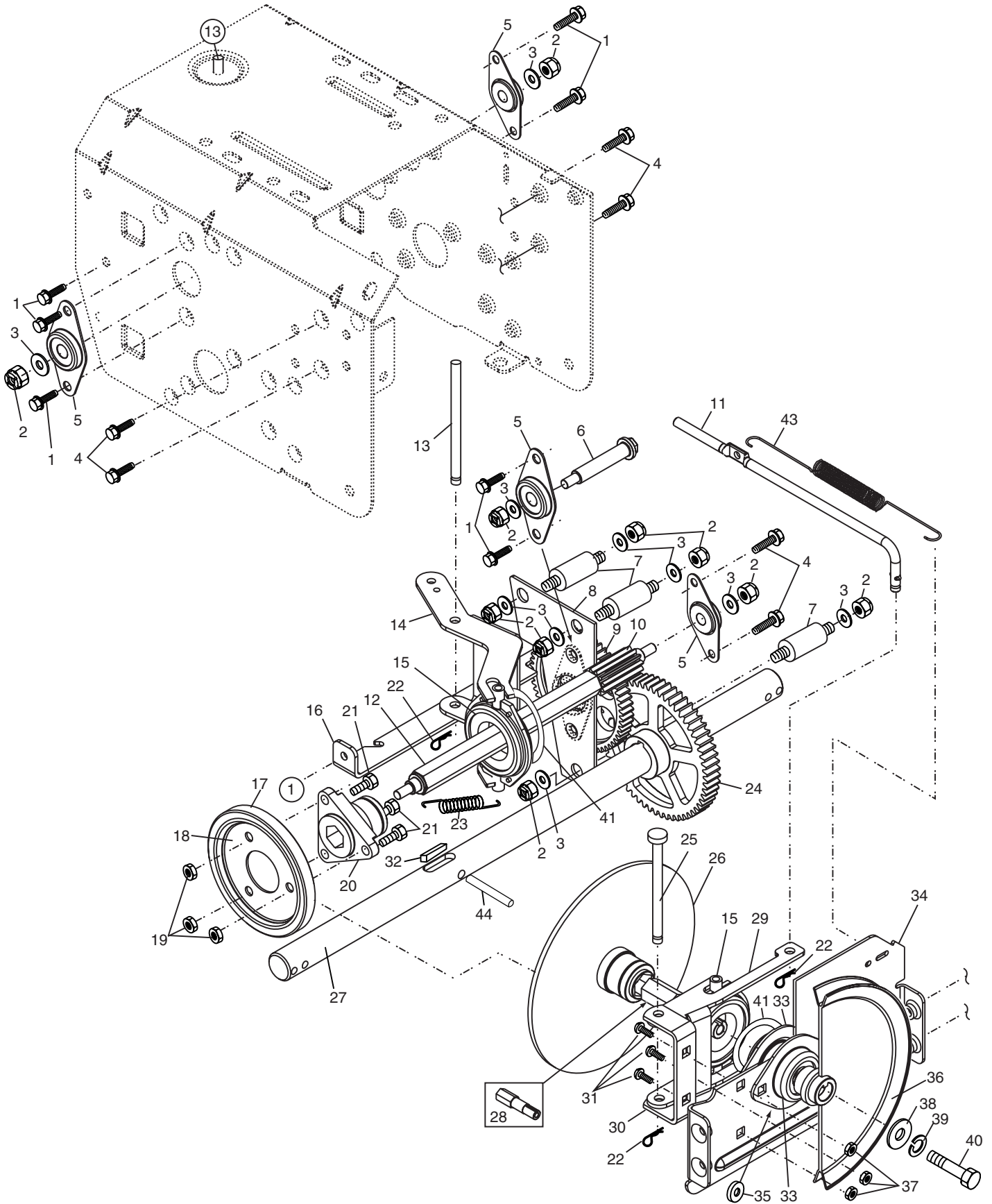
| KEY NO. | PART NO.   | DESCRIPTION                             |
|---------|------------|---|
| 1       | 178875X479 | Lever, Auger Control, RH                |
| 2       | 178648X479 | Lever, Traction Drive Control, LH       |
| 3       | 179439     | Nut, Cage 1/4-20                        |
| 4       | 178888     | Bushing, Flange                         |
| 5       | 169675     | Retainer, Hairpin                       |
| 6       | 180402     | Screw, Hex Head 1/4-20 x 3/4            |
| 7       | 178652     | Rod, Interlock                          |
| 8       | 184003     | Tube Assembly, Interlock, RH            |
| 9       | 178651     | Tube Assembly, Interlock, LH            |
| 10      | 178645X479 | Panel, Control                          |
| 11      | 74780524   | Screw, Hex Head 5/16-18 x 1-1/2         |
| 12      | 74780528   | Screw, Hex Head 5/16-18 x 1-3/4         |
| 13      | 178646X479 | Handle Tube, LH                         |
| 14      | 178696X479 | Handle Tube, RH                         |
| 15      | 73800500   | Nut, Lock 5/16-18                       |
| 16      | 19131316   | Washer, Flat 3/8                        |
| 17      | 178899     | Knob, Handle                            |
| 18      | 179093     | Rod, Auger Control                      |
| 19      | 179098     | Rod, Traction Control                   |
| 20      | 180428     | End, Control Rod                        |
| 21      | 73350500   | Nut, Hex, Jam 5/16-18                   |
| 22      | 72120618   | Bolt, Carriage 3/8-16 x 2-1/4           |
| 23      | 178825X479 | Handle Tube, Lower                      |
| 24      | 180447     | Sleeve, Spring                          |
| 25      | 180926     | Spring, Traction Drive                  |
| 26      | 178669     | Spring, Auger Control                   |
| 27      | 71210616   | Screw, Hex Head 3/8-16 x 1              |
| 28      | 180494     | Clip, Panel                             |
| 30      | 183346     | Console, Panel                          |
| 31      | 175262     | Screw, Hex Head, Tapping #10-24 x 1-1/4 |
| 32      | 184471     | Screw, Hex Head, Tapping #10-24 x 1/2   |
| 33      | 175339X008 | Latch, Interlock                        |
| 34      | 183518     | Bolt, Shoulder                          |
| 35      | 68038      | Nut, Lock 1/4-20                        |
| 36      | 178831     | Spring, Torsion                         |
| 37      | 178658     | Spring, Interlock                       |
| 38      | 180927     | Headlight, Halogen                      |
| 39      | 178668     | Bezel, Headlight                        |
| 40      | 178770     | Harness, Headlight (Halogen)            |

**NOTE:** All component dimensions given in U.S. inches  
1 inch = 25.4 mm

# REPAIR PARTS

# SNOW THROWER - MODEL NUMBER PP8527ESA

## DRIVE





# REPAIR PARTS DRIVE

# SNOW THROWER - MODEL NUMBER PP8527ESA

| KEY NO. | PART NO.   | DESCRIPTION                   |
|---------|------------|-------------------------------|
| 1       | 146315     | Screw, Hex Head 5/16-18 x 3/4 |
| 2       | 73800500   | Nut, Lock 5/16-18             |
| 3       | 155415     | Washer, Flat                  |
| 4       | 17490508   | Screw, Hex Head 5/16-18 x 1/2 |
| 5       | 180017     | Bearing, Flange               |
| 6       | 180134     | Shaft, Auxiliary              |
| 7       | 179270     | Spacer, Plate                 |
| 8       | 179269X479 | Plate, Auxiliary              |
| 9       | 180082     | Gear, Intermediate (12/58)    |
| 10      | 180065     | Gear, Pinion                  |
| 11      | 187714     | Rod, Clutch                   |
| 12      | 180066     | Shaft, Long, Hex              |
| 13      | 178807     | Pin, Pivot                    |
| 14      | 178619X479 | Lever, Shifter / Wheel        |
| 15      | 175344     | Trunnion Bearing Assembly     |
| 16      | 186951X479 | Bracket, Pivot, Shift         |
| 17      | 179831     | Ring, Rubber Wheel            |
| 18      | 178616X479 | Plate, Rubber Wheel           |
| 19      | 73930500   | Nut, Lock 5/16-18             |
| 20      | 178613     | Hub, Rubber Wheel             |
| 21      | 74760514   | Screw, Hex Head 5/16-18 x 7/8 |
| 22      | 85179      | Retainer, Hairpin             |
| 23      | 180135     | Spring, Bias                  |
| 24      | 180081     | Gear, Axle (58 Teeth)         |
| 25      | 178695     | Pin, Pivot Lever              |
| 26      | 175341     | Plate Assembly, Drive         |
| 27      | 188227     | Shaft, Axle                   |
| 28      | 175340     | Shaft, Short Hex              |
| 29      | 175350X479 | Lever, Shifter Plate          |
| 30      | 175349X479 | Bracket, Shifter Support      |
| 31      | 72270505   | Bolt, Carriage 5/16-18 x 5/8  |
| 32      | 178879     | Key, Square 1/4 x 1/4 x 7/8   |
| 33      | 175323     | Bearing, Flange               |
| 34      | 175338X479 | Plate, Drive Mounting         |
| 35      | 182504     | Spacer, Bearing               |
| 36      | 175348     | Pulley, Traction Drive        |
| 37      | 155377     | Nut, Lock 5/16-18             |
| 38      | 19111507   | Washer, Flat                  |
| 39      | 10040500   | Washer, Lock 5/16             |
| 40      | 74950512   | Screw, Hex Head 5/16-18 x 3/4 |
| 41      | 12000012   | Ring, Retaining               |
| 43      | 179095     | Spring, Return                |
| 44      | 9465M      | Pin, Roll                     |

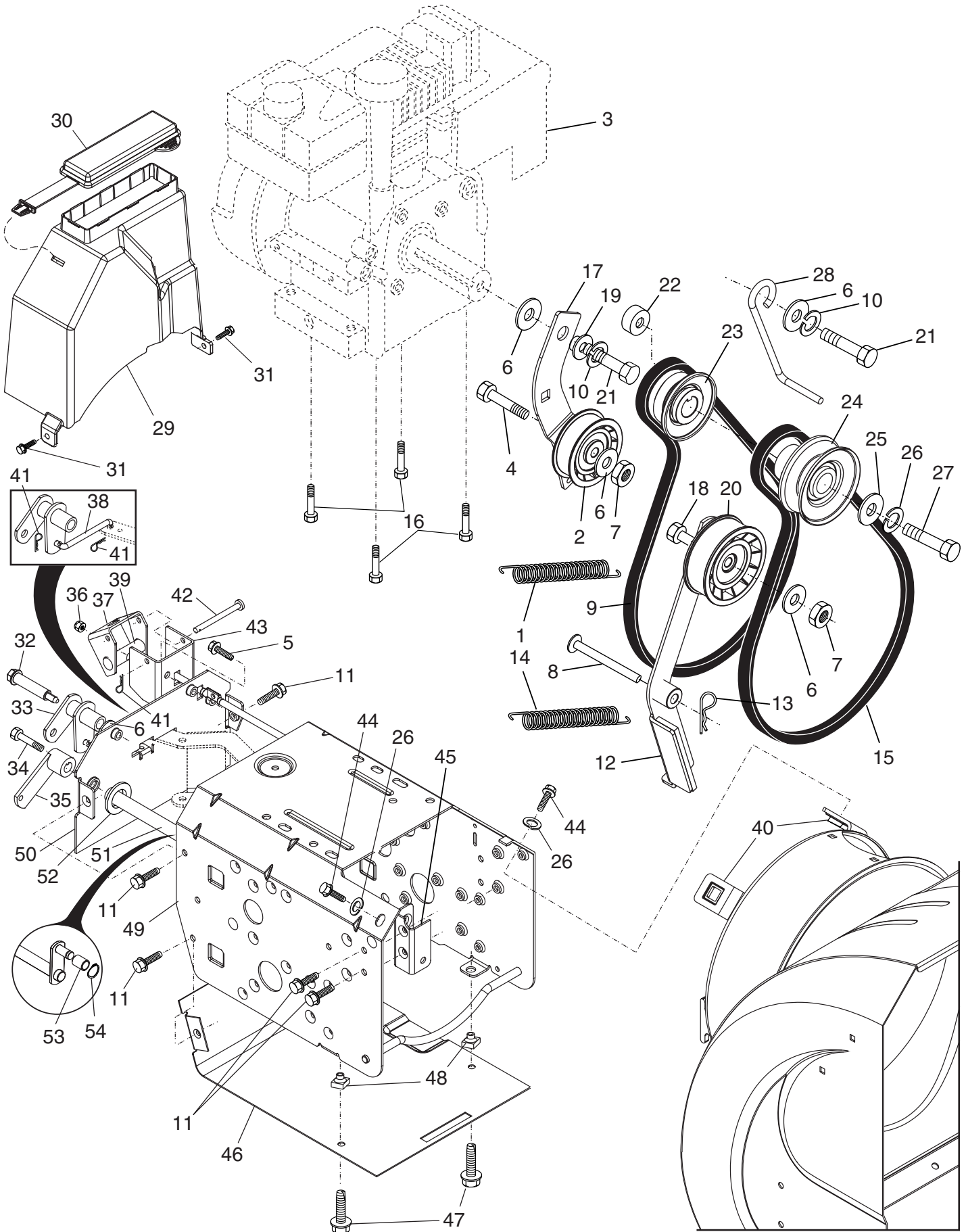
**NOTE:** All component dimensions given in U.S. inches  
1 inch = 25.4 mm



# REPAIR PARTS

# SNOW THROWER - MODEL NUMBER PP8527ESA

## CHASSIS / ENGINE / PULLEYS



# REPAIR PARTS

# SNOW THROWER - MODEL NUMBER PP8527ESA

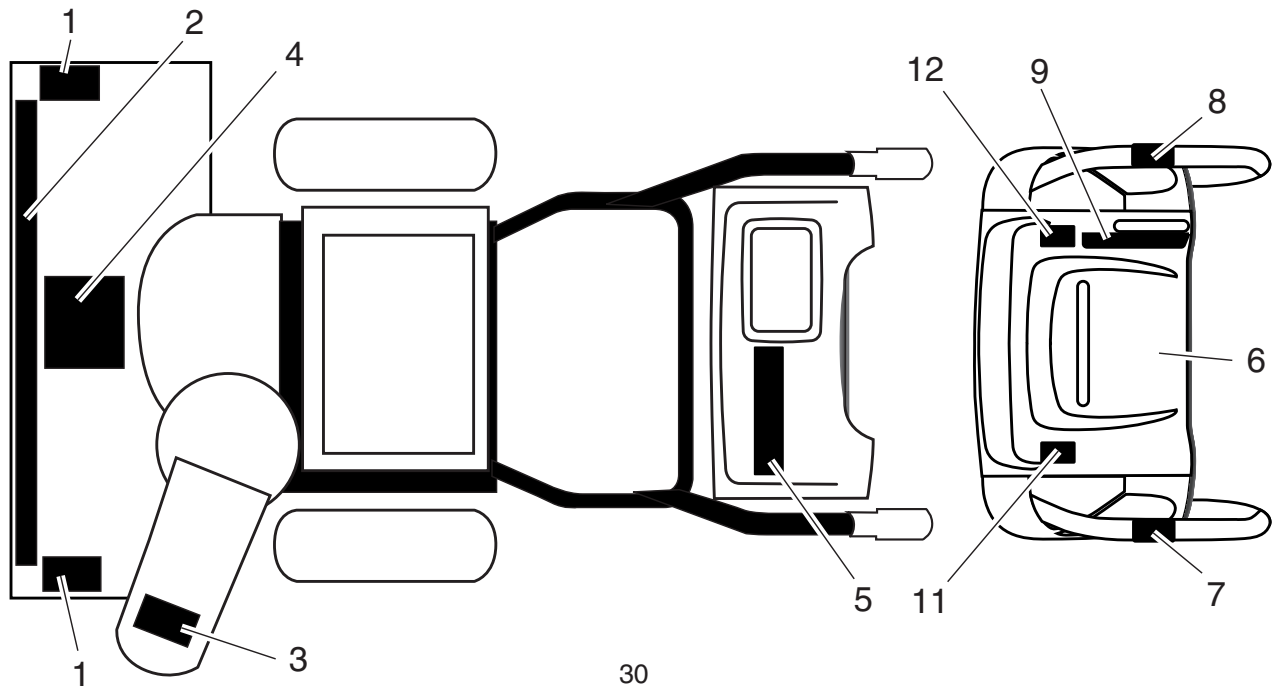
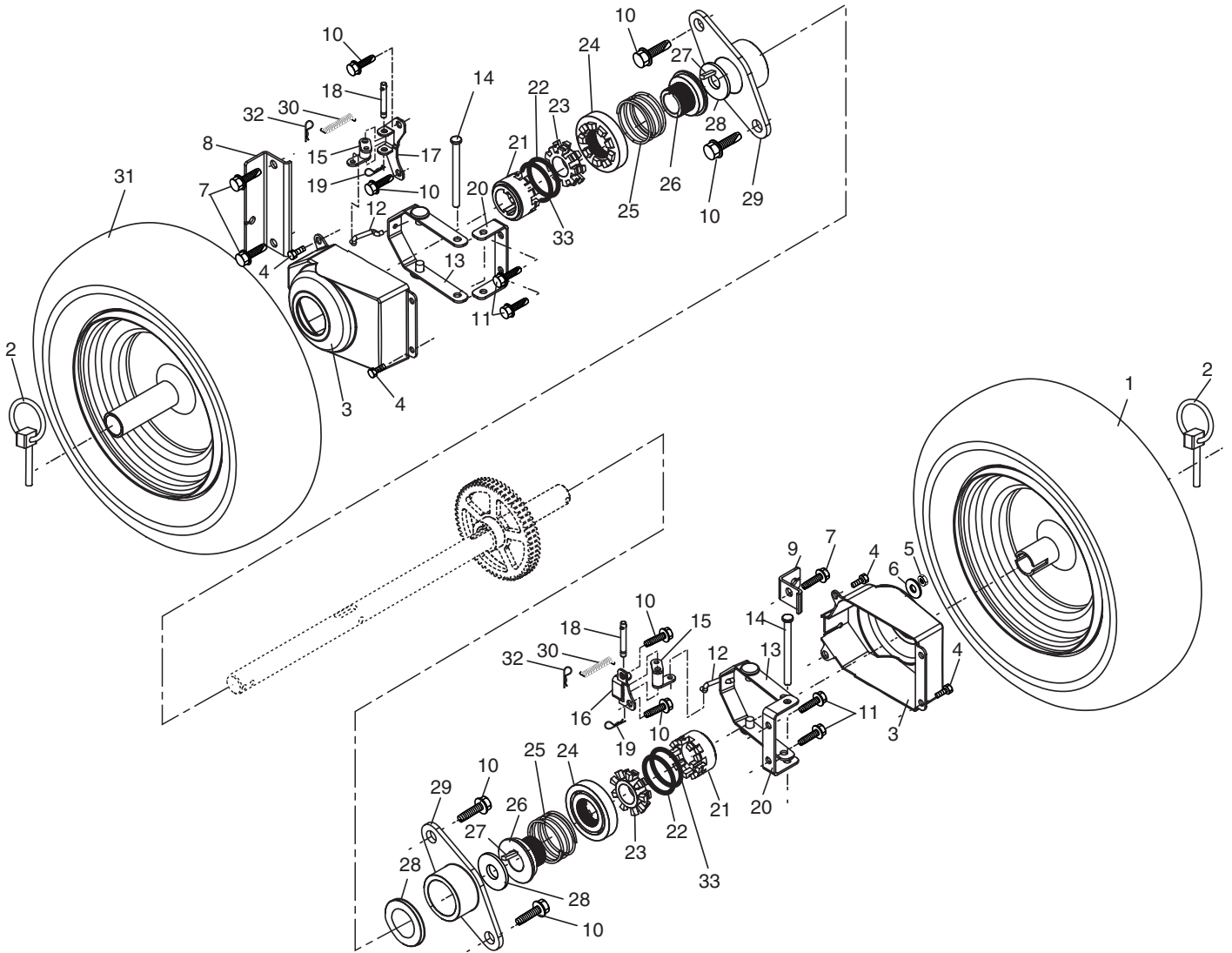
## CHASSIS / ENGINE / PULLEYS

| KEY NO. | PART NO.      | DESCRIPTION  |
|---------|---------------|--|
| 1       | 181044        | Spring, Traction Idler   |
| 2       | 180522        | Pulley, Idler (2-1/4)  |
| 3       | ---           | Engine, Tecumseh, Model Number HMSK85 (Order parts from Engine manufacturer) |
| 4       | 74780520      | Screw, Hex Head 5/16-18 x 1-1/4  |
| 5       | <b>150078</b> | Screw, Hex Washer Head 5/16-18 x 3/4   |
| 6       | 59289         | Washer, Flat   |
| 7       | 73930500      | Nut, Jam, Lock 5/16-18   |
| 8       | 175330        | Pin, Idler Pivot   |
| 9       | 179092        | V-Belt, Traction Drive   |
| 10      | 10040500      | Washer, Lock 5/16  |
| 11      | 17490508      | Shoulder Bolt, Hex Head 5/16-18 x 1/2  |
| 12      | 179259        | Impeller Idler Arm Assembly  |
| 13      | 85179         | Retainer, Hairpin  |
| 14      | 178828        | Spring, Brake  |
| 15      | 183533        | V-Belt, Impeller Drive   |
| 16      | 150406        | Screw, Hex Head 3/8-16 x 1-1/4   |
| 17      | 179354X008    | Arm, Idler   |
| 18      | 74780524      | Screw, Hex Head 5/16-18 x 1-1/2  |
| 19      | 175331        | Bushing, Idler Pivot   |
| 20      | 180523        | Pulley, Idler (2-3/4)  |
| 21      | 74610516      | Screw, Hex Head 5/16-24 x 1  |
| 22      | 179371        | Spacer, Engine Pulley  |
| 23      | 180478        | Pulley, Engine, Traction Drive   |
| 24      | 179157        | Pulley, Engine, Impeller Drive   |
| 25      | 62735         | Washer, Flat 3/8   |
| 26      | 850263        | Washer, Lock 3/8   |
| 27      | 851084        | Screw, Hex Head 3/8-24 x 1-3/8   |
| 28      | 155452        | Guide, Belt  |
| 29      | 180465        | Cover, Belt  |
| 30      | 178830        | Cover, Toolbox   |
| 31      | 17490408      | Screw, Hex Head 1/4-20 x 1/2   |
| 32      | 179256        | Bolt, Shoulder 5/16-18   |
| 33      | 187853        | Bellcrank Shifter  |
| 34      | 180401        | Screw, Hex Head 1/4-28 x 3/4   |
| 35      | 179240        | Arm, Auger Control   |
| 36      | 73800500      | Nut, Lock 5/16-18  |
| 37      | 178833X479    | Bellcrank Assembly   |
| 38      | 187101        | Link, Speed Control  |
| 39      | 179064        | Trunnion, Clutch   |
| 40      | 178890        | Nut, Cage 3/8-16   |
| 41      | 700279        | Hairpin, Cotter 3/32 x 1/2   |
| 42      | 179065        | Pin, Bellcrank   |
| 43      | 179063X479    | Bracket, Bellcrank   |
| 44      | 74780624      | Screw, Hex Head 3/8-16 x 1-1/2   |
| 45      | 175324X479    | Pivot Bracket, Impeller Idler Arm  |
| 46      | 178624X479    | Pan, Frame Bottom  |
| 47      | 71020512      | Screw, Hex Head 5/16-18 x 3/4  |
| 48      | 181156        | Nut, Speed 5/16-18   |
| 49      | 183852X428    | Frame Assembly   |
| 50      | 187715X428    | Plate, Frame End   |
| 51      | 179068X008    | Shaft, Auger Control   |
| 52      | 57079         | Washer, Hardened   |
| 53      | 179062        | Roller   |
| 54      | 12000010      | Ring, Retaining  |
| --      | <b>183854</b> | Power Cord (not shown)   |

**NOTE:** All component dimensions given in U.S. inches. 1 inch = 25.4 mm

**REPAIR PARTS**  
**WHEELS / DECALS**

**SNOW THROWER - MODEL NUMBER PP8527ESA**



# REPAIR PARTS

## WHEELS / DECALS

# SNOW THROWER - MODEL NUMBER PP8527ESA

| KEY NO. | PART NO.   | DESCRIPTION                             |
|---------|------------|---|
| 1       | 187872     | Wheel Assembly, 16", Power Steering, LH |
| 2       | 155443     | Pin, Klik 1/4                           |
| 3       | 181843     | Cover, Power Steering                   |
| 4       | 184471     | Screw, Hex Head #10-24 x 1/2            |
| 5       | 73800500   | Nut, Lock 5/16-18                       |
| 6       | 155415     | Washer, Flat 5/16                       |
| 7       | 71210616   | Screw, Hex Head 3/8-16 x 1              |
| 8       | 185603X479 | Bracket, Steer Cable RH                 |
| 9       | 185602X479 | Bracket, Steer Cable LH                 |
| 10      | 146315     | Screw, Hex Head 5/16-18 x 3/4           |
| 11      | 17490508   | Screw, Hex Head 5/16-18 x 1/2           |
| 12      | 184393     | Link, Steering Lever                    |
| 13      | 185403X479 | Lever Assembly, Steering                |
| 14      | 182015     | Pin, Steering Lever                     |
| 15      | 184361     | Bellcrank Assembly                      |
| 16      | 181982     | Bracket Assembly, LH Steering           |
| 17      | 182063     | Bracket Assembly, RH Steering           |
| 18      | 181847     | Pin, Steering Bellcrank                 |
| 19      | 85179      | Retainer, Hairpin                       |
| 20      | 179148X479 | Bracket, Lever Assembly                 |
| 21      | 179141     | Driver, Wheel                           |
| 22      | 182466     | Ring, Wire Retainer                     |
| 23      | 179136     | Lobe, Wheel                             |
| 24      | 179138     | Slide, Clutch                           |
| 25      | 179139     | Spring, Clutch Slide                    |
| 26      | 179137     | Lobe, Axle                              |
| 27      | 178879     | Key, Square 1/4                         |
| 28      | 174697     | Washer, Thrust (1")                     |
| 29      | 179830     | Bearing, Axle                           |
| 30      | 184453     | Spring, Return                          |
| 31      | 187874     | Wheel Assembly, 16", Power Steering, RH |
| 32      | 700279     | Clip, Retainer                          |
| 33      | 12000045   | Ring, Retaining                         |

| KEY NO. | PART NO. | DESCRIPTION                          |
|---------|----------|--------------------------------------|
| 1       | 181037   | Decal, Danger                        |
| 2       | 187871   | Decal, Poulan Pro, 8.5HP/27" (Large) |
| 3       | 181035   | Decal, Danger, Deflector             |
| 4       | 181042   | Decal, Danger                        |
| 5       | 187870   | Decal, Poulan Pro, 8.5HP/27" (Small) |
| 6       | 181033   | Decal, Instruction                   |
| 7       | 155798   | Decal, Traction Lever                |
| 8       | 155800   | Decal, Auger Lever                   |
| 9       | 181039   | Decal, Speed Control                 |
| 11      | 183907   | Decal, LH Trigger                    |
| 12      | 183905   | Decal, RH Trigger                    |
| --      | 187887   | Owner's Manual (English)             |
| --      | 187888   | Owner's Manual (French)              |

**NOTE:** All component dimensions given in U.S. inches  
1 inch = 25.4 mm