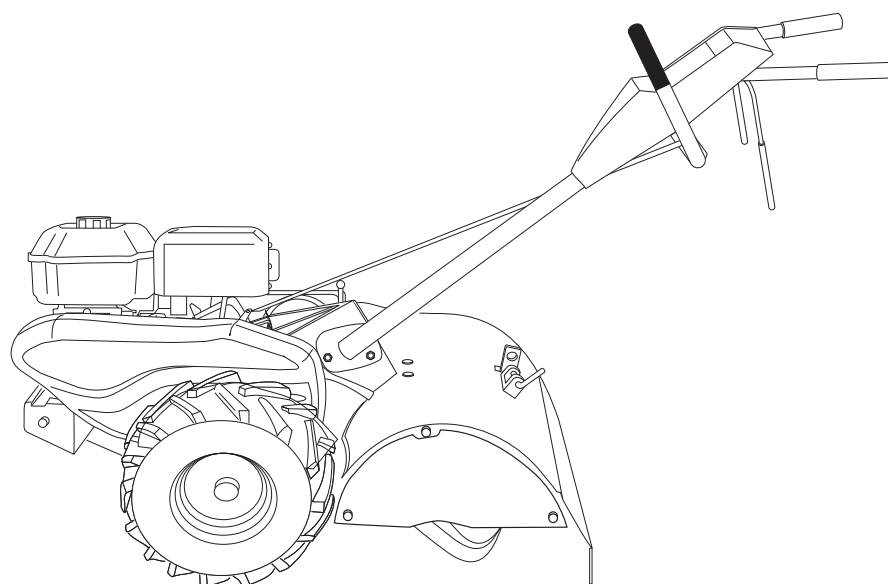


# **Poulan PRO**



## **REPAIR PARTS MANUAL**

**MODEL:**

**RT900**

**FRONT TINE TILLER**

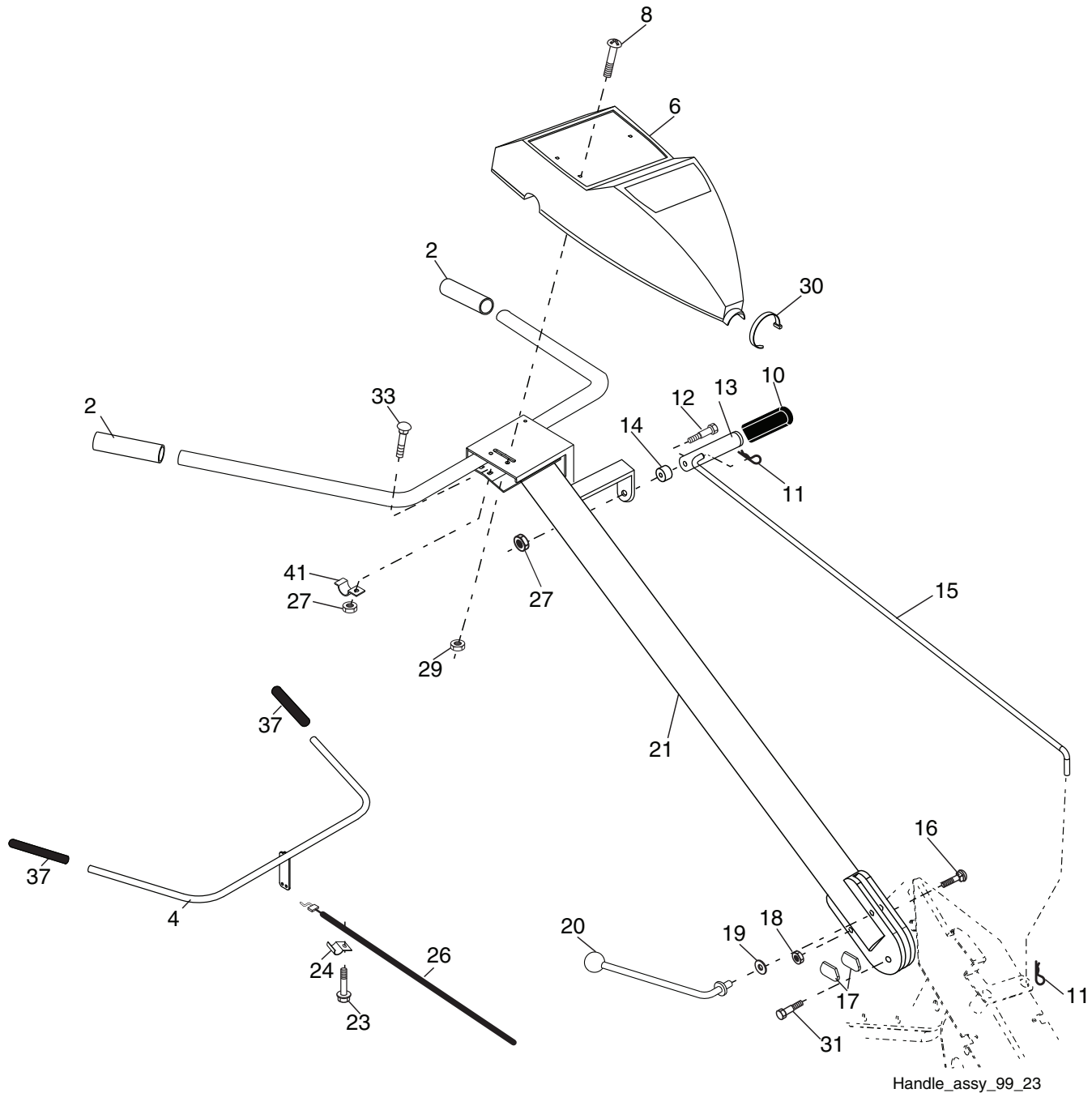
**ALWAYS WEAR EYE PROTECTION DURING OPERATION**

Visit our website: [www.poulan-pro.com](http://www.poulan-pro.com)

**432123**

12.21.09 TH  
Printed in U.S.A.

# FRONT TINE TILLER - - MODEL NUMBER RT900 (MFG. ID. NO. 96092002100) HANDLE ASSEMBLY



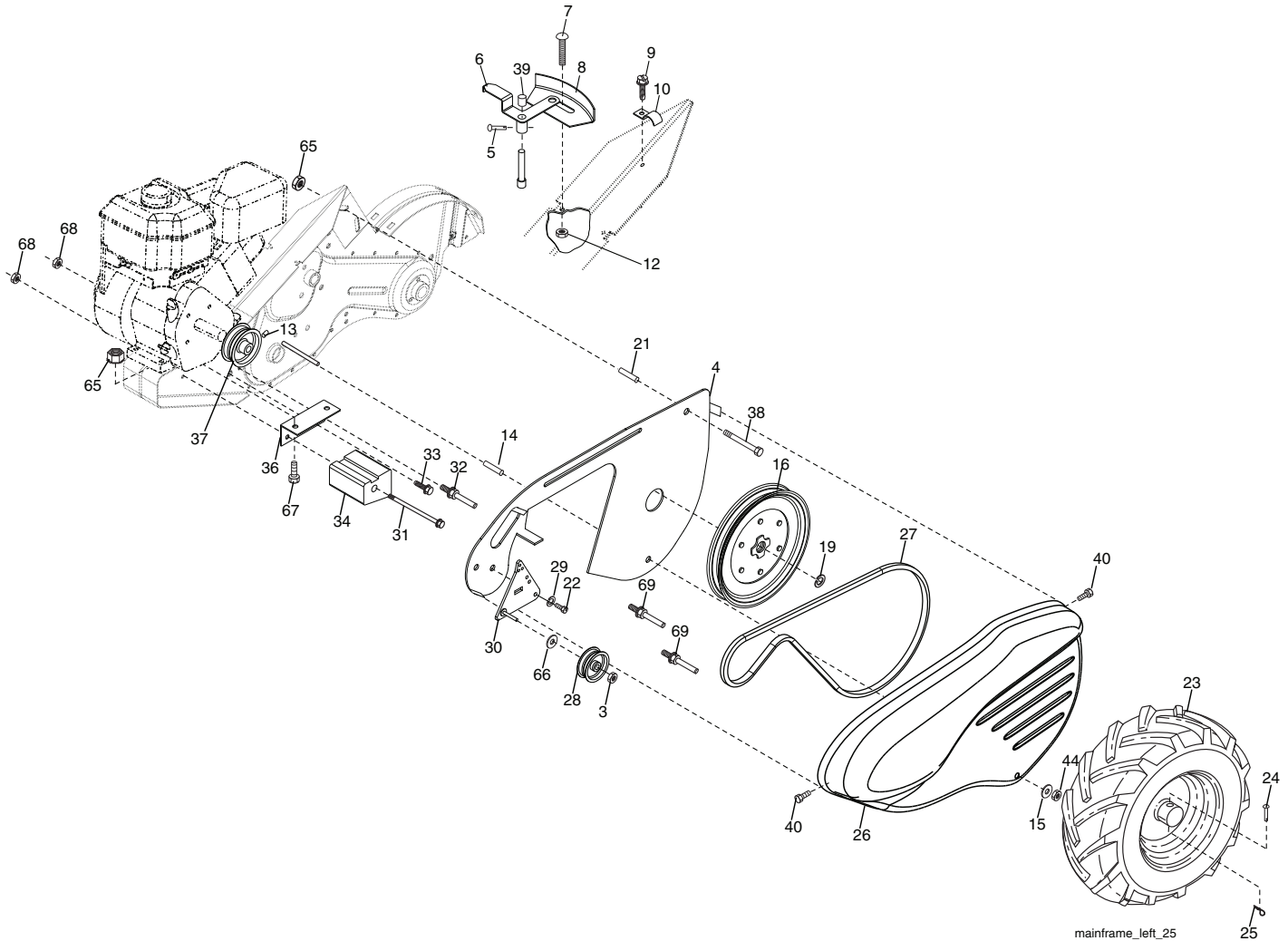
KEY NO.	PART NO.	DESCRIPTION
2	427643	Grip, Handle
4	159228	Bar Assembly, Control
6	180687	Panel, Control
8	71191008	Screw, Phd. #10-24
10	8206H	Grip, Handle
11	4497H	Clip, Hairpin
12	81328	Bolt, Shoulder
13	187497	Handle, Shift
14	109313X	Grommet, Rubber
15	109337X	Rod, Shift
16	72110608	Bolt, Carriage 3/8-16 x 1 Gr. 5
17	109229X	Lock, Handle
18	73680600	Nut, Crownlock 3/8-16 unc
19	19131611	Washer 13/32 x 1 x 11 Ga.
20	109228X	Lever, Lock, Handle

KEY NO.	PART NO.	DESCRIPTION
21	180517X431	Handle
23	86777	Screw, Hex Washer Hd. Slotted #10-24 x 1/2
24	9484R	Clip
26	159231	Cable, Clutch
27	73900400	Nut, Hex Flange 1/4-20 unc
29	73731000	Nut, Keps #10-24 unc
30	104164X	Tie, Cable
31	150696	Bolt, Pivot
33	72140404	Bolt, Carriage 1/4-20 unc x 1/2
37	102604X	Grip, Bar, Control
41	102744X	Clamp, Bar, Control

**NOTE:** All component dimensions are given in U.S. inches.  
1 inch = 25.4 mm

# FRONT TINE TILLER - - MODEL NUMBER RT900 (MFG. ID. NO. 96092002100)

## MAINFRAME, LEFT SIDE

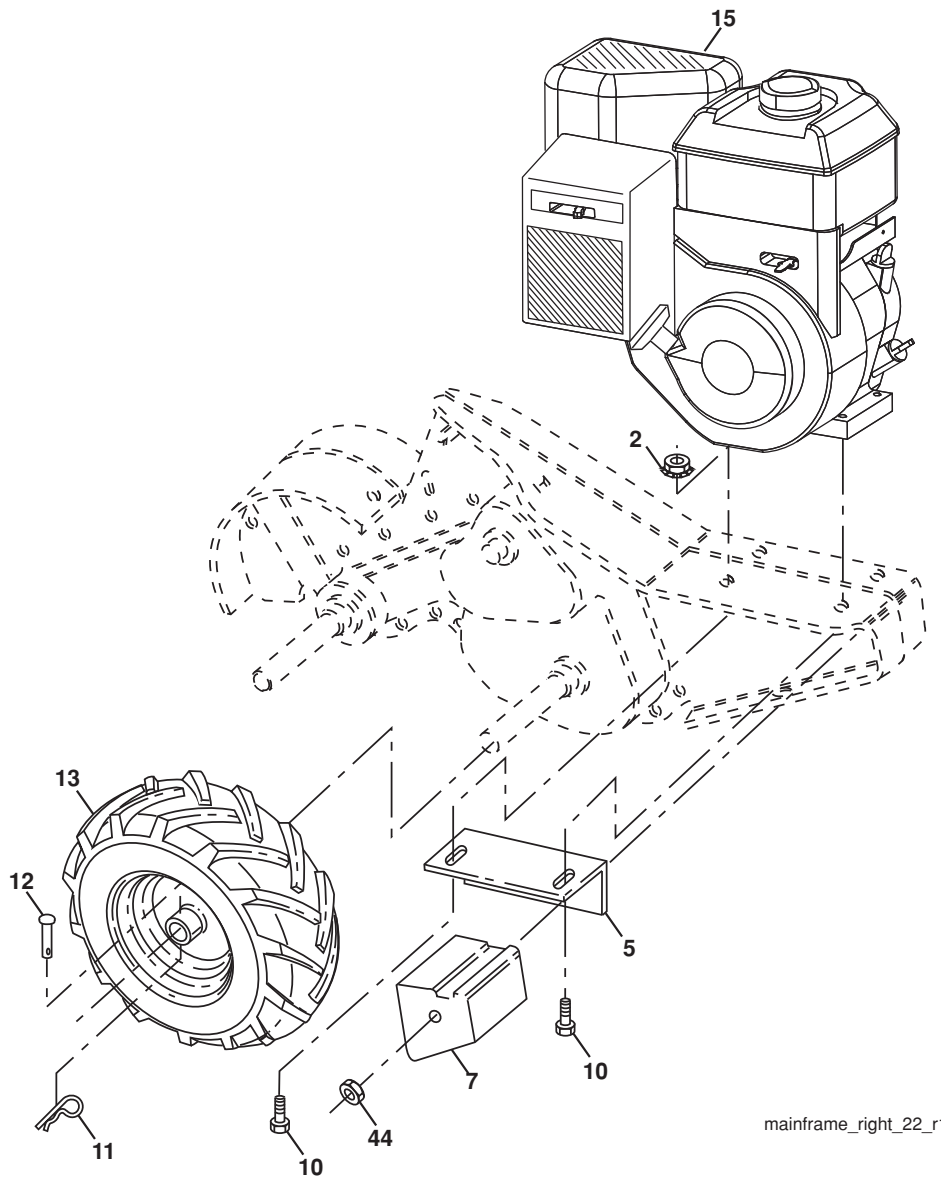


mainframe\_left\_25

KEY NO.	PART NO.	DESCRIPTION	KEY NO.	PART NO.	DESCRIPTION
3	73220600	Nut, Hex 3/8-16	27	132801	Belt, V
4	432420	Shield, Inner Belt Guard RT	28	104679X	Pulley, Idler
5	164329	Screw, Shift Lever	29	12000032	Ring, Klip
6	110111X	Lever, Shift	30	159229	Bracket, Idler
7	72110404	Bolt, Carriage 1/4-20 x 1/2 Gr. 5	31	102194X	Bolt, Fin Hex 3/8-16 unc x 10
8	8700J	Plate, Shift Indicator	32	102141X	Shaft, Idler Arm
9	86777	Screw, Hex, Washer Head, Slotted #10-24 x 1/2	33	74760616	Bolt, Hex 3/8-16 x 1
10	9484R	Clip	34	102173X	Counterweight, L. H.
12	73510400	Nut, Keps Hex 1/4-20 unc	36	102331X	Bracket, Reinforcement, L. H.
13	23230506	Screw, Set, Hex 5/16-18 x 3/8	37	130812	Sheave, Engine
14	156117	Spacer, Split 0.327 x 0.42 x 1.220	38	74760544	Bolt, Fin Hex 5/16-18 unc x 2-3/4
15	19111116	Washer 11/32 x 11/16 x 16 Ga.	39	140062	Cap, Plunger Blk
16	145102	Sheave, Transmission	40	170488	Screw, Hex Wsh Slit #10-24 x 1/2
19	12000028	Retainer, Ring	44	73800500	Nut, Lock Hex w/Ins 5/16-18 unc PL
21	110652X	Spacer, Split 0.327 x 0.42 x 2.09	65	73970500	Nut, Lock Hex Flange
22	74770508	Bolt, Fin Hex 5/16-24 unf x 1/2	66	19131312	Washer 13/32 x 13/16 x 12 Ga.
23	102190X	Tire	67	74760524	Bolt, Fin Hex 5/16-18 unc x 1-1/2
	183122X428	Rim	68	73510600	Nut, Keps Hex 3/8-16 unc
	795R	Tire, Valve	69	164173	Keeper, Belt
24	126875X	Rivet, Drilled			
25	4497H	Clip, Hairpin			
26	165501X421	Guard, Belt			

**NOTE:** All component dimensions are given in U.S. inches.  
1 inch = 25.4 mm

**FRONT TINE TILLER - - MODEL NUMBER RT900 (MFG. ID. NO. 96092002100)**  
**MAINFRAME, LEFT SIDE**



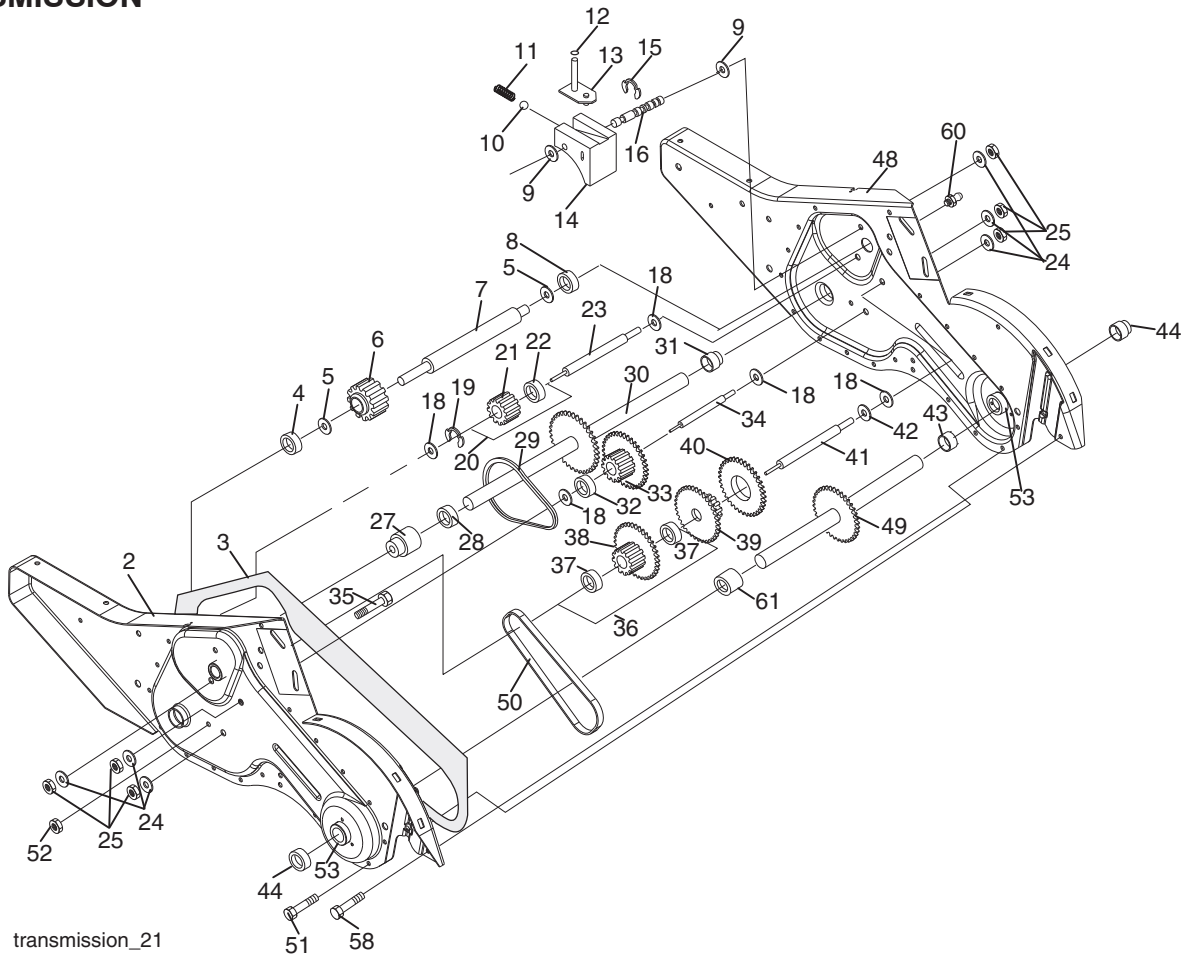
mainframe\_right\_22\_r1

KEY NO.	PART NO.	DESCRIPTION
2	73970500	Locknut, Hex, Flange 5/16-18
5	102332X	Bracket Reinforcement RH
7	102173X	Counter Weight,
10	74760524	Bolt, Hex 5/16-18 x 1-1/2
11	4497H	Clip, Hairpin
12	126875X	Rivet, Drilled
13	102190X	Tire
	183122X428	Rim
	795R	Tire Valve
15	-----	Engine, B&S Model No. 121002-1380-B8 (Order parts from engine manufacturer)
44	73510600	Nut, Keps, Hex 3/8-16 unc

**NOTE:** All component dimensions are given in U.S. inches.  
 1 inch = 25.4 mm

# FRONT TINE TILLER - - MODEL NUMBER RT900 (MFG. ID. NO. 96092002100)

## TRANSMISSION

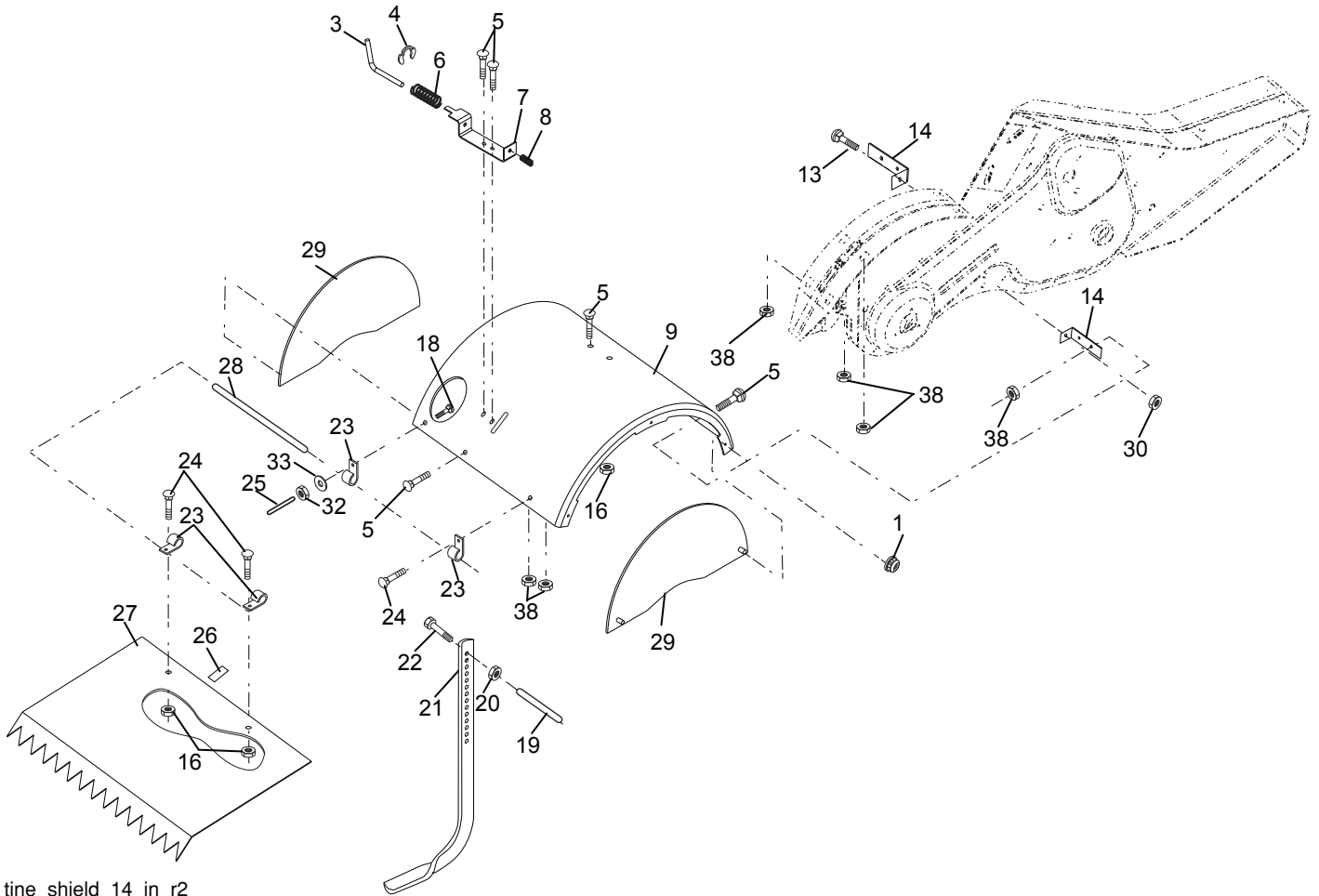


transmission\_21

KEY NO.	PART NO.	DESCRIPTION	KEY NO.	PART NO.	DESCRIPTION
1	188554	Transmission Assembly (Includes Key Nos. 2-53)	30	150737	Ground Shaft Assembly
2	188482	Gearcase, L.H. w/Bearing (Includes Key No. 4)	31	143008	Bearing, Shaft, Ground Drive R.H.
3	431022	Gasket, Gearcase	32	106388X	Spacer 0.70 x 1.00 x 1.150
4	5020J	Bearing, Needle	33	102121X	Sprocket and Gear Assembly
5	1370H	Washer, Thrust 5/8 x 1.10 x 1/32	34	102112X	Shaft, Reduction (2nd)
6	137335	Pinion, Input	35	102101X	Screw, Whiz, Lock 5/16-18 x 3-1/2
7	145101	Shaft, Input	36	154355	Sprocket Assembly w/Bearing (Includes Key Nos. 37 and 38)
8	4895H	Bearing, Needle	37	4422J	Bearing, Needle
9	154467	Washer, Seal	38	154356	Sprocket, Tine
10	7392M	Ball, Steel	39	105345X	Gear, Cluster, Red 1st & 2nd
11	100371K	Spring, Shift, Fork	40	105346X	Gear, Reverse
12	106160X	O-Ring	41	8358J	Shaft, Reduction (1st)
13	142145	Asm. Bracket Shift	42	4220R	Washer, Thrust
14	8353J	Fork, Shift	43	106146X	Spacer 1.01 x 1.75 x 0.760
15	12000039	Ring, Klip	44	155236	Seal Asm, Oil
16	154466	Shaft, Shift	48	188485	Gearcase, R.H. w/Bearing (Includes Key No. 8)
18	4358J	Washer	49	431485	Shaft, Tine
19	12000040	Ring, Klip	50	106147X	Chain, Roller #50-50 Pitch
20	102114X	Gear, Assembly, Reverse Idler (Includes Key Nos. 21 and 22)	51	17720408	Screw 1/4-20 x 1/2
21	102115X	Gear, Reverse Idler	52	73220500	Nut, Hex 5/16-18
22	6803J	Bearing, Needle	53	165140	Kit, Bearing
23	102111X	Shaft, Reverse Idler	58	179520	Bolt Shoulder
24	10040700	Washer, Lock 7/16	60	183226	Fitting Grease
25	73610700	Nut, Hex 7/16-20	61	431015	Spacer 1.015 x 1.50 x .650
27	143009	Bearing, Shaft, Ground Drive L.H.	--	6066J	Grease, Plastilube #1
28	106390X	Spacer 0.765 x 1.125 x 1.23			
29	102134X	Chain #35-50 Pitch			

**NOTE:** All component dimensions are given in U.S. inches.  
1 inch = 25.4 mm

**FRONT TINE TILLER - - MODEL NUMBER RT900 (MFG. ID. NO. 96092002100)**  
**TINE SHIELD**



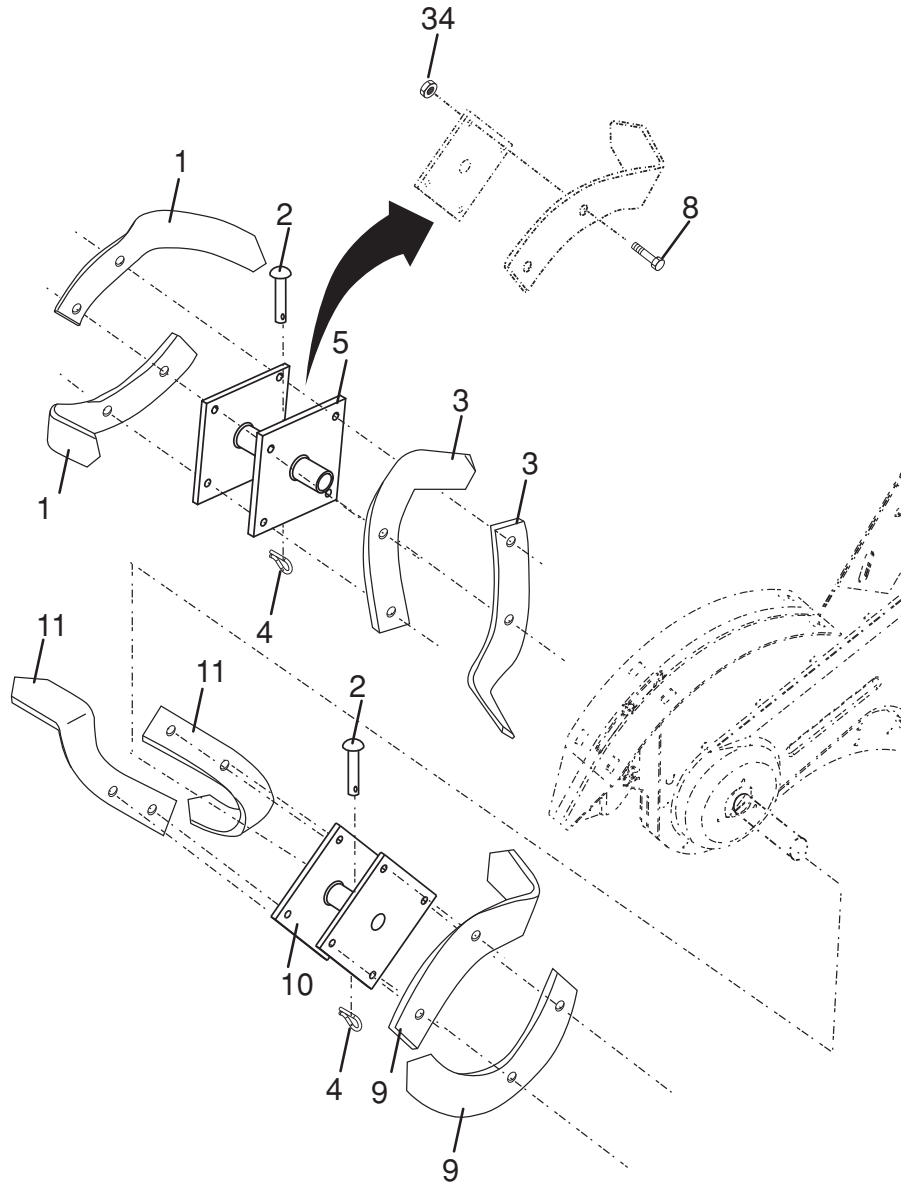
tine\_shield\_14\_in\_r2

KEY NO.	PART NO.	DESCRIPTION
1	73900500	Nut, Lock Hex Flange 5/16-18
3	8393J	Pin, Stake, Depth
4	12000035	Ring, Klip
5	180847	Bolt 5/16-18 x 3/4 ZNC
6	8394J	Spring
7	8392J	Bracket, Latch
8	109230X	Spring, Depth Stake
9	102152X421	Shield, Tine
13	72110510	Bolt, Carriage 5/16-18 x 1-1/4
14	124343X	Bracket, Shield Tine
16	73900400	Nut, Hex Flange 1/4-20 unc
18	72040410	Bolt, Carriage 1/4-20 x 1-1/4 Gr. 5
19	102701X	Grip
20	73220600	Nut, Hex 3/8-16
21	102156X	Stake, Depth

KEY NO.	PART NO.	DESCRIPTION
22	74930632	Bolt, Hex 3/8-16 x 2
23	4440J	Hinge
24	72140404	Bolt, Carriage 1/4-20 x 1/2 Gr. 5
25	6712J	Cap, Vinyl
26	109227X	Pad, Idler
27	102686X421	Shield, Leveling
28	120588X	Pin, Hinge
29	197761X421	Shield, Side
30	73970500	Nut Lock Hex Flange
32	73220400	Nut Fin Hex 1/4-20 unc
33	10040400	Washer Lock Hvy Helical 1/4
38	73510500	Nut, Keps 5/16-18 unc

**NOTE:** All component dimensions are given in U.S. inches.  
 1 inch = 25.4 mm

**FRONT TINE TILLER - - MODEL NUMBER RT900 (MFG. ID. NO. 96092002100)**  
**TINE ASSEMBLY**



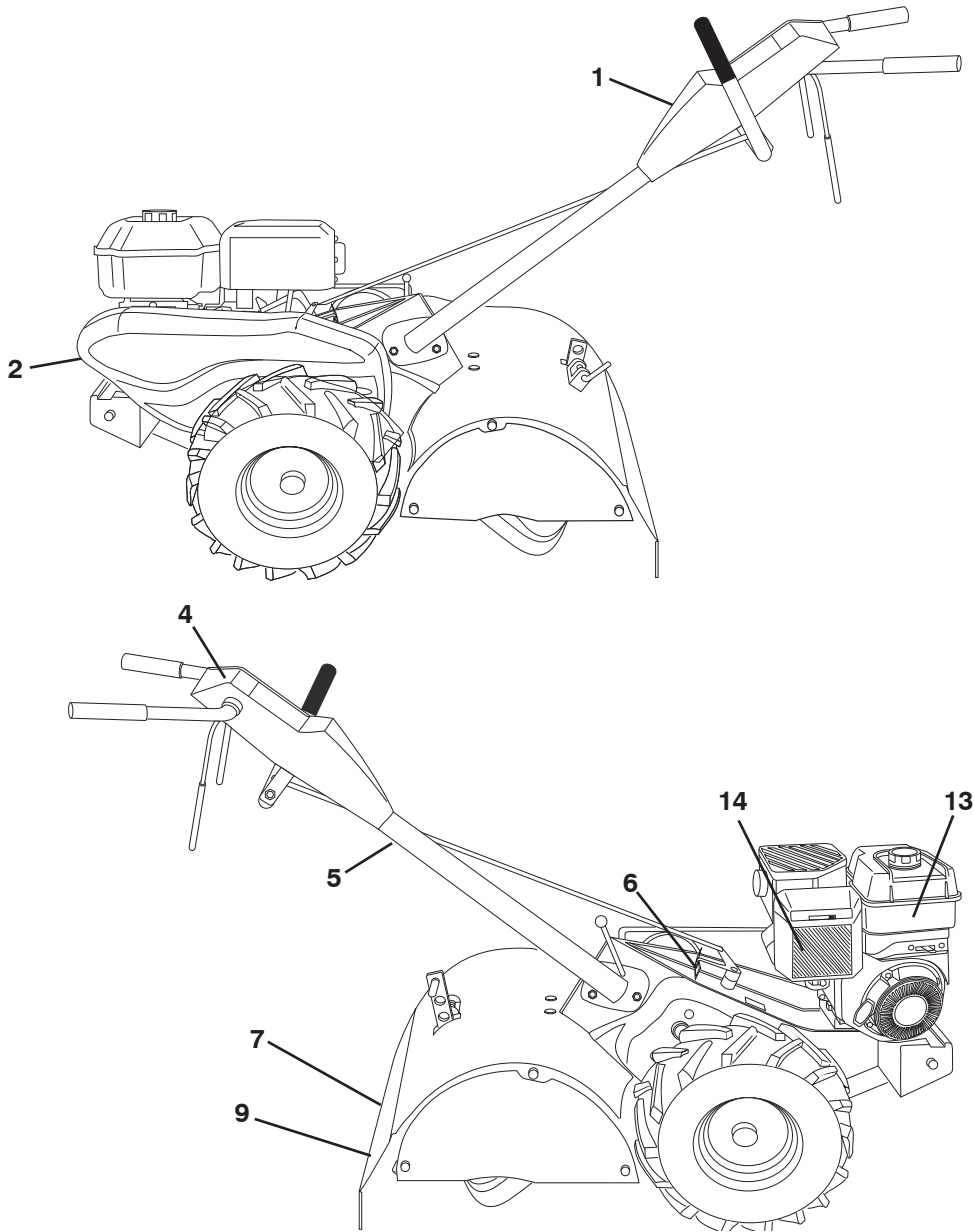
tine\_ipb\_99\_2\_r1

KEY NO.	PART NO.	DESCRIPTION
1	4459J	Tine, Outer, L.H.
2	132673	Clevis Pin
3	6554J	Tine, Inner, L.H.
4	3146R	Retainer, Spring Zinc
5	132721	Assembly, Hub and Plate, L.H.
8	74610616	Bolt, Hex 3/8-24 x 1
9	4460J	Tine, Outer, R.H.

KEY NO.	PART NO.	DESCRIPTION
10	132722	Assembly, Hub and Plate, R.H.
11	6555J	Tine, Inner, R.H.
34	73540600	Nut Crownlock 3/8-24

**NOTE:** All component dimensions given in U.S. inches.  
 1 inch = 25.4 mm

**FRONT TINE TILLER - - MODEL NUMBER RT900 (MFG. ID. NO. 96092002100)  
DECALS**



KEY NO.	PART NO.	DESCRIPTION
1	173196	Decal, CNTRL PNL
2	432225	Decal, Blt Grd
4	401557	Decal, Control, Panel Oper.
5	110614X	Decal, Hand Placement
6	102180X	Decal, Shift Indicator
7	422972	Decal, Caution
9	120076X	Decal, Warning, Rotating Tines
13	433412	Decal, Engine Tank
14	433411	Decal, Air Cleaner
--	432121	Manual, Operator's, English/French
--	432123	Manual, Repair Parts, English



---

# SERVICE NOTES

---

---

# SERVICE NOTES

---

---

# SERVICE NOTES

---

# Poulan PRO

## PARTS AND SERVICE

This product has been expertly engineered and carefully manufactured to rigid quality standards. As with all mechanical products, some adjustments or part replacement may be necessary during the life of your unit.

For Parts and service, contact our authorized distributor: call 1-800-849-1297

- For replacement parts, have available the following information:
  - a. Model Number/Manufacturer's I.D. Number
  - b. Description of part.

For Technical Assistance: call 1-800-829-5886

For a Parts Manual, go to our website: [www.poulan-pro.com/support.asp](http://www.poulan-pro.com/support.asp)

**NOTE:** HOP provides parts and service through its authorized distributors and dealers; therefore, all requests for parts and service should be directed to your local dealer(s). The philosophy of HOP is to continually improve all of its products. If the operating characteristics or the appearance of your product differs from those described in this Manual, please contact your local dealer for updated information and assistance.