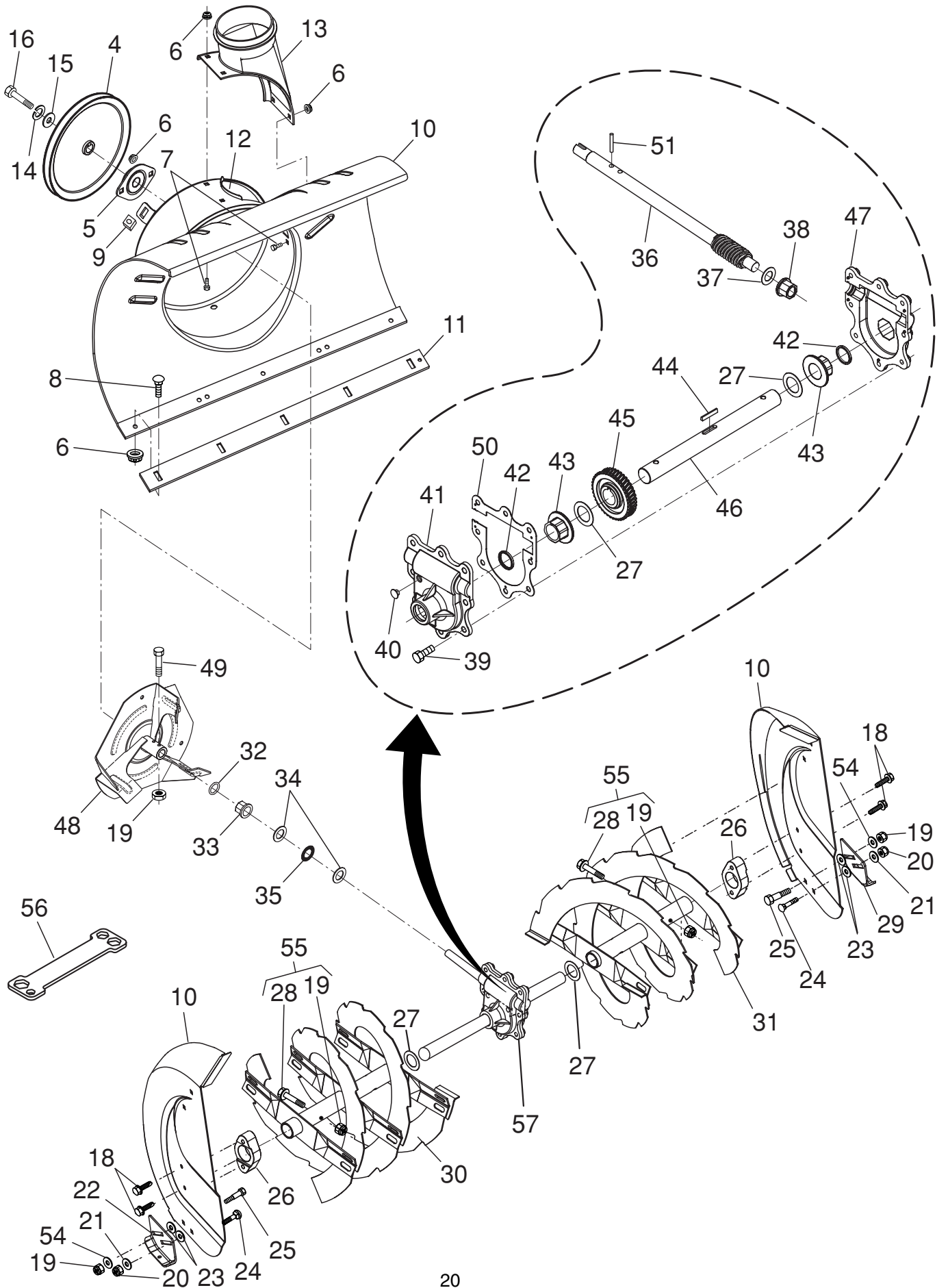


REPAIR PARTS

SNOW THROWER - MODEL PP930ES (96192000600)

AUGER HOUSING / IMPELLER ASSEMBLY



REPAIR PARTS SNOW THROWER - MODEL PP930ES (96192000600)
AUGER HOUSING / IMPELLER ASSEMBLY

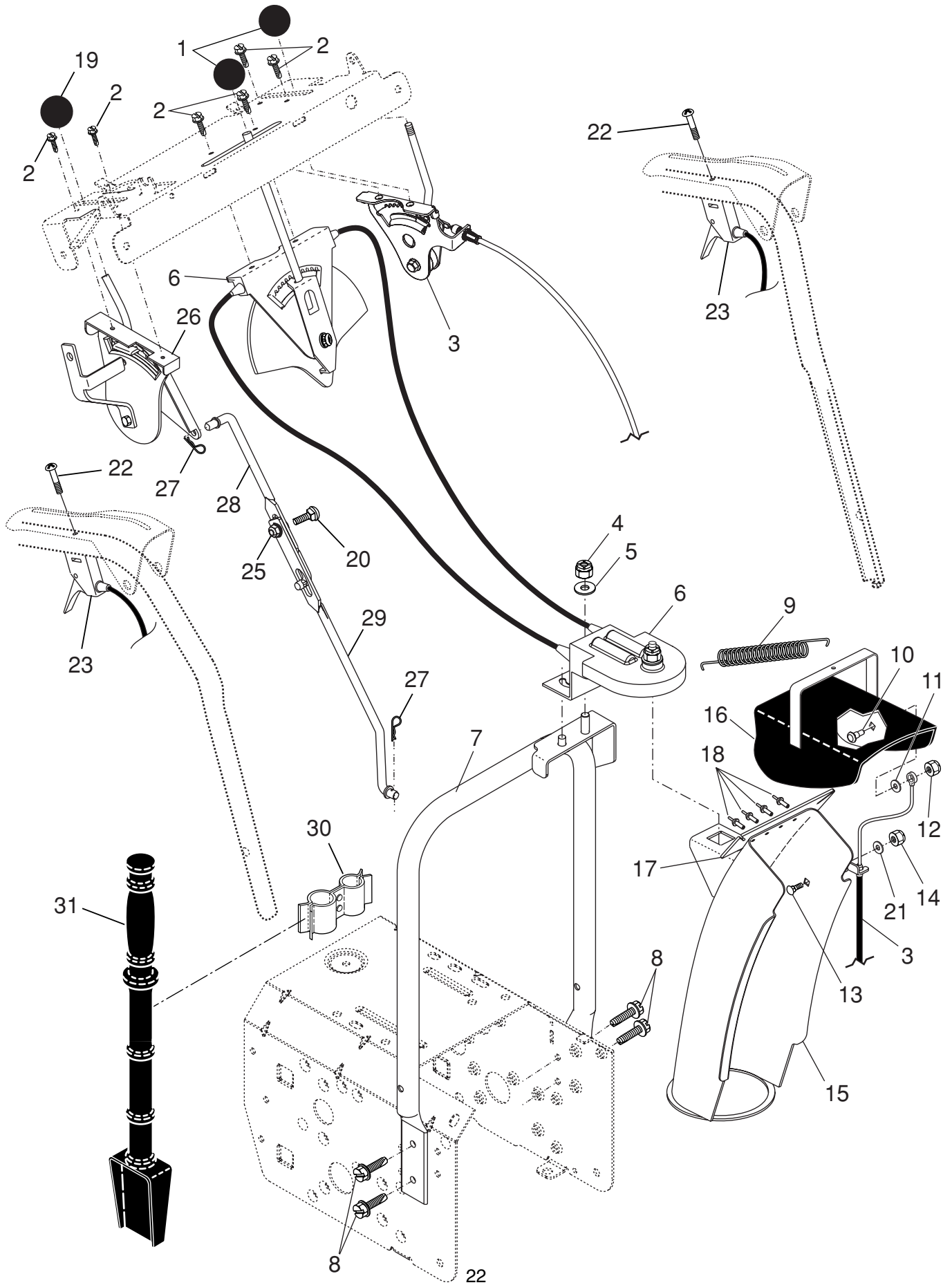
KEY NO.	PART NO.	DESCRIPTION
4	191079	Pulley, Impeller
5	188909	Bearing Assembly, Flange
6	155377	Nut, Hex Flange 5/16-18
7	180355	Bolt, Flat Head, Carriage 5/16-18 x 5/8
8	72270505	Bolt, Carriage 5/16-18
9	178820	Nut, Cage 3/8-16
10	178826X428	Housing, Auger
11	178691X479	Bar, Scraper
12	178675X008	Bracket, Corner Discharge
13	175322	Base, Discharge Chute
14	19111507	Washer, Flat
15	10040500	Washer, Lock 5/16
16	74950512	Screw, Hex Head 5/16-18 x 3/4
18	179582	Screw, Hex Head 5/16 x 1
19	73800400	Nut, Hex Lock 1/4-20
20	73800500	Nut, Hex Lock 5/16-18
21	155415	Washer, Flat
22	178777X479	Skid Plate, RH
23	179246	Washer, Nylon, Friction
24	72270506	Bolt, Carriage 5/16-18 x 3/4
25	185600	Bolt, Shoulder
26	174658	Bearing, Auger
27	174697	Washer, Thrust, 1"
28	192090	Bolt, Shear
29	174762X479	Skid Plate, LH
30	198987X479	Auger Assembly, RH
31	198986X479	Auger Assembly, LH
32	174699	O-Ring
33	174700	Bushing, Flange 3/4
34	174681	Washer, Thrust 3/4
35	174684	Bearing, Thrust 3/4
36	174660	Shaft, Impeller
37	174683	Washer, Thrust 5/8
38	174686	Bushing, Flange 5/8
39	150078	Screw, Hex Head 5/16-18 x 3/4
40	86447	Plug, Case
41	174688	Housing, Gearbox, RH
42	174698	Seal, Oil
43	174701	Bushing, Flange, 1"
44	189282	Key, Square 1/4 x 1/4 x 7/8
45	174659	Gear, Worm
46	174657	Shaft, Auger
47	174687	Housing, Gearbox, LH
48	175321X479	Impeller Assembly
49	74780426	Screw, Hex Head 1/4-20 x 1-5/8
50	175311	Gasket, Gearbox
51	7836M	Pin, Roll 3/16 x 1-1/8
54	53847	Washer
55	188243	Kit, Shear (Contains 6 each of Key Numbers 19 and 28)
56	180684	Multi-Wrench
57	178878	Gearbox Assembly

NOTE: All component dimensions given in U.S. inches. 1 inch = 25.4 mm
IMPORTANT: Use only Original Equipment Manufacturer (O.E.M.) replacement parts.
 Failure to do so could be hazardous, damage your unit and void your warranty.

REPAIR PARTS

SNOW THROWER - MODEL PP930ES (96192000600)

CONTROL PANEL / DISCHARGE CHUTE



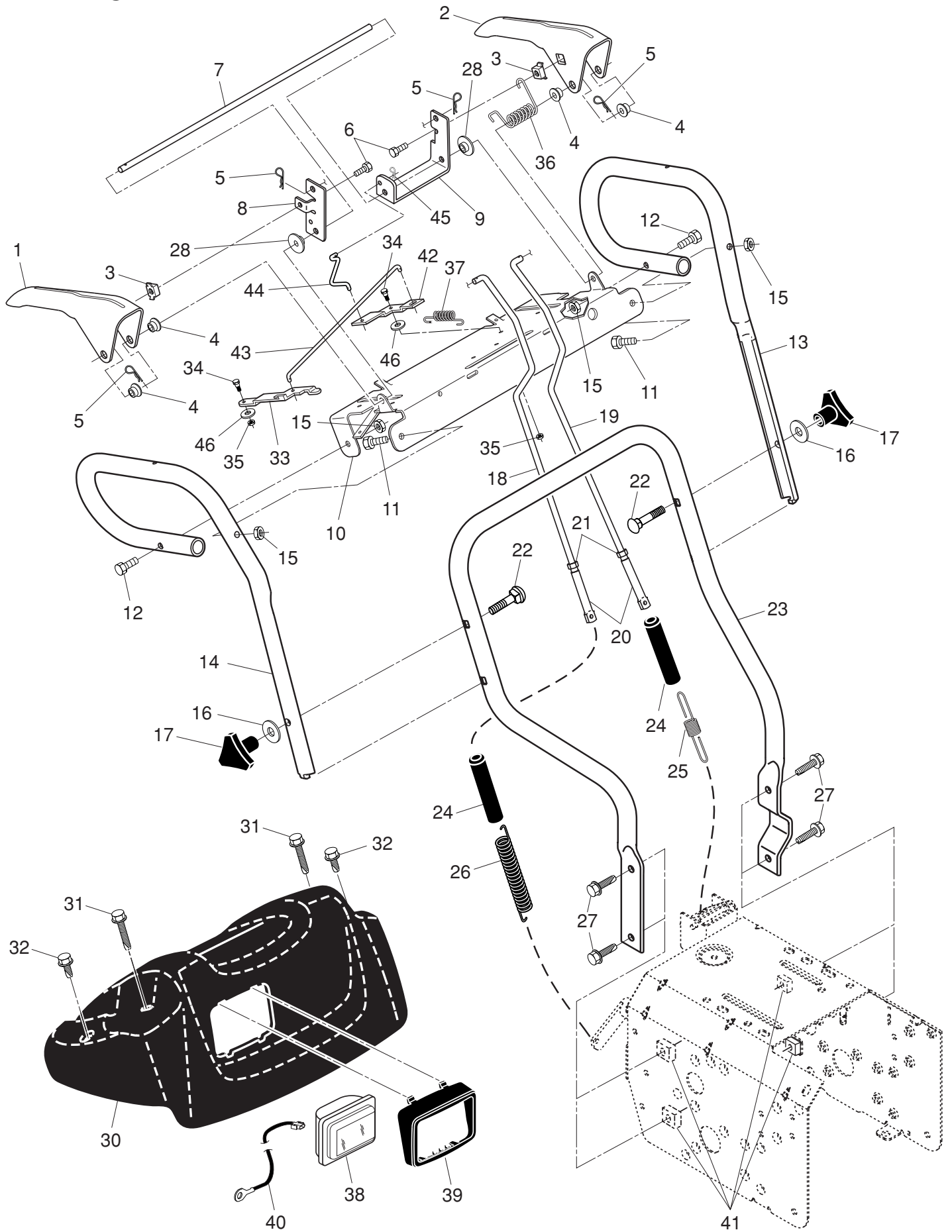
REPAIR PARTS SNOW THROWER - MODEL PP930ES (96192000600)
CONTROL PANEL / DISCHARGE CHUTE

KEY NO.	PART NO.	DESCRIPTION
1	183334	Knob, Lever
2	17501010	Screw #10-24 x 5/8
3	178674	Control Assembly, Deflector
4	73800600	Nut, Lock 3/8-16
5	19131316	Washer, Flat 3/8
6	178659	Control Assembly, Chute Rotater
7	178638X479	Support, Pivot
8	150078	Screw, Hex Head 5/16-18 x 3/4
9	184505	Spring, Deflector
10	179829	Bolt, Shoulder
11	179246	Washer, Friction, Nylon
12	73800400	Nut, Lock 1/4-20
13	72250505	Bolt, Carriage 5/16-18
14	73800500	Nut, Lock 5/16-18
15	178628X428	Chute Assembly
16	178633X428	Deflector Assembly
17	179145	Seal, Deflector
18	128415	Rivet, Blind
19	183333	Knob, Speed Control Lever
20	72270506	Bolt, Carriage 5/16-18 x 3/4
21	155415	Washer, Flat
22	74041024	Screw #10-24 x 1-1/2
23	188303	Control Assembly, Power Steering
25	155377	Nut, Lock 5/16-18
26	198875	Lever Assembly, Speed Control
27	169675	Retainer, Hairpin
28	180445	Rod, Upper, Speed Control
29	187716	Rod, Lower, Speed Control
30	192710	Clamp, Mounting, Clean-Out Tool
31	192199	Tool, Clean-Out

NOTE: All component dimensions given in U.S. inches. 1 inch = 25.4 mm
IMPORTANT: Use only Original Equipment Manufacturer (O.E.M.) replacement parts.
 Failure to do so could be hazardous, damage your unit and void your warranty.

REPAIR PARTS HANDLES

SNOW THROWER - MODEL PP930ES (96192000600)



REPAIR PARTS HANDLES

SNOW THROWER - MODEL PP930ES (96192000600)

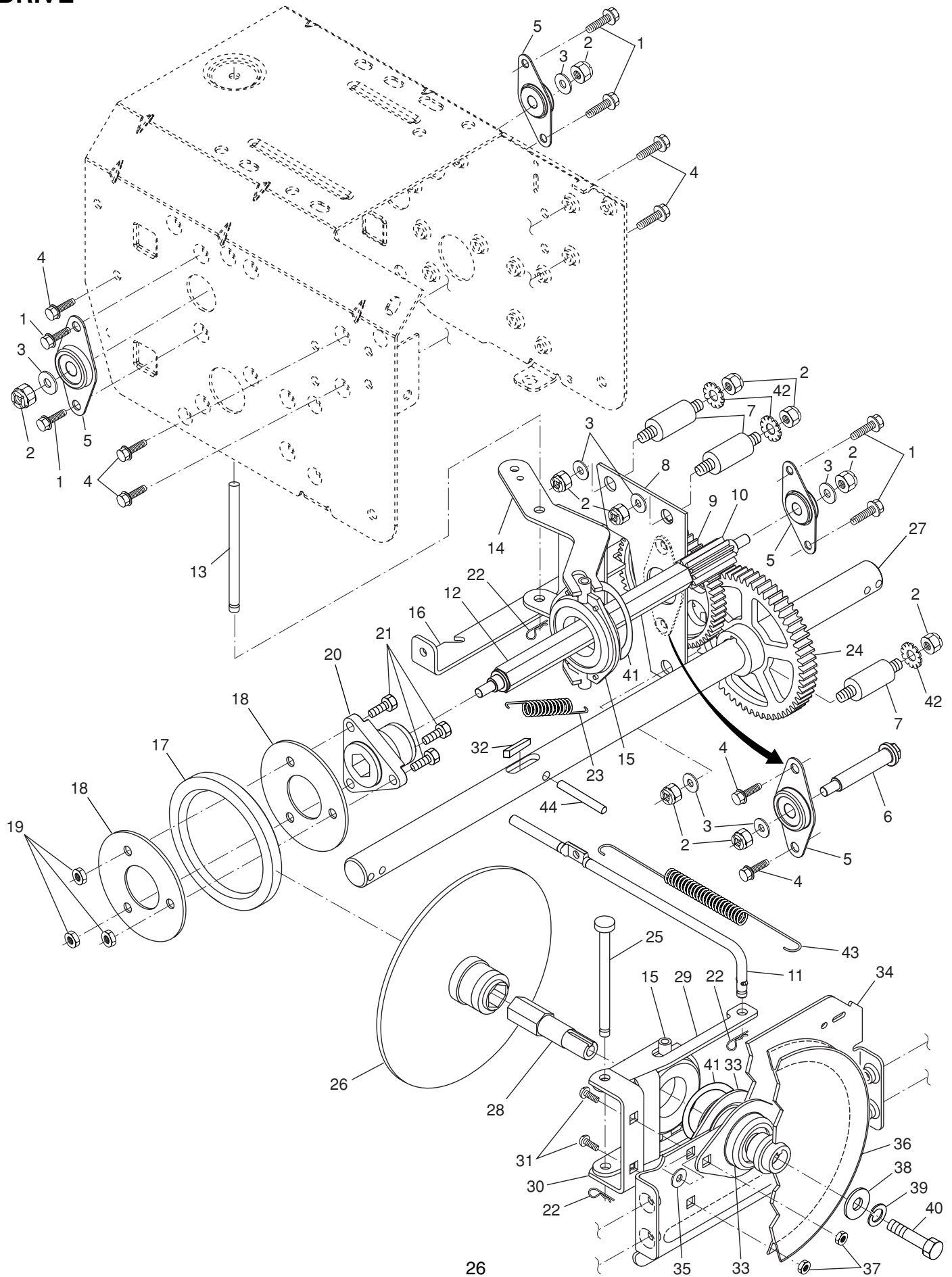
KEY NO.	PART NO.	DESCRIPTION
1	178875X479	Lever, Auger Control, RH
2	178648X479	Lever, Traction Drive Control, LH
3	179439	Nut, Cage 1/4-20
4	178888	Bushing, Flange
5	169675	Retainer, Hairpin
6	180402	Screw, Hex Head 1/4-20 x 3/4
7	178652	Rod, Interlock
8	196333X008	Arm, Impeller Rod
9	196334X008	Arm, Traction Rod
10	196619X479	Panel, Control
11	74780524	Screw, Hex Head 5/16-18 x 1-1/2
12	74780528	Screw, Hex Head 5/16-18 x 1-3/4
13	178646X479	Handle Tube, LH
14	178696X479	Handle Tube, RH
15	73800500	Nut, Lock 5/16-18
16	19131316	Washer, Flat 3/8
17	178899	Knob, Handle
18	184594	Rod, Auger Control
19	193081	Rod, Traction Control
20	180428	End, Control Rod
21	73350500	Nut, Hex, Jam 5/16-18
22	72120618	Bolt, Carriage 3/8-16 x 2-1/4
23	178643X479	Handle Tube, Lower
24	180447	Sleeve, Spring
25	180926	Spring, Traction Drive
26	178669	Spring, Auger Control
27	71210616	Screw, Hex Head 3/8-16 x 1
28	175331	Bushing, Pivot Lever
30	182906	Console, Panel
31	175262	Screw, Hex Head, Tapping #10-24 x 1-1/4
32	184471	Screw, Hex Head, Tapping #10-24 x 1/2
33	196335X008	Latch, Interlock
34	183518	Bolt, Shoulder
35	68038	Nut, Lock 1/4-20
36	178831	Spring, Torsion, Lever
37	193885	Spring, Interlock
38	178666	Headlight, Halogen (Includes Bulb)
--	401620	Bulb, Halogen
39	178668	Bezel, Headlight
40	180964	Harness, Headlight (Halogen)
41	178890	Nut, Cage 3/8-16
42	196336X008	Lever, Interlock
43	196337	Rod, Latch, Interlock
44	196338	Rod, Arm, Interlock
45	700279	Clip
46	179246	Washer, Friction

NOTE: All component dimensions given in U.S. inches. 1 inch = 25.4 mm
IMPORTANT: Use only Original Equipment Manufacturer (O.E.M.) replacement parts.
 Failure to do so could be hazardous, damage your unit and void your warranty.

REPAIR PARTS

SNOW THROWER - MODEL PP930ES (96192000600)

DRIVE



**REPAIR PARTS
DRIVE**

SNOW THROWER - MODEL PP930ES (96192000600)

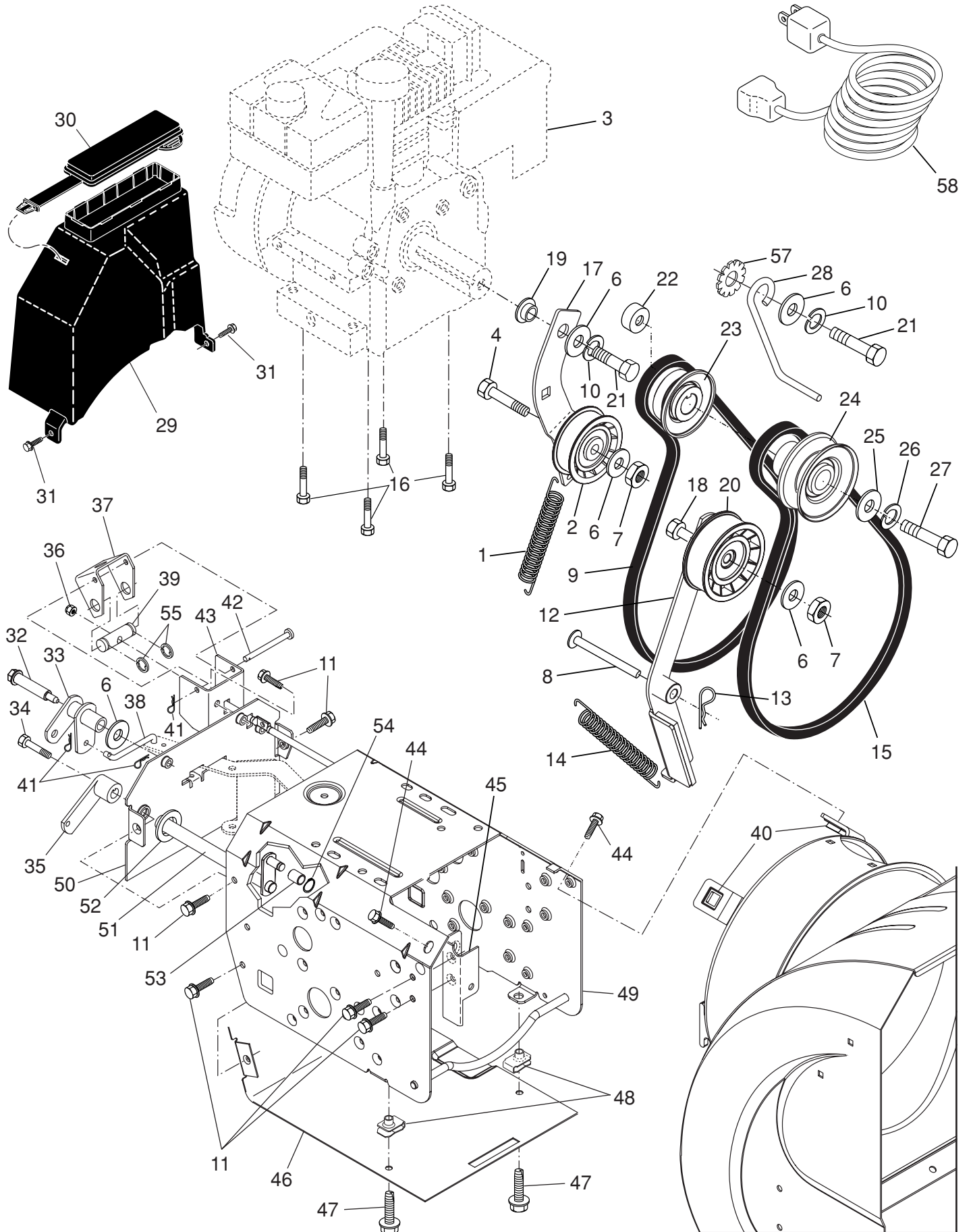
KEY NO.	PART NO.	DESCRIPTION
1	146315	Screw, Hex Head 5/16-18 x 3/4
2	73800500	Nut, Lock 5/16-18
3	155415	Washer, Flat
4	17490508	Screw, Hex Head 5/16-18 x 1/2
5	180017	Bearing, Flange
6	180134	Shaft, Auxiliary
7	179270	Spacer, Plate
8	192616X479	Plate, Auxiliary
9	180082	Gear, Intermediate (12/58)
10	180065	Gear, Pinion
11	187714	Rod, Clutch
12	180066	Shaft, Long, Hex
13	178807	Pin, Pivot
14	178619X479	Lever, Shifter / Wheel
15	175344	Trunnion Bearing Assembly
16	186951X479	Bracket, Pivot, Shifter
17	179831	Ring, Rubber Wheel
18	198176X479	Plate, Rubber Wheel
19	73930500	Nut, Lock 5/16-18
20	178613	Hub, Rubber Wheel
21	74760514	Screw, Hex Head 5/16-18 x 7/8
22	85179	Retainer, Hairpin
23	180135	Spring, Bias
24	180081	Gear, Axle (58 Teeth)
25	178695	Pin, Pivot Lever
26	197763	Plate Assembly, Drive
27	178621	Shaft, Axle
28	197764	Shaft, Short Hex
29	175350X479	Lever, Shifter Plate
30	175349X479	Bracket, Shifter Support
31	72270505	Bolt, Carriage 5/16-18 x 5/8
32	189282	Key, Square 1/4 x 1/4 x 7/8
33	188909	Bearing, Flange
34	175338X479	Plate, Drive Mounting
35	182504	Spacer, Bearing
36	191080	Pulley, Traction Drive
37	155377	Nut, Lock 5/16-18
38	19111507	Washer, Flat
39	10040500	Washer, Lock 5/16
40	74950512	Screw, Hex Head 5/16-18 x 3/4
41	12000012	Ring, Retaining
42	11050500	Washer, Lock, External Tooth 5/16
43	179095	Spring, Return
44	9465M	Pin, Roll

NOTE: All component dimensions given in U.S. inches. 1 inch = 25.4 mm
IMPORTANT: Use only Original Equipment Manufacturer (O.E.M.) replacement parts.
 Failure to do so could be hazardous, damage your unit and void your warranty.

REPAIR PARTS

SNOW THROWER - MODEL PP930ES (96192000600)

CHASSIS / ENGINE / PULLEYS



REPAIR PARTS SNOW THROWER - MODEL PP930ES (96192000600)

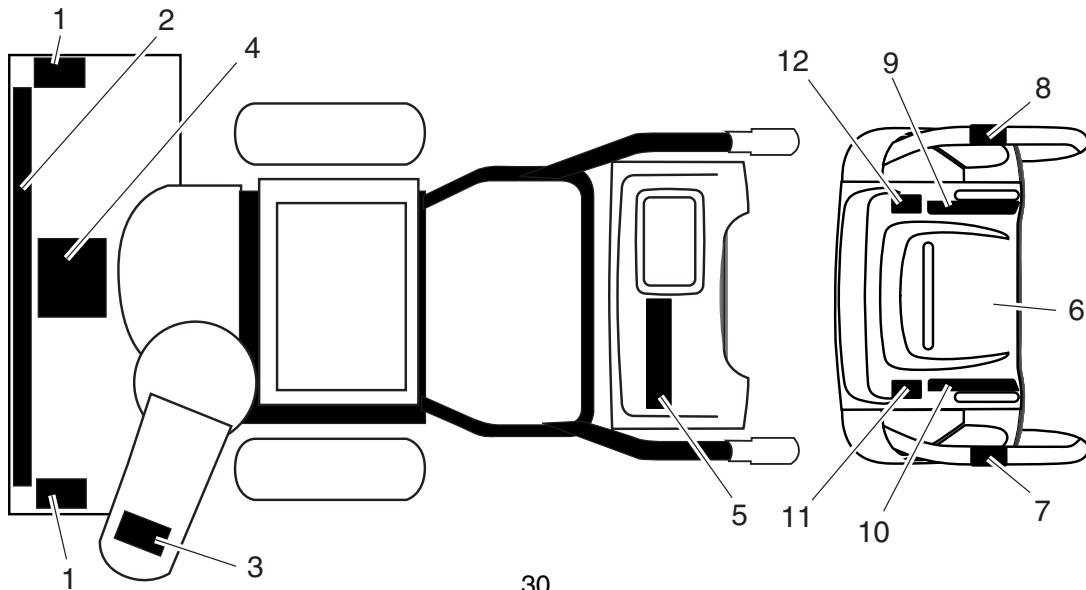
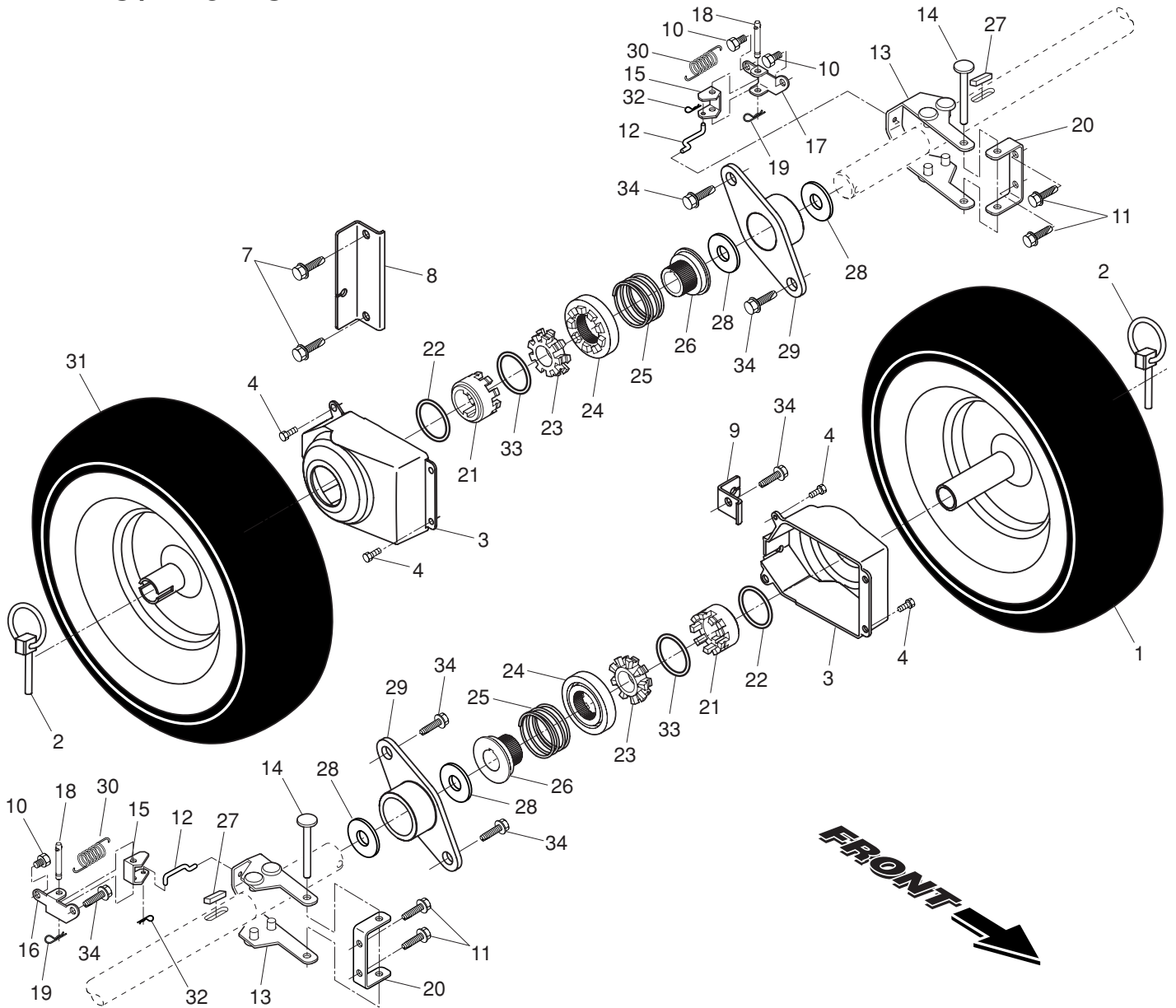
CHASSIS / ENGINE / PULLEYS

KEY NO.	PART NO.	DESCRIPTION	KEY NO.	PART NO.	DESCRIPTION
1	181044	Spring, Traction Idler	28	155452	Guide, Belt
2	180522	Pulley, Idler (2-1/4)	29	192213	Belt Cover Assembly (Includes Toolbox Cover)
3	- - -	Engine, Tecumseh, Model Number OH318SA (For engine service and replacement parts, call Tecumseh Products at 1-800-558-5402)	30	178830	Cover, Toolbox
4	74780520	Screw, Hex Head 5/16-18 x 1-1/4	31	17490408	Screw, Hex Head 1/4-20 x 1/2
6	59289	Washer, Flat	32	179256	Bolt, Shoulder 5/16-18
7	73930500	Nut, Jam, Lock 5/16-18	33	187853	Bellcrank Shifter
8	175330	Pin, Idler Pivot	34	180401	Screw, Hex Head 1/4-28 x 3/4
9	179092	V-Belt, Traction Drive	35	195767	Arm, Auger Control
10	10040500	Washer, Lock 5/16	36	73800500	Nut, Lock 5/16-18
11	17490508	Screw, Hex Washer Head 5/16-18 x 1/2	37	178833X479	Bellcrank
12	179259	Impeller Arm / Pad Assembly	38	187101	Link, Speed Control
13	85179	Retainer, Hairpin	39	192110	Trunnion, Pivot Bracket
14	178828	Spring, Brake	40	178820	Nut, Cage 3/8-16
15	183533	V-Belt, Impeller Drive	41	700279	Clip, Retainer
16	192306	Screw, Hex Head 3/8-16 x 1-1/4	42	179065	Pin, Pivot Bracket
17	179354X008	Arm, Idler	43	179063X479	Bracket, Bellcrank
18	74780524	Screw, Hex Head 5/16-18 x 1-1/2	44	71210616	Screw, Hex Head 3/8-16
19	175331	Bushing, Idler Pivot	45	175324X479	Bracket, Pivot, Idler
20	180523	Pulley, Idler (2-3/4)	46	178624X479	Pan, Frame Bottom
21	74610516	Screw, Hex Head 5/16-18 x 1	47	71020512	Screw, Hex Head 5/16-18 x 3/4
22	179371	Spacer, Engine Pulley	48	181156	Nut, Speed 5/16-18
23	180478	Pulley, Engine, Traction Drive	49	183852X428	Frame Assembly
24	179157	Pulley, Engine, Impeller Drive	50	187715X428	Plate, Frame End
25	62735	Washer, Flat 3/8	51	193364X008	Shaft, Auger Control
26	850263	Washer, Lock 3/8	52	57079	Washer, Hardened
27	851084	Screw, Hex Head 3/8-24 x 1-3/8	53	192275	Roller
			54	192147	Ring, Crescent
			55	12000002	E-Ring
			57	11050500	Washer, Lock, External Tooth 5/16
			58	183854	Power Cord

NOTE: All component dimensions given in U.S. inches. 1 inch = 25.4 mm
IMPORTANT: Use only Original Equipment Manufacturer (O.E.M.) replacement parts.
 Failure to do so could be hazardous, damage your unit and void your warranty.

REPAIR PARTS
WHEELS / DECALS

SNOW THROWER - MODEL PP930ES (96192000600)



REPAIR PARTS
WHEELS / DECALS

SNOW THROWER - MODEL PP930ES (96192000600)

KEY NO.	PART NO.	DESCRIPTION
1	192092X418	Wheel Assembly, 16", Power Steering, LH
2	155443	Pin, Klik 1/4
3	192109	Cover, Power Steering
4	184471	Screw, Hex Head #10-24 x 1/2
7	71210616	Capscrew, Hex Head, Flanged 3/8-16 x 1
8	185603X479	Bracket, Steering Cable, RH
9	185602X479	Bracket, Steering Cable, LH
10	17600406	Screw, Hex Head 1/4-20 x 3/8
11	17490508	Screw, Hex Head 5/16-18 x 1/2
12	195749	Link, Steering Lever
13	193506X479	Yoke, Steering
14	182015	Pin, Steering Lever
15	194944X008	Bellcrank
16	194939X008	Bracket, LH Steering
17	194943X008	Bracket, RH Steering
18	181847	Pin, Steering Bellcrank
19	85179	Retainer, Hairpin
20	179148X479	Bracket, Steering
21	192126	Driver, Wheel
22	182466	Ring, Wire Retainer
23	187622	Lobe, Wheel
24	194941	Slide, Clutch
25	179139	Spring, Clutch Slide
26	194940	Lobe, Axle
27	189282	Key, Square 1/4 x .875
28	174697	Washer, Thrust (1")
29	179830	Bearing, Axle
30	193885	Spring, Return, Steering Latch
31	192093X421	Wheel Assembly, 16", Power Steering, RH
32	700279	Clip, Retainer
33	12000045	Ring, Retaining
34	146315	Screw, Hex Head, Tapping 5/16-18 x 5/8

KEY NO.	PART NO.	DESCRIPTION
1	181037	Decal, Danger
2	199315	Decal, Poulan Pro, 9 HP / 30"
3	181035	Decal, Danger, Deflector
4	181042	Decal, Danger
5	199316	Decal, Poulan Pro
6	181033	Decal, Instruction
7	155798	Decal, Traction Lever
8	155800	Decal, Auger Lever
9	181039	Decal, Speed Control
10	183730	Decal, Remote Deflector Control
11	183907	Decal, LH Trigger
12	183905	Decal, RH Trigger
--	199326	Owner's Manual, English
--	199330	Owner's Manual, French

NOTE: All component dimensions given in U.S. inches. 1 inch = 25.4 mm
IMPORTANT: Use only Original Equipment Manufacturer (O.E.M.) replacement parts.
 Failure to do so could be hazardous, damage your unit and void your warranty.