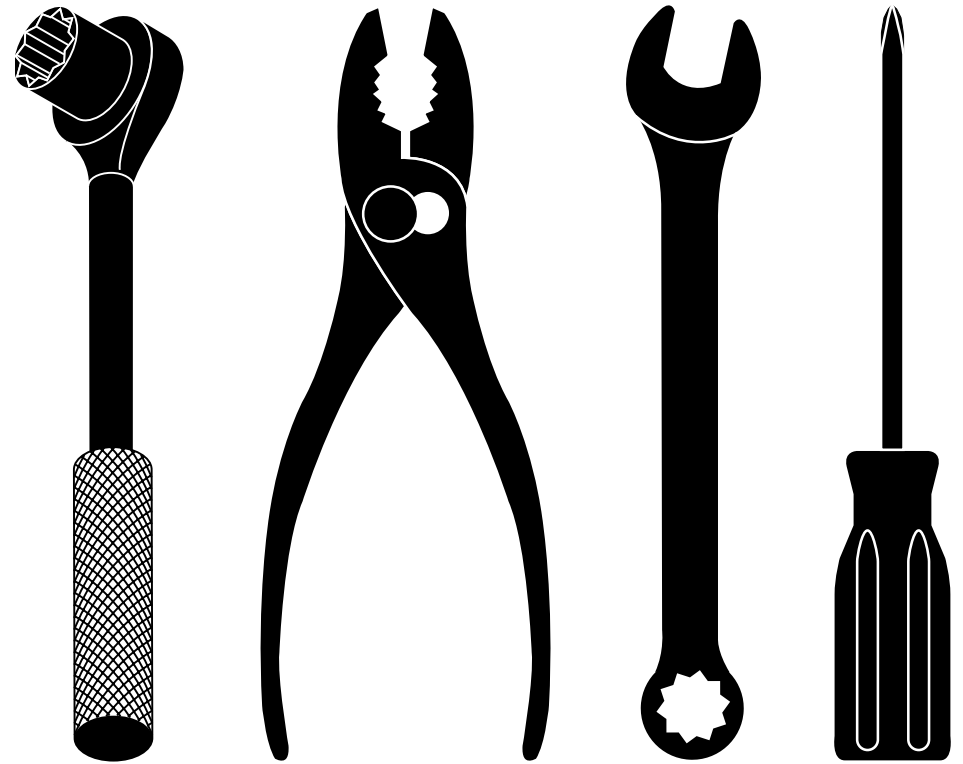


# Poulan PRO<sup>®</sup>

## *XT*



## REPAIR PARTS MANUAL

### MODEL NO. **XT625Y22RKP**

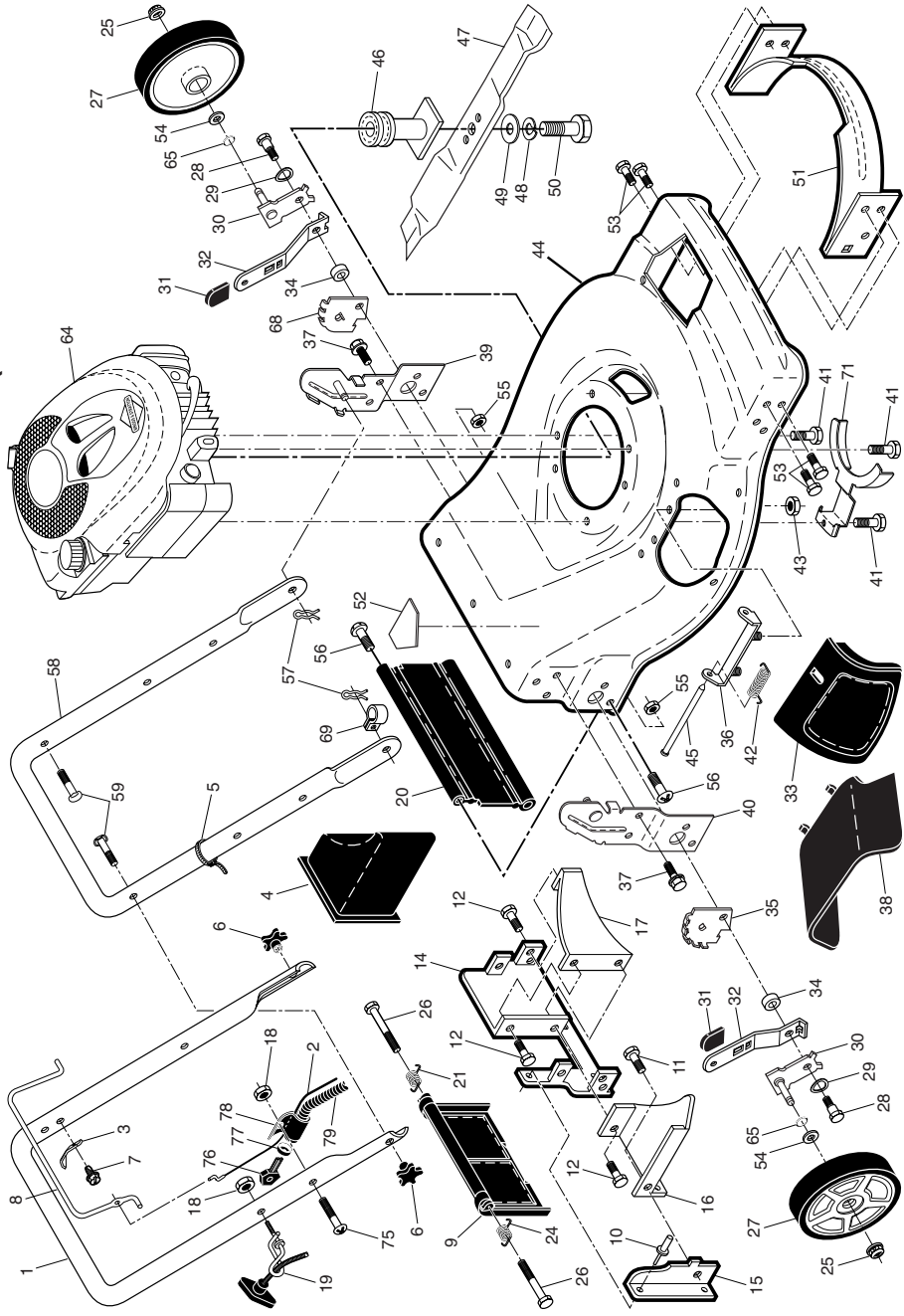
### (MFG. ID. NO. 96142008400)

## Rotary Lawn Mower

For Parts and Service, contact our authorized distributor: call 1-800-849-1297  
For Technical Assistance: call 1-800-829-5886

# Poulan PRO<sup>®</sup>

## *XT*



## LIMITED WARRANTY

The Manufacturer warrants to the original consumer purchaser that this product as manufactured is free from defects in materials and workmanship. For a period of two (2) years from date of purchase by the original consumer purchaser, we will repair or replace, at our option, without charge for parts or labor incurred in replacing parts, any part which we find to be defective due to materials or workmanship. This Warranty is subject to the following limitations and exclusions.

1. This warranty does not apply to the engine, transaxle/transmission components, battery (except as noted below) or components parts thereof. Please refer to the applicable manufacturer's warranty on these items.
2. Transportation charges for the movement of any power equipment unit or attachment are the responsibility of the purchaser. Transportation charges for any parts submitted for replacement under this warranty must be paid by the purchaser unless such return is requested by the manufacturer.
3. Battery Warranty: On products equipped with a Battery, we will replace, without charge to you, any battery which we find to be defective in manufacture, during the first ninety (90) days of ownership. After ninety (90) days, we will exchange the Battery, charging you 1/12 of the price of a new Battery for each full month from the date of the original sale. Battery must be maintained in accordance with the instructions furnished.
4. The Warranty period for any products used for rental or commercial purposes is limited to 45 days from the date of original purchase.
5. This Warranty applies only to products which have been properly assembled, adjusted, operated, and maintained in accordance with the instructions furnished. This Warranty does not apply to any product which has been subjected to alteration, misuse, abuse, improper assembly or installation, delivery damage, or to normal wear of the product.
6. Exclusions: Excluded from this Warranty are belts, blades, blade adapters, normal wear, normal adjustments, standard hardware and normal maintenance.
7. In the event you have a claim under this Warranty, you must return the product to an authorized service dealer.

Should you have any unanswered questions concerning this Warranty, contact:

Poulan Pro  
Customer Service Department  
1030 Stevens Creek Road  
Augusta, GA 30907 USA

In Canada contact:  
Poulan Pro  
Customer Service Department  
5855 Terry Fox Way  
Mississauga, Ontario L5V 3E4

giving the model number, serial number and date of purchase of your product and the name and address of the authorized dealer from whom it was purchased. THIS WARRANTY DOES NOT APPLY TO INCIDENTAL OR CONSEQUENTIAL DAMAGES AND ANY IMPLIED WARRANTIES ARE LIMITED TO THE SAME TIME PERIODS STATED HEREIN FOR OUR EXPRESSED WARRANTIES. Some areas do not allow the limitation of consequential damages or limitations of how long an implied Warranty may last, so the above limitations or exclusions may not apply to you. This Warranty gives you specific legal rights, and you may have other rights which vary from locale to locale. This is a limited Warranty within the meaning of that term as defined in the Magnuson-Moss Act of 1975.

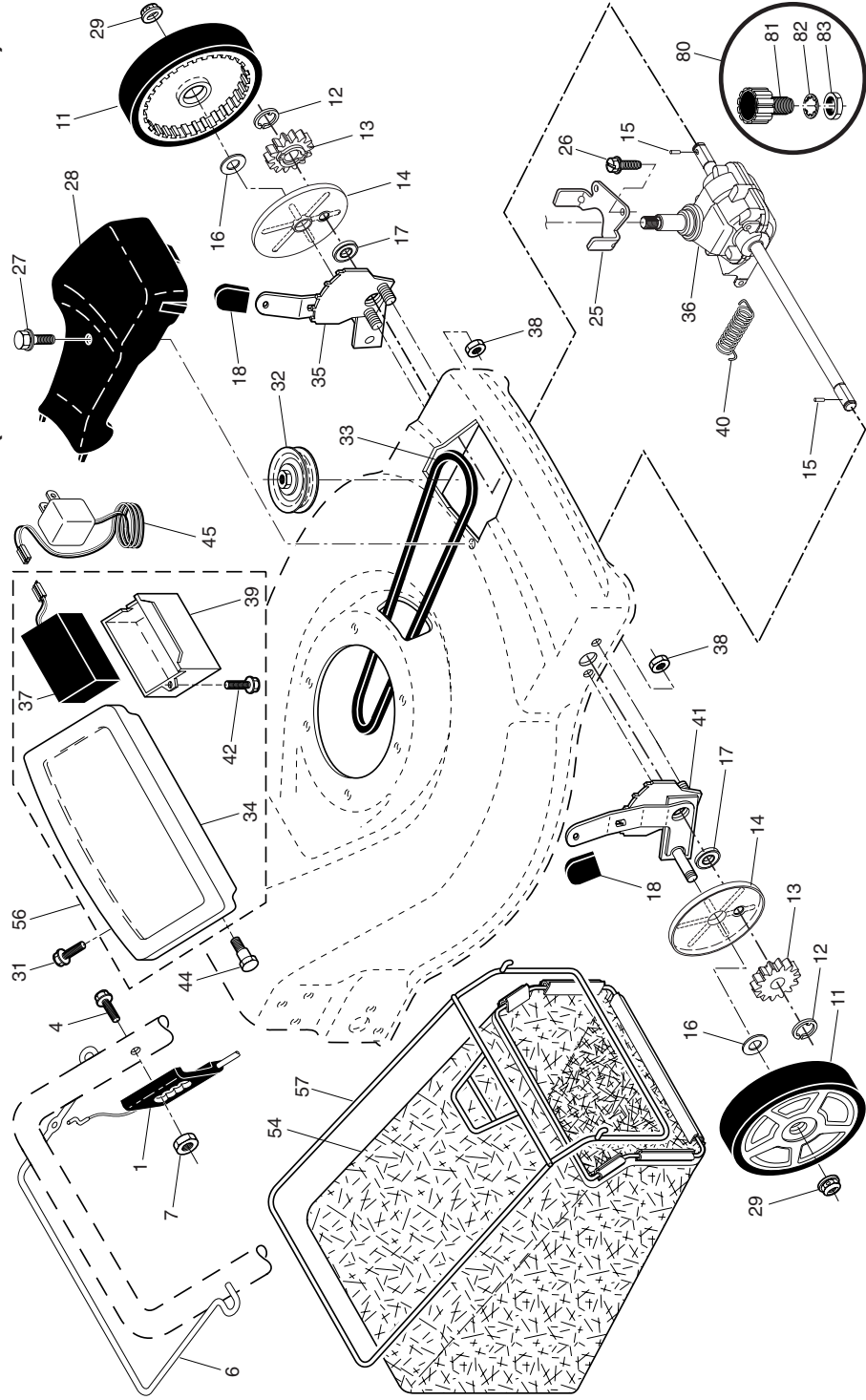
## ROTARY LAWN MOWER - - MODEL NUMBER XT625Y22RKP (MFG. ID. NO. 96142008400)

KEY NO.	PART NO.	DESCRIPTION	KEY NO.	PART NO.	DESCRIPTION	KEY NO.	PART NO.	DESCRIPTION
1	427615X479	Upper Handle	29	401630	Washer, Curved, Cylindrical	52	404763	Danger Decal
2	401994	Cable, Operator Presence	30	401179X004	Axle Arm Assembly	53	17600406	Screw, Serrated, TT 1/4-20
3	850733X004	Bracket, Upstop	31	701037	Selector Knob	54	88348	Washer, Flat
4	166649	Mulcher Plug	32	401621X004	Selector Spring	55	73930600	Locknut, Hex 3/8-16
5	66426	Wire Tie	33	189917X428	Mulcher Door	56	86652	Hinge Screw 1/4-20 x 1-1/4
6	182398	Handle Knob	34	401629	Spacer	57	51793	Hairpin Cotter
7	750634	Screw	35	407492X005	Wheel Adjusting Bracket, RH	58	400512X479	Lower Handle
8	427414X428	Control Bar	36	175735	Hinge Bracket Assembly	59	191574	Handle Bolt
9	401813X428	Rear Door Assembly	37	428867	Screw	64	---	Engine, Briggs & Stratton, Model Number 122T05-4846-
10	128415	Pop Rivet	38	402574X428	Discharge Deflector			EA (For engine service and replacement parts, call Briggs & Stratton at 1-800-233-3723)
11	150050	Screw, Self-Tapping #10-24 x 5/8	39	195916X479	Handle Bracket Assembly, LH	65	197480	O-Ring
12	17060410	Screw, Hex Hex Head, #10-24 x 5/8	40	195917X479	Handle Bracket Assembly, RH	68	407493X005	Wheel Adjusting Bracket, LH
14	195622X479	Sems 1/4-20 x 1/2	41	150406	Screw, Hex Head, Threaded, Rolled 3/8-16 x 1-1/8	69	197991	Clip, Cable
15	410545X479	Back Plate	42	193000	Spring, Torsion	71	420474X004	Belt Keeper
16	176655X479	Side Baffle	43	73800400	Nut, Hex, Nylon	75	186159	Screw
17	140661X479	Discharge Baffle	44	425878	Kit, Mower Housing (Includes Key Numbers 14, 15 and 51)	76	180331	Key
18	132004	Rear Baffle	45	175650	Rod, Hinge	77	194848	Nut, Cap
19	194788	Keeps Locknut 1/4-20	46	421248	Blade Adapter / Pulley	78	189686	Key Start Switch
20	413160	Rope Guide	47	406713	Blade, 22"	79	409567	Wiring Harness
21	405421	Rear Skirt	48	850263	Washer, Helical	--	404764	Warning Decal (not shown)
24	405423	Spring, Rear Door, LH	49	851074	Washer, Hardened	--	193733	Operator's Manual, English
25	409148	Spring, Rear Door, RH	50	851084	Screw, Machine, Hex Head 3/8-24 x 1-3/8 Grade 8	--	193736	Operator's Manual, French
26	184193	Nut, Hex, Flanged Bolt, Rear Door	51	170031	Kit, Front Baffle (Includes Key Number 53)			Repair Parts Manual
27	197972X428	Wheel & Tire Assembly, Rear						
28	174719	Bolt, Shoulder 3/8-16 x 1						

**IMPORTANT:** Use only Original Equipment Manufacturer (O.E.M.) replacement parts. Failure to do so could be hazardous, damage your lawn mower and void your warranty.

**NOTE:** All component dimensions given in U.S. inches. 1 inch = 25.4 mm.

**ROTARY LAWN MOWER -- MODEL NUMBER XT625Y22RKP (MFG. ID. NO. 96142008400)**



4

**ROTARY LAWN MOWER -- MODEL NUMBER XT625Y22RKP (MFG. ID. NO. 96142008400)**

KEY NO.	PART NO.	DESCRIPTION	KEY NO.	PART NO.	DESCRIPTION
1	407816	Drive Control Assembly (Includes Cable)	33	196857	V-Belt
4	199687	Screw, Hex Head	34	411190	Trimplate
6	194185X428	Bar, Drive Control	35	424201	Kit, Wheel Adjuster, LH (Includes Knob and Bearing)
7	191730	Nut, Hex	36	404834	Gear Case Assembly, Complete
11	193912X428	Wheel & Tire Assembly, Front	37	189589	Battery
12	12000058	E-Ring	38	73800400	Locknut 1/4-20
13	403849	Pinion	39	186237	Battery Box
14	189403	Dust Cover	40	406558	Spring
15	404845	Pawl, Drive	41	424200	Kit, Wheel Adjuster, RH (Includes Knob and Bearing)
16	67725	Washer, Flat 3/8	42	17411308	Screw, Battery Box
17	191039	Bearing, Wheel Adjuster	44	175551	Screw, Trimplate
18	701037	Selector Knob	45	190097	Charger, Battery
25	404843X004	Belt Keeper	54	412357	Grassbag Assembly
26	163409	Screw, Hi-Lo Thread	56	191252	Trimplate, Battery Box and Battery Assembly
27	175262	Screw, Pan Head, Self-Tapping #10-24 x 2-3/4	57	411952	Frame, Grassbag
28	194407X428	Drive Cover	80	421114	Water Washout Assembly
29	409148	Locknut, Hex	81	419735	Fitting, Hose, Water Washout
31	141841	Screw, Trimplate	82	415585	Washer, Lock, Internal Tooth
32	194018	Pulley, Drive	83	415586	Locknut, Hex, with O-Ring

5

**IMPORTANT:** Use only Original Equipment Manufacturer (O.E.M.) replacement parts. Failure to do so could be hazardous, damage your lawn mower and void your warranty.

**NOTE:** All component dimensions given in U.S. inches. 1 inch = 25.4 mm.