

LIMITED WARRANTY

The Manufacturer warrants to the original consumer purchaser that this product as manufactured is free from defects in materials and workmanship. For a period of two (2) years from date of purchase by the original consumer purchaser, we will repair or replace, at our option, without charge for parts or labor incurred in replacing parts, any part which we find to be defective due to materials or workmanship. This Warranty is subject to the following limitations and exclusions.

1. This warranty does not apply to the engine, transaxle/transmission components, battery (except as noted below) or components parts thereof. Please refer to the applicable manufacturer's warranty on these items.
2. Transportation charges for the movement of any power equipment unit or attachment are the responsibility of the purchaser. Transportation charges for any parts submitted for replacement under this warranty must be paid by the purchaser unless such return is requested by the manufacturer.
3. Battery Warranty: On products equipped with a Battery, we will replace, without charge to you, any battery which we find to be defective in manufacture, during the first ninety (90) days of ownership. After ninety (90) days, we will exchange the Battery, charging you 1/12 of the price of a new Battery for each full month from the date of the original sale. Battery must be maintained in accordance with the instructions furnished.
4. The Warranty period for any products used for rental or commercial purposes is limited to 45 days from the date of original purchase.
5. This Warranty applies only to products which have been properly assembled, adjusted, operated, and maintained in accordance with the instructions furnished. This Warranty does not apply to any product which has been subjected to alteration, misuse, abuse, improper assembly or installation, delivery damage, or to normal wear of the product.
6. Exclusions: Excluded from this Warranty are belts, blades, blade adapters, normal wear, normal adjustments, standard hardware and normal maintenance.
7. In the event you have a claim under this Warranty, you must return the product to an authorized service dealer.

Should you have any unanswered questions concerning this Warranty, contact:

Poulan Pro
Customer Service Department
9335 Harris Corners Parkway
Charlotte, NC 28269 USA

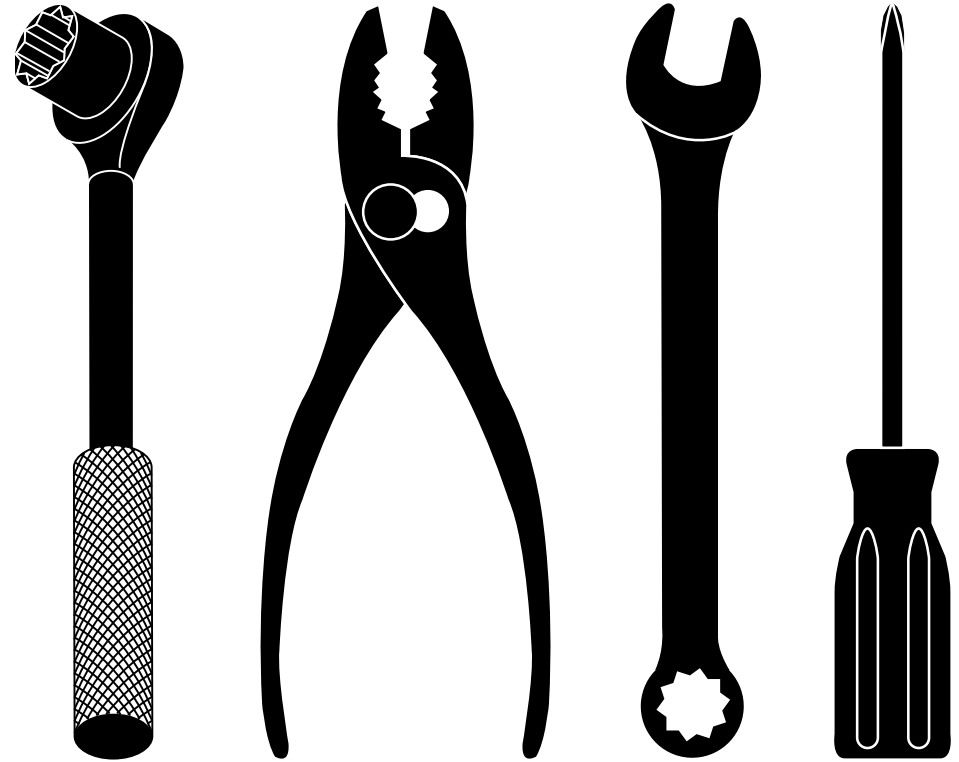
In Canada contact:
Poulan Pro
Customer Service Department
5855 Terry Fox Way
Mississauga, Ontario L5V 3E4

giving the model number, serial number and date of purchase of your product and the name and address of the authorized dealer from whom it was purchased.

THIS WARRANTY DOES NOT APPLY TO INCIDENTAL OR CONSEQUENTIAL DAMAGES AND ANY IMPLIED WARRANTIES ARE LIMITED TO THE SAME TIME PERIODS STATED HEREIN FOR OUR EXPRESSED WARRANTIES.

Some areas do not allow the limitation of consequential damages or limitations of how long an implied Warranty may last, so the above limitations or exclusions may not apply to you. This Warranty gives you specific legal rights, and you may have other rights which vary from locale to locale.

This is a limited Warranty within the meaning of that term as defined in the Magnuson-Moss Act of 1975.



REPAIR PARTS MANUAL

MODEL NO. PR675N21RH3

MFG. ID. NO. 96132008000

Rotary Lawn Mower

For Parts and Service or Technical Assistance, call 1-800-487-5951

Poulan PRO

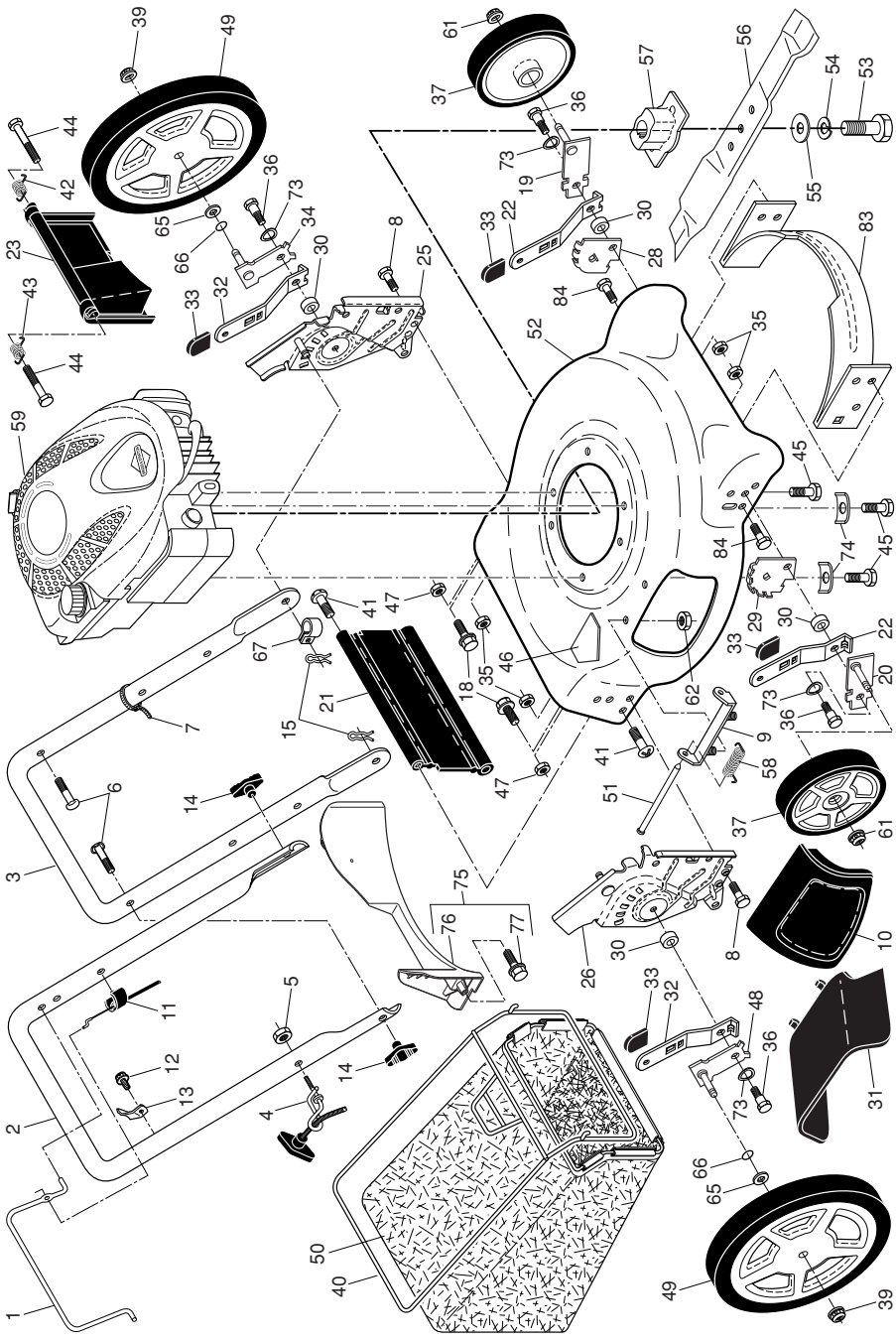
NOTE: Gasoline containing up to 10% ethanol (E10) is acceptable for use in this machine. The use of any gasoline exceeding 10% ethanol (E10) will void the product warranty.

580743432 03.27.12 BY

Printed in U.S.A.

Poulan PRO

POULAN PRO ROTARY LAWN MOWER - MODEL NO. PR675N21RH3 (MFG. ID. NO. 96132008000)



2

POULAN PRO ROTARY LAWN MOWER - MODEL NO. PR675N21RH3 (MFG. ID. NO. 96132008000)

KEY NO.	PART NO.	DESCRIPTION	KEY NO.	PART NO.	DESCRIPTION	KEY NO.	PART NO.	DESCRIPTION
1	532 44 73-65	Control Bar	54	532 85 02-63	Helical Lockwasher	61	532 40 91-48	Flanged Locknut
2	532 44 82-63	Upper Handle	55	532 85 10-74	Hardened Washer	62	873 80 04-00	Nut, Hex
3	532 43 45-14	Lower Handle	56	532 40 67-12	2 1/2" Blade	65	532 08 83-48	Washer, Flat
4	532 19 47-88	Rope Guide	57	532 41 83-73	Blade Adapter	66	532 19 74-80	O-Ring
5	532 13 20-04	Nut, Hex	58	532 15 21-24	Hinge Spring	67	532 19 79-91	Clip, Cable
6	532 19 15-74	Handle Bolt	59	---	Engine, Briggs & Stratton, Model Number 126T02-1601-B1 (For engine service and replacement parts, call Briggs & Stratton at 1-800-233-3723)	73	532 40 16-30	Washer, Curved, Cylindrical
7	532 06 64-26	Wire Tie				74	532 12 50-78	Washer, Special, Engine Kit, Rear Baffle (Includes 3 Screws)
8	874 78 05-12	Bolt, Hex Head 5/16-18 x 3/4				75	532 41 36-93	Baffle, Rear
9	532 15 41-32	Hinge Bracket	30	532 40 16-29	Spacer	76	532 41 05-89	Screw, Rear Baffle
10	532 16 57-54	Mulcher Door	31	532 16 57-60	Discharge Deflector	77	817 41 13-12	Baffle, Front
11	532 44 09-34	Engine Zone Control Cable	32	532 44 15-59	Selector Spring, Rear	83	532 42 85-01	Baffle, Front
12	532 17 88-48	Hex Washer Head Screw #10-16 x 5/8	33	532 17 01-43	Selector Knob	84	817 00 05-10	Warning Decal (not shown)
13	532 43 00-34	Up-Stop Bracket	34	532 41 06-00	Axle Arm Assy., Rear, LH	--	532 40 47-64	Operator's Manual, English
14	532 44 50-19	Handle Knob	35	532 42 65-89	Locknut, Hex 5/16-18	--	532 19 37-32	Operator's Manual, French
15	532 05 17-93	Hairpin Cotter	36	532 40 16-38	Shoulder Bolt 5/16-18	--	532 19 37-34	Repair Parts Manual
18	817 60 04-06	Screw	37	532 43 05-01	Wheel & Tire Assembly, Front 7 x 1-3/4			
19	532 40 66-89	Axle Arm Assy., Front, LH	39	532 40 91-49	Nut, Hex			
20	532 40 66-90	Axle Arm Assy., Front, RH	40	532 41 19-49	Frame, Grassbag			
21	532 41 86-55	Kit, Rear Skirt	41	532 19 41-86	Screw, Hinge			
22	532 40 64-28	Selector Spring, Front	42	532 40 54-21	Spring, LH			
23	532 41 06-03	Rear Door Assembly	43	532 40 54-23	Spring, RH			
25	532 44 67-89	Handle Bracket, LH	44	532 18 41-93	Bolt, Rear Door			
26	532 44 68-02	Handle Bracket, RH	45	532 15 04-06	Hex Head Thread Rolling Screw 3/8-16 x 1			
28	532 41 44-41	Wheel Adjusting Bracket, Front, LH	46	532 40 47-63	Danger Decal			
29	532 41 44-40	Wheel Adjusting Bracket, Front, RH	47	532 75 11-53	Nut, Hex			
			48	532 41 06-01	Axle Arm Assy., Rear, RH			
			49	532 43 05-00	Wheel & Tire Assembly, Rear 12 x 1-3/4			
			50	532 41 10-60	Grassbag			
			51	532 14 72-86	Hinge Rod			
			52	532 44 19-69	Kit, Housing (Includes #46)			
			53	532 85 10-84	Screw, Hex Head, Grade 8 3/8-24 x 1-3/8			

3

IMPORTANT: Use only Original Equipment Manufacturer (O.E.M.) replacement parts. Failure to do so could be hazardous, damage your lawn mower and void your warranty.

NOTE: All component dimensions given in U.S. inches. 1 inch = 25.4 mm.