

LIMITED WARRANTY

The Manufacturer warrants to the original consumer purchaser that this product as manufactured is free from defects in materials and workmanship. For a period of two (2) years from date of purchase by the original consumer purchaser, we will repair or replace, at our option, without charge for parts or labor incurred in replacing parts, any part which we find to be defective due to materials or workmanship. This Warranty is subject to the following limitations and exclusions.

1. This warranty does not apply to the engine, transaxle/transmission components, battery (except as noted below) or components parts thereof. Please refer to the applicable manufacturer's warranty on these items.
2. Transportation charges for the movement of any power equipment unit or attachment are the responsibility of the purchaser. Transportation charges for any parts submitted for replacement under this warranty must be paid by the purchaser unless such return is requested by the manufacturer.
3. Battery Warranty: On products equipped with a Battery, we will replace, without charge to you, any battery which we find to be defective in manufacture, during the first ninety (90) days of ownership. After ninety (90) days, we will exchange the Battery, charging you 1/12 of the price of a new Battery for each full month from the date of the original sale. Battery must be maintained in accordance with the instructions furnished.
4. The Warranty period for any products used for rental or commercial purposes is limited to 45 days from the date of original purchase.
5. This Warranty applies only to products which have been properly assembled, adjusted, operated, and maintained in accordance with the instructions furnished. This Warranty does not apply to any product which has been subjected to alteration, misuse, abuse, improper assembly or installation, delivery damage, or to normal wear of the product.
6. Exclusions: Excluded from this Warranty are belts, blades, blade adapters, normal wear, normal adjustments, standard hardware and normal maintenance.
7. In the event you have a claim under this Warranty, you must return the product to an authorized service dealer.

Should you have any unanswered questions concerning this Warranty, contact:

Poulan Pro
Customer Service Department
9335 Harris Corners Parkway
Charlotte, NC 28269 USA

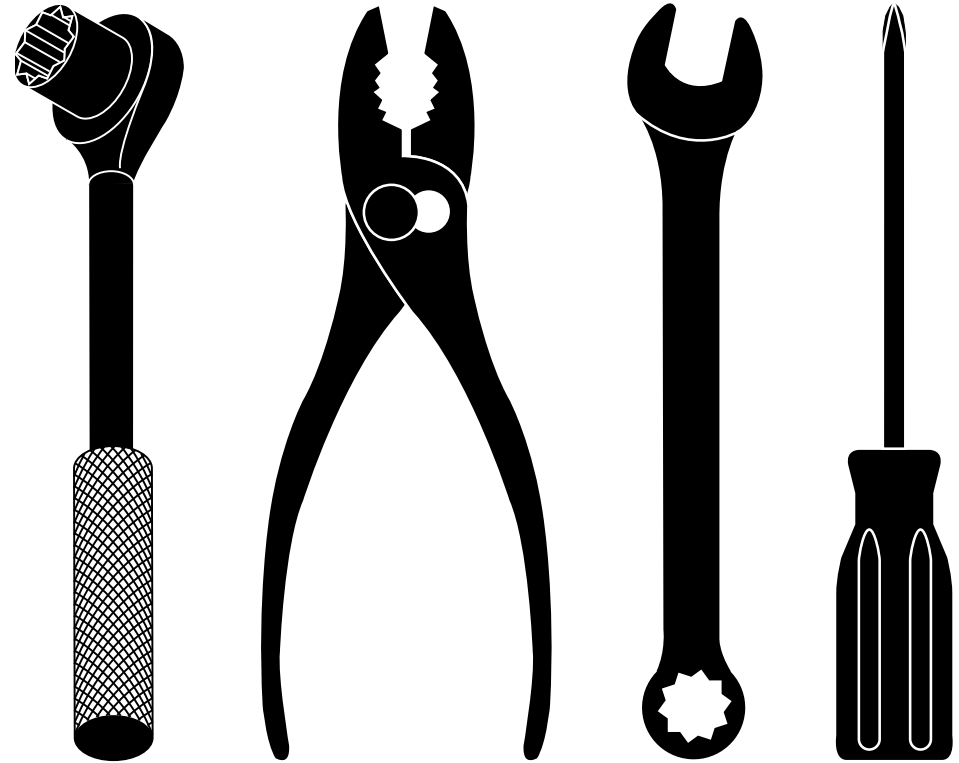
In Canada contact:
Poulan Pro
Customer Service Department
5855 Terry Fox Way
Mississauga, Ontario L5V 3E4

giving the model number, serial number and date of purchase of your product and the name and address of the authorized dealer from whom it was purchased.

THIS WARRANTY DOES NOT APPLY TO INCIDENTAL OR CONSEQUENTIAL DAMAGES AND ANY IMPLIED WARRANTIES ARE LIMITED TO THE SAME TIME PERIODS STATED HEREIN FOR OUR EXPRESSED WARRANTIES.

Some areas do not allow the limitation of consequential damages or limitations of how long an implied Warranty may last, so the above limitations or exclusions may not apply to you. This Warranty gives you specific legal rights, and you may have other rights which vary from locale to locale.

This is a limited Warranty within the meaning of that term as defined in the Magnuson-Moss Act of 1975.



REPAIR PARTS MANUAL MODEL NO. PR675Y22 (MFG. ID. NO. 96142010700) Rotary Lawn Mower

For Parts and Service or Technical Assistance, call 1-800-487-5951

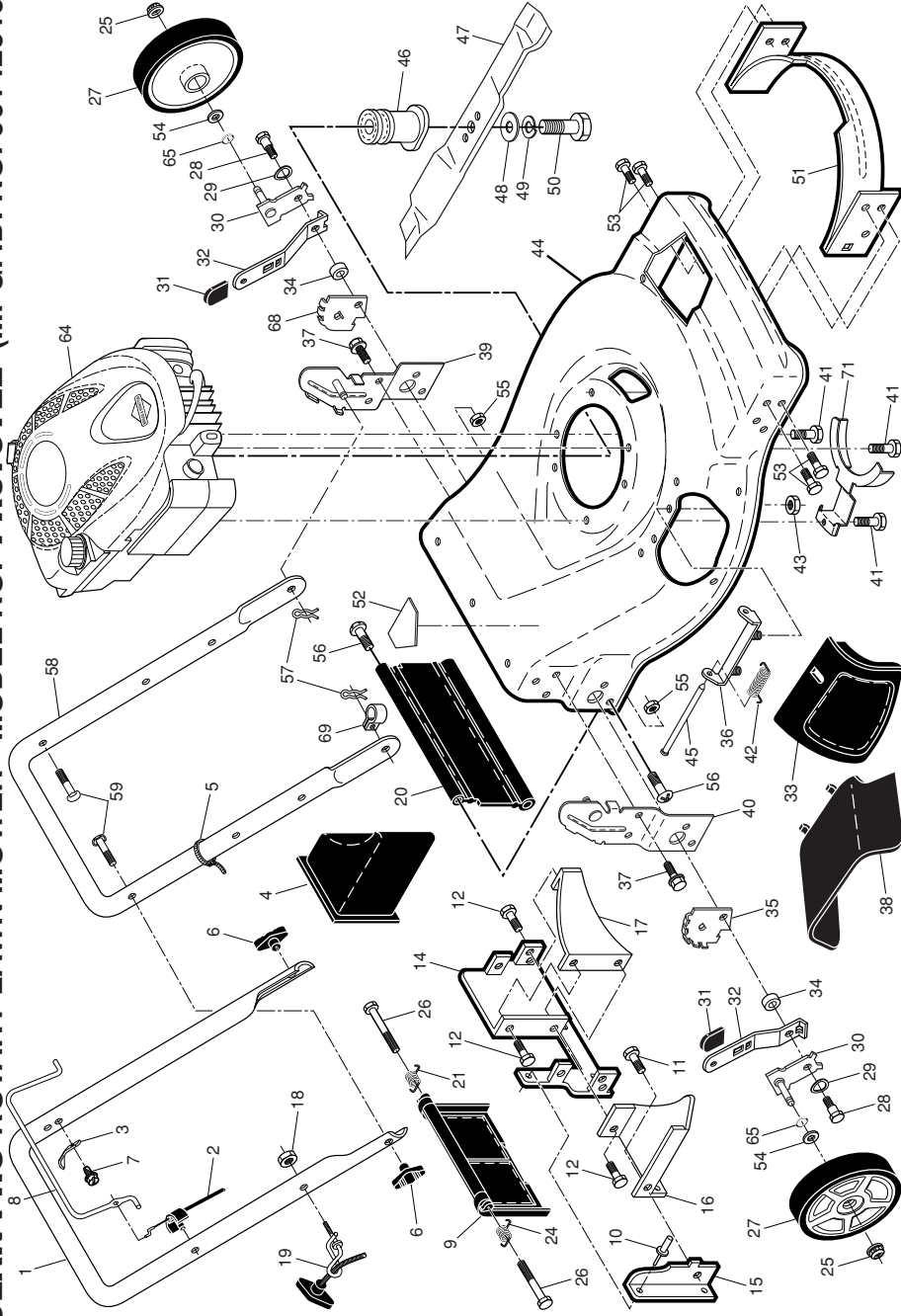
Poulan PRO

NOTE: Gasoline containing up to 10% ethanol (E10) is acceptable for use in this machine. The use of any gasoline exceeding 10% ethanol (E10) will void the product warranty.

580 74 33-32 Rev. 2 06.13.12 BY

Printed in U.S.A.

Poulan PRO



SERVICE NOTES

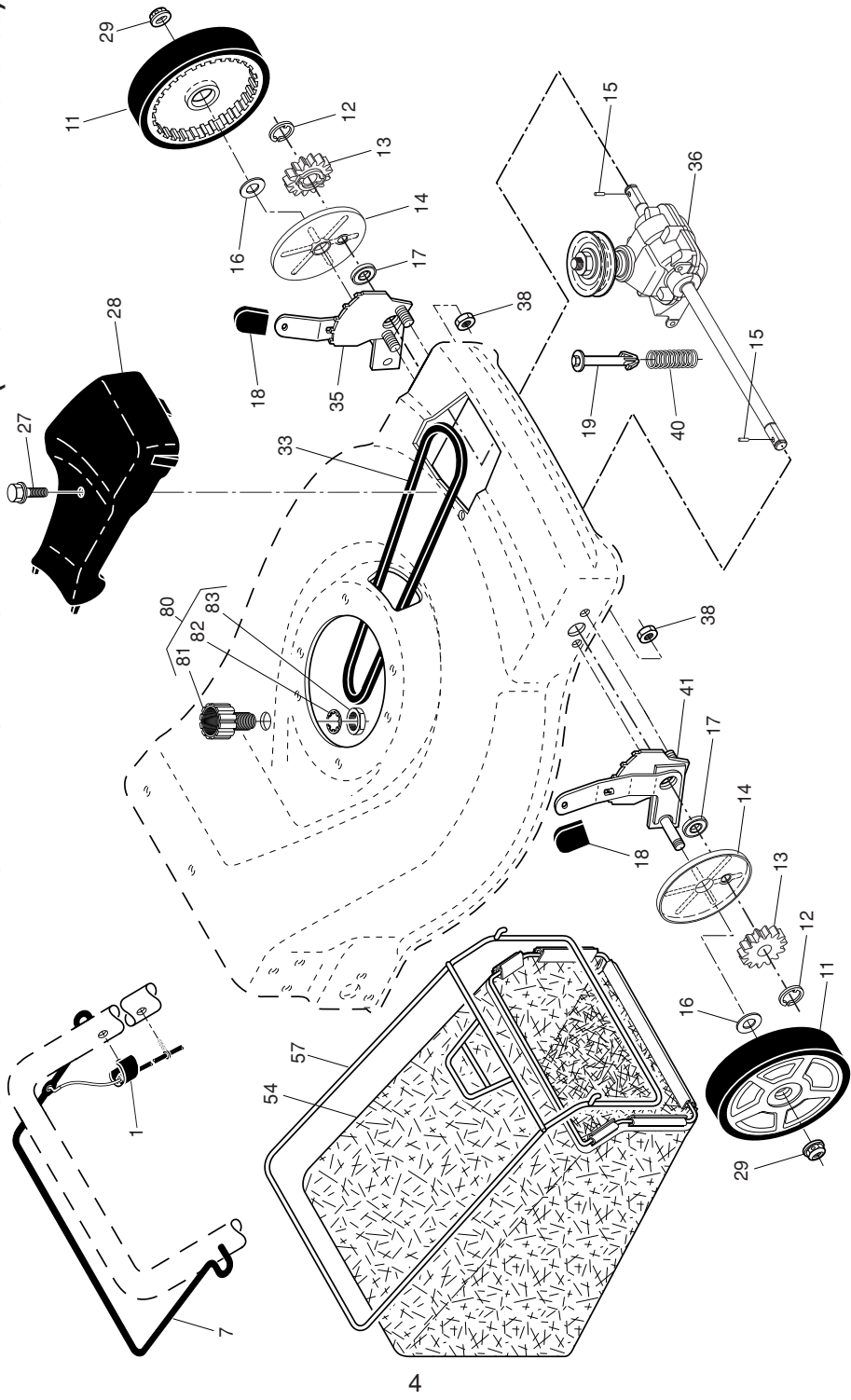
POULAN PRO ROTARY LAWN MOWER - MODEL NO. PR675Y22 (MFG. ID. NO. 96142010700)

KEY PART NO.	DESCRIPTION	KEY PART NO.	DESCRIPTION	KEY PART NO.	DESCRIPTION
1	532 42 77-38 Upper Handle	27	532 43 52-76 Wheel & Tire Assembly, Rear	49	532 85 02-63 Washer, Helical
2	532 18 35-67 Cable, Operator Presence	28	532 17 47-19 Bolt, Shoulder 3/8-16 x 1	50	532 85 10-84 Screw, Machine, Hex Head 3/8-24 x 1-3/8 Grade 8
3	532 12 51-62 Bracket, Upstop	29	532 40 16-30 Washer, Curved, Cylindrical	51	532 17 00-31 Kit, Front Baffle (Includes Key Number 53)
4	532 16 66-49 Mulcher Plug	30	532 40 78-71 Axle Arm Assembly	52	532 40 47-63 Danger Decal
5	532 06 64-26 Wire Tie	31	532 43 63-48 Selector Knob	53	817 60 04-06 Screw, Serrated, TT 1/4-20
6	532 44 50-19 Handle Knob	32	532 40 64-28 Selector Spring	54	532 08 83-48 Washer, Flat
7	532 75 06-34 Screw	33	532 19 60-53 Mulcher Door	55	873 93 06-00 Nut, Hex 3/8-16
8	532 41 48-06 Control Bar	34	532 40 16-29 Spacer	56	532 08 86-52 Hinge Screw 1/4-20 x 1-1/4
9	532 40 84-92 Rear Door Assembly	35	532 41 06-24 Wheel Adjusting Bracket, RH	57	532 05 17-93 Hairpin Cotter
10	532 12 84-15 Pop Rivet	36	532 17 57-35 Hinge Bracket Assembly	58	532 43 45-14 Lower Handle
11	532 15 00-50 Screw, Self-Tapping #10-24 x 5/8	37	532 42 88-67 Screw, Sems, Thread Cutting 5/16-18 x 3/4	59	532 19 15-74 Handle Bolt
12	817 06 04-10 Screw, Hex Hex Head, Sems 1/4-20 x 1/2	38	532 40 30-73 Discharge Deflector	64	--- Engine, Briggs & Stratton, Model Number 126T02-1601-B1 (For engine service and replacement parts, call Briggs & Stratton at 1-800-233-3723)
14	532 19 70-76 Back Plate	39	532 19 70-28 Handle Bracket Assembly, LH	65	532 19 74-80 O-Ring
15	532 41 13-34 Side Baffle	40	532 19 70-27 Handle Bracket Assembly, RH	68	532 41 06-23 Wheel Adjusting Bracket, LH
16	532 17 71-33 Discharge Baffle	41	532 15 04-06 Screw, Hex Head, Threaded, Rolled 3/8-16 x 1-1/8	69	532 19 79-91 Clip, Cable
17	532 14 89-41 Rear Baffle	42	532 19 30-00 Spring, Torsion	71	532 42 90-01 Belt Keeper
18	532 13 20-04 Keps Locknut 1/4-20	43	873 80 04-00 Nut, Hex, Nylon	--	532 40 47-64 Warning Decal (not shown)
19	532 19 47-88 Rope Guide	44	532 43 05-11 Kit, Mower Housing (Includes Key Numbers 14, 15 and 51)	--	532 19 37-33 Operator's Manual, English
20	532 41 31-60 Rear Skirt	45	532 17 56-50 Rod, Hinge	--	532 19 37-36 Operator's Manual, French
21	532 40 54-21 Spring, Rear Door, LH	46	532 42 11-76 Blade Adapter / Pulley	--	580 74 33-32 Repair Parts Manual
24	532 40 54-23 Spring, Rear Door, RH	47	532 40 67-13 Blade, 22"		
25	532 40 91-48 Nut, Hex, Flanged	48	532 85 10-74 Washer, Hardened		

NOTE: All component dimensions given in U.S. inches. 1 inch = 25.4 mm.

IMPORTANT: Use only Original Equipment Manufacturer (O.E.M.) replacement parts. Failure to do so could be hazardous, damage your lawn mower and void your warranty.

POULAN PRO ROTARY LAWN MOWER - MODEL NO. PR675Y22 (MFG. ID. NO. 96142010700)



POULAN PRO ROTARY LAWN MOWER - MODEL NO. PR675Y22 (MFG. ID. NO. 96142010700)

KEY NO.	PART NO.	DESCRIPTION	KEY NO.	PART NO.	DESCRIPTION
1	532 19 46-53	Drive Control Cable	33	532 14 65-27	V-Belt
7	532 43 52-81	Bar, Drive Control	35	532 43 84-85	Kit, Wheel Adjuster, LH (Includes Knob and Bearing)
11	532 43 04-52	Wheel & Tire Assembly, Front	36	532 41 52-26	Gear Case Assembly, Complete
12	812 00 00-58	E-Ring	38	873 80 04-00	Locknut 1/4-20
13	532 40 38-49	Pinion	40	532 13 70-90	Spring
14	532 18 94-03	Dust Cover	41	532 43 84-86	Kit, Wheel Adjuster, RH (Includes Knob and Bearing)
15	532 40 48-45	Pawl, Drive	54	532 41 10-62	Grassbag Assembly
16	532 06 77-25	Washer, Flat 3/8	57	532 41 19-52	Frame, Grassbag
17	532 42 18-36	Bearing, Wheel Adjuster Assembly	80	532 42 11-14	Water Washout Assembly
18	532 43 63-48	Selector Knob	81	532 41 97-35	Fitting, Hose, Water Washout
19	532 15 04-95	Retainer, Spring	82	532 41 55-85	Washer, Lock, Internal Tooth
27	532 17 52-62	Pan Head Tapping Screw #10-24 x 2-3/4	83	532 41 55-86	Locknut, Hex, with O-Ring
28	532 40 33-42	Drive Cover			
29	532 40 91-48	Locknut, Hex			

NOTE: All component dimensions given in U.S. inches. 1 inch = 25.4 mm.

IMPORTANT: Use only Original Equipment Manufacturer (O.E.M.) replacement parts. Failure to do so could be hazardous, damage your lawn mower and void your warranty.