

## LIMITED WARRANTY

The Manufacturer warrants to the original consumer purchaser that this product as manufactured is free from defects in materials and workmanship. For a period of two (2) years from date of purchase by the original consumer purchaser, we will repair or replace, at our option, without charge for parts or labor incurred in replacing parts, any part which we find to be defective due to materials or workmanship. This Warranty is subject to the following limitations and exclusions.

1. This warranty does not apply to the engine. Please refer to the applicable manufacturer's warranty on these items.
2. Transportation charges for the movement of any power equipment unit or attachment are the responsibility of the purchaser. Transportation charges for any parts submitted for replacement under this warranty must be paid by the purchaser unless such return is requested by the manufacturer.
3. The Warranty period for any products used for rental or commercial purposes is limited to 45 days from the date of original purchase.
4. This Warranty applies only to products which have been properly assembled, adjusted, operated, and maintained in accordance with the instructions furnished. This Warranty does not apply to any product which has been subjected to alteration, misuse, abuse, improper assembly or installation, delivery damage, or to normal wear of the product.
5. Exclusions: Excluded from this Warranty are belts, rotating lines, rotating line adapters, normal wear, normal adjustments, standard hardware and normal maintenance.
6. In the event you have a claim under this Warranty, you must return the product to an authorized service dealer.

Should you have any unanswered questions concerning this Warranty, please contact:

Poulan Pro  
Customer Service Department  
1030 Stevens Creek Road  
Augusta, GA 30907 USA

In Canada contact:

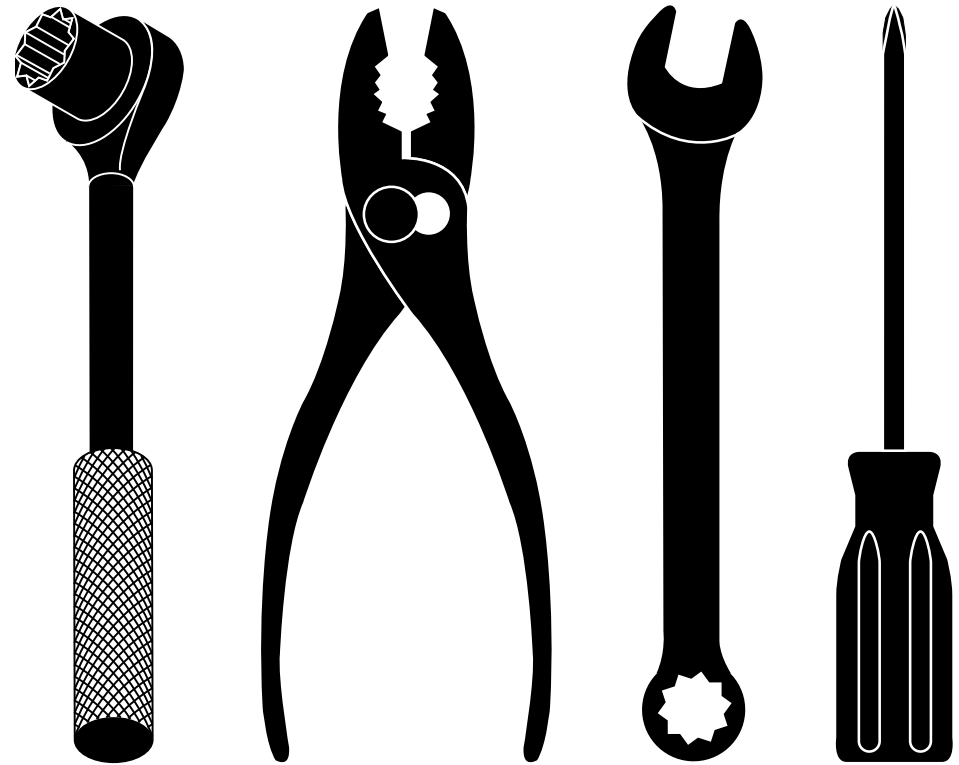
Poulan Pro  
Customer Service Department  
5855 Terry Fox Way  
Mississauga, Ontario L5V 3E4

giving the model number, serial number and date of purchase of your product and the name and address of the authorized dealer from whom it was purchased.

**THIS WARRANTY DOES NOT APPLY TO INCIDENTAL OR CONSEQUENTIAL DAMAGES AND ANY IMPLIED WARRANTIES ARE LIMITED TO THE SAME TIME PERIODS STATED HEREIN FOR OUR EXPRESSED WARRANTIES.**

Some areas do not allow the limitation of consequential damages or limitations of how long an implied Warranty may last, so the above limitations or exclusions may not apply to you. This Warranty gives you specific legal rights, and you may have other rights which vary from locale to locale.

This is a limited Warranty within the meaning of that term as defined in the Magnuson-Moss Act of 1975.



# REPAIR PARTS MANUAL MODEL NUMBER PR22WT (MFG. ID. NO. 96172001200) Wheeled Weed Trimmer

For Parts and Service or Technical Assistance, call 1-800-487-5951

# Poulan PRO

**NOTE:** Gasoline containing up to 10% ethanol (E10) is acceptable for use in this machine. The use of any gasoline exceeding 10% ethanol (E10) will void the product warranty.

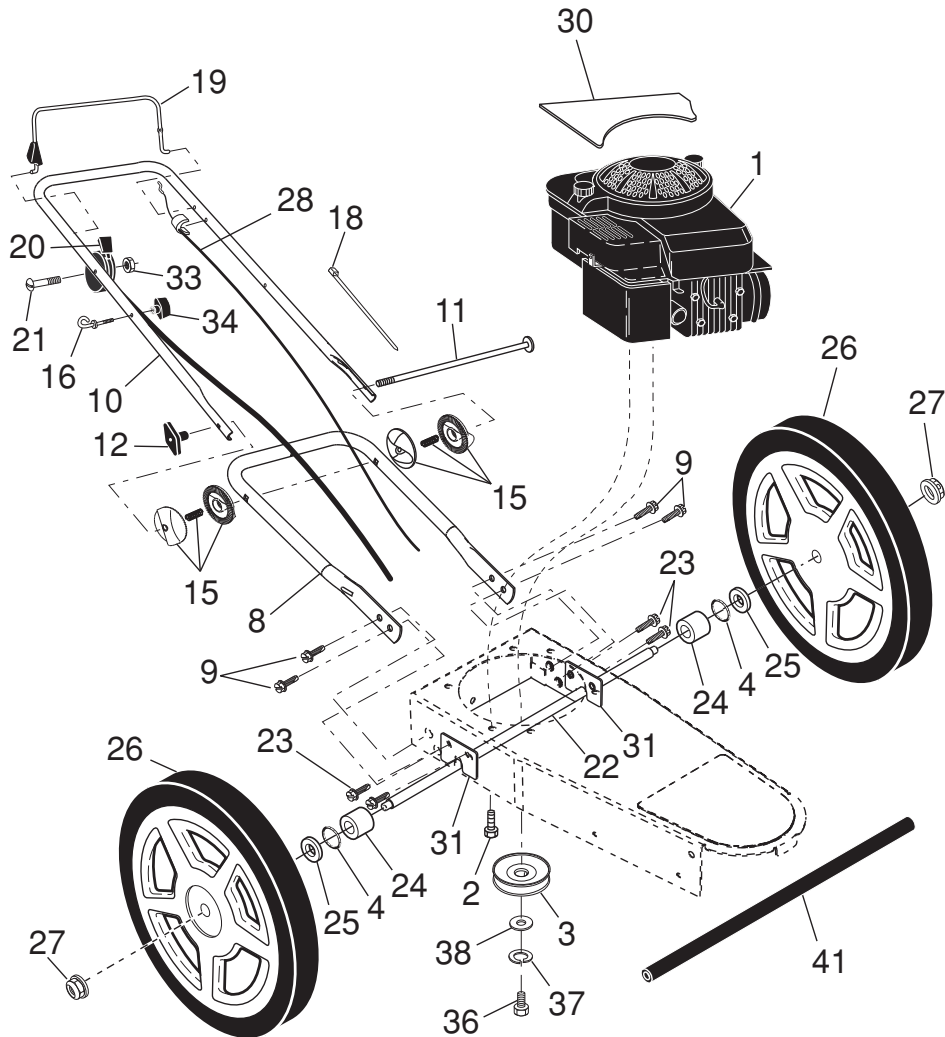
586 16 46-27 Rev. 1 01.17.14 BY

Printed in U.S.A.

# Poulan PRO

**POULAN PRO WHEELED WEEDTRIMMER**  
MODEL NUMBER PR22WT (MFG. ID. NO. 96172001200)

**SERVICE NOTES**

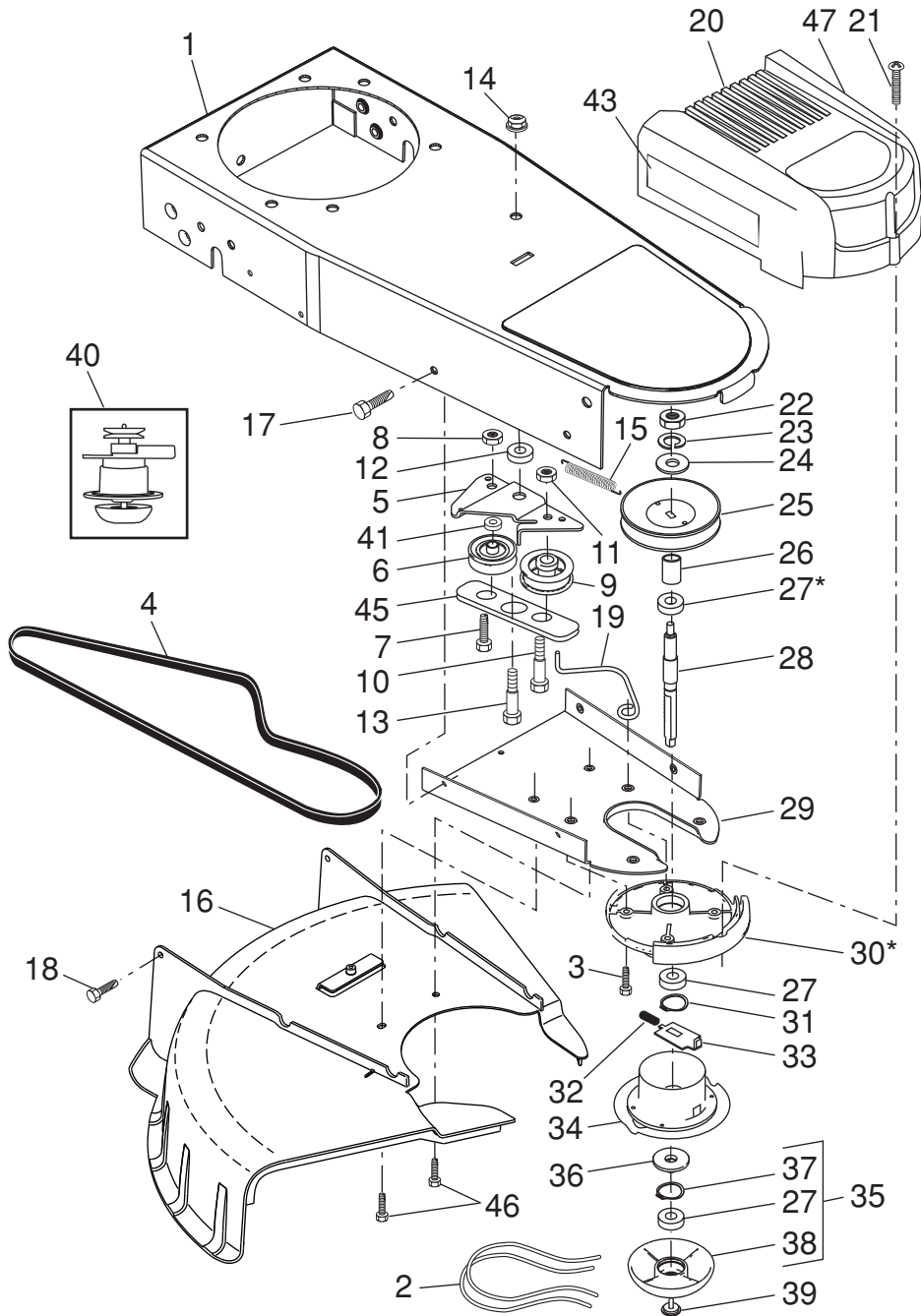


# SERVICE NOTES

# POULAN PRO WHEELED WEEDTRIMMER MODEL NUMBER PR22WT (MFG. ID. NO. 96172001200)

KEY NO.	PART NO.	DESCRIPTION
1	- - -	Engine, Briggs & Stratton, Model Number 122M02-0108-F1 (For engine service and replacement parts, call Briggs & Stratton at 1-800-233-3723)
2	532 15 04-06	Bolt, Engine Mounting 3/8-16
3	532 17 94-66	Pulley, Engine
4	532 19 74-80	O-Ring
8	532 18 67-54	Handle, Lower
9	532 42 88-67	Screw, Hex Washer Head 5/16-18 x 3/4
10	532 18 67-55	Handle, Upper
11	532 17 09-80	Bolt, Handle
12	532 19 19-38	Knob, Handle
15	532 17 97-51	Handle Adjuster Assembly
16	581 90 21-01	Guide, Rope
18	532 06 64-26	Wire Tire
19	585 64 53-13	Control Bar Assembly (Includes Trimmer Head Control Lever, Pin and Spring)
20	532 41 72-38	Throttle Control
21	532 15 87-55	Screw 1/4-20
22	532 44 78-29	Axle Shaft Assembly
23	532 42 88-67	Screw, Hex Washer Head 5/16-18 x 3/4
24	532 16 98-23	Washer, Axle
25	532 08 83-48	Washer, Flat 1/2
26	581 01 03-01	Wheel & Tire Assembly 12 x 1-3/4
27	532 40 91-49	Locknut, Hex 3/8-16
28	584 95 41-01	Drive Control Cable
30	584 99 06-01	Decal, Warning
31	532 42 62-97	Bracket, Axle
33	532 13 20-04	Nut, Hex
34	581 91 26-01	T-Knob
36	532 85 10-84	Bolt, Hex Head
37	532 85 02-63	Washer, Lock
38	532 85 10-74	Washer, Flat, Hardened
41	532 44 83-36	Tube, Axle
--	115 64 89-27	Manual, Operator's, English
--	115 64 89-31	Manual, Operator's, French
--	115 64 89-46	Manual, Operator's, Spanish
--	586 16 46-27	Manual, Repair Parts

**POULAN PRO WHEELED WEEDTRIMMER**  
**MODEL NUMBER PR22WT (MFG. ID. NO. 96172001200)**



**POULAN PRO WHEELED WEEDTRIMMER**  
**MODEL NUMBER PR22WT (MFG. ID. NO. 96172001200)**

KEY NO.	PART NO.	DESCRIPTION
1	532 43 63-53	Chassis Assembly
2	532 18 22-19	Line, Trimmer .155 diameter x 18.75 long
3	532 17 37-15	Screw, Self-Tapping 5/16-18 x 1
4	532 18 54-76	V-Belt
5	532 18 67-51	Bracket, Idler
6	532 16 60-42	Pulley, Idler, V-Groove
7	532 17 37-16	Bolt, Hex Head 3/8-16 x 1.25
8	873 93 06-00	Locknut, Hex 3/8-16
9	532 16 60-43	Pulley, Idler, Flat
10	532 16 08-29	Bolt, Shoulder
11	873 93 05-00	Locknut, Hex 5/16-18
12	532 17 37-17	Spacer
13	532 17 47-19	Bolt, Shoulder
14	532 40 91-49	Locknut, Flange
15	532 17 38-11	Spring, Return
16	584 95 32-01	Deflector, Bottom
17	817 06 04-10	Screw 1/4-20 x 5/8
18	532 17 88-48	Screw, Hex Washer Head #10-16 x 5/8
19	532 19 95-74	Belt Keeper
20	581 81 93-02	Cover, Chassis, Top
21	532 14 97-46	Screw #10-24 x 1-3/4
22	873 61 06-00	Nut, Hex 3/8-24 UNF
23	532 85 02-63	Washer, Lock 3/8
24	819 12 12-14	Washer, Flat 3/8
25	532 18 03-40	Pulley, Driven
26	532 17 25-51	Spacer, Pulley
27	532 17 45-49	Bearing
28	532 17 25-20	Jackshaft
29	532 18 67-52	Cover, Chassis, Bottom
30	532 17 45-43	Spindle Housing Assembly (* Includes Upper Bearing, Key No. 27)
31	532 17 45-81	Ring, Retaining, External, 17mm
32	532 17 39-73	Spring, Locking Plate
33	532 17 25-19	Locking Plate
34	532 18 03-38	Carrier Plate Assembly
35	532 18 22-17	Mow Ball Assembly (Includes Key Numbers 27, 37 and 38)
36	532 17 25-16	Cover, Bearing
37	532 17 45-80	Ring, Retaining, Internal, 40mm
38	532 17 25-23	Mow Ball
39	532 18 03-34	Bolt, Mow Ball
40	532 18 03-33	Spindle Assembly, Complete (Includes Key No. 22-28 and 30-39)
41	532 17 40-29	Spacer
43	532 17 40-42	Decal, Instruction, RH
45	532 18 67-53	Belt Keeper, Bottom
46	817 06 04-08	Screw, Self-Tapping
47	532 18 22-05	Decal, Instruction, LH