

LIMITED WARRANTY

The Manufacturer warrants to the original consumer purchaser that this product as manufactured is free from defects in materials and workmanship. For a period of two (2) years from date of purchase by the original consumer purchaser, we will repair or replace, at our option, without charge for parts or labor incurred in replacing parts, any part which we find to be defective due to materials or workmanship. This Warranty is subject to the following limitations and exclusions.

1. This warranty does not apply to the engine, transaxle/transmission components, battery (except as noted below) or components parts thereof. Please refer to the applicable manufacturer's warranty on these items.
2. Transportation charges for the movement of any power equipment unit or attachment are the responsibility of the purchaser. Transportation charges for any parts submitted for replacement under this warranty must be paid by the purchaser unless such return is requested by the manufacturer.
3. Battery Warranty: On products equipped with a Battery, we will replace, without charge to you, any battery which we find to be defective in manufacture, during the first ninety (90) days of ownership. After ninety (90) days, we will exchange the Battery, charging you 1/12 of the price of a new Battery for each full month from the date of the original sale. Battery must be maintained in accordance with the instructions furnished.
4. The Warranty period for any products used for rental or commercial purposes is limited to 45 days from the date of original purchase.
5. This Warranty applies only to products which have been properly assembled, adjusted, operated, and maintained in accordance with the instructions furnished. This Warranty does not apply to any product which has been subjected to alteration, misuse, abuse, improper assembly or installation, delivery damage, or to normal wear of the product.
6. Exclusions: Excluded from this Warranty are belts, blades, blade adapters, normal wear, normal adjustments, standard hardware and normal maintenance.
7. In the event you have a claim under this Warranty, you must return the product to an authorized service dealer.

Should you have any unanswered questions concerning this Warranty, contact:

Poulan Pro
Customer Service Department
9335 Harris Corners Parkway
Charlotte, NC 28269 USA

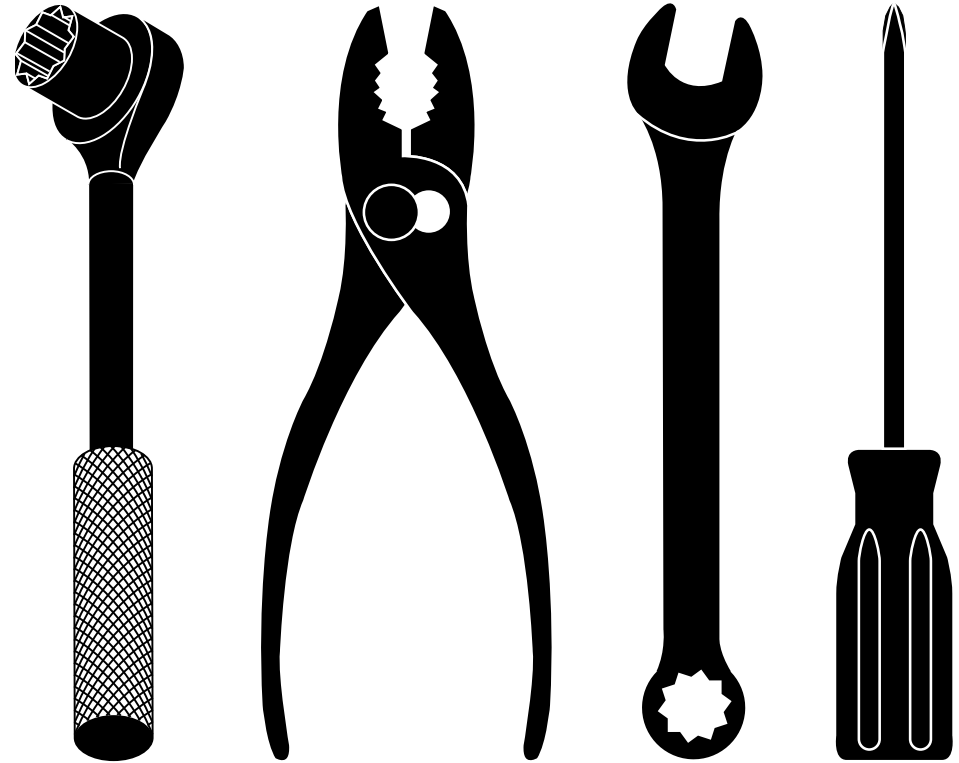
In Canada contact:
Poulan Pro
Customer Service Department
5855 Terry Fox Way
Mississauga, Ontario L5V 3E4

giving the model number, serial number and date of purchase of your product and the name and address of the authorized dealer from whom it was purchased.

THIS WARRANTY DOES NOT APPLY TO INCIDENTAL OR CONSEQUENTIAL DAMAGES AND ANY IMPLIED WARRANTIES ARE LIMITED TO THE SAME TIME PERIODS STATED HEREIN FOR OUR EXPRESSED WARRANTIES.

Some areas do not allow the limitation of consequential damages or limitations of how long an implied Warranty may last, so the above limitations or exclusions may not apply to you. This Warranty gives you specific legal rights, and you may have other rights which vary from locale to locale.

This is a limited Warranty within the meaning of that term as defined in the Magnuson-Moss Act of 1975.



REPAIR PARTS MANUAL

MODEL NO. PR675Y22RHP

MFG. ID. NO. 96142011202

Rotary Lawn Mower

For Parts and Service or Technical Assistance, call 1-800-487-5951

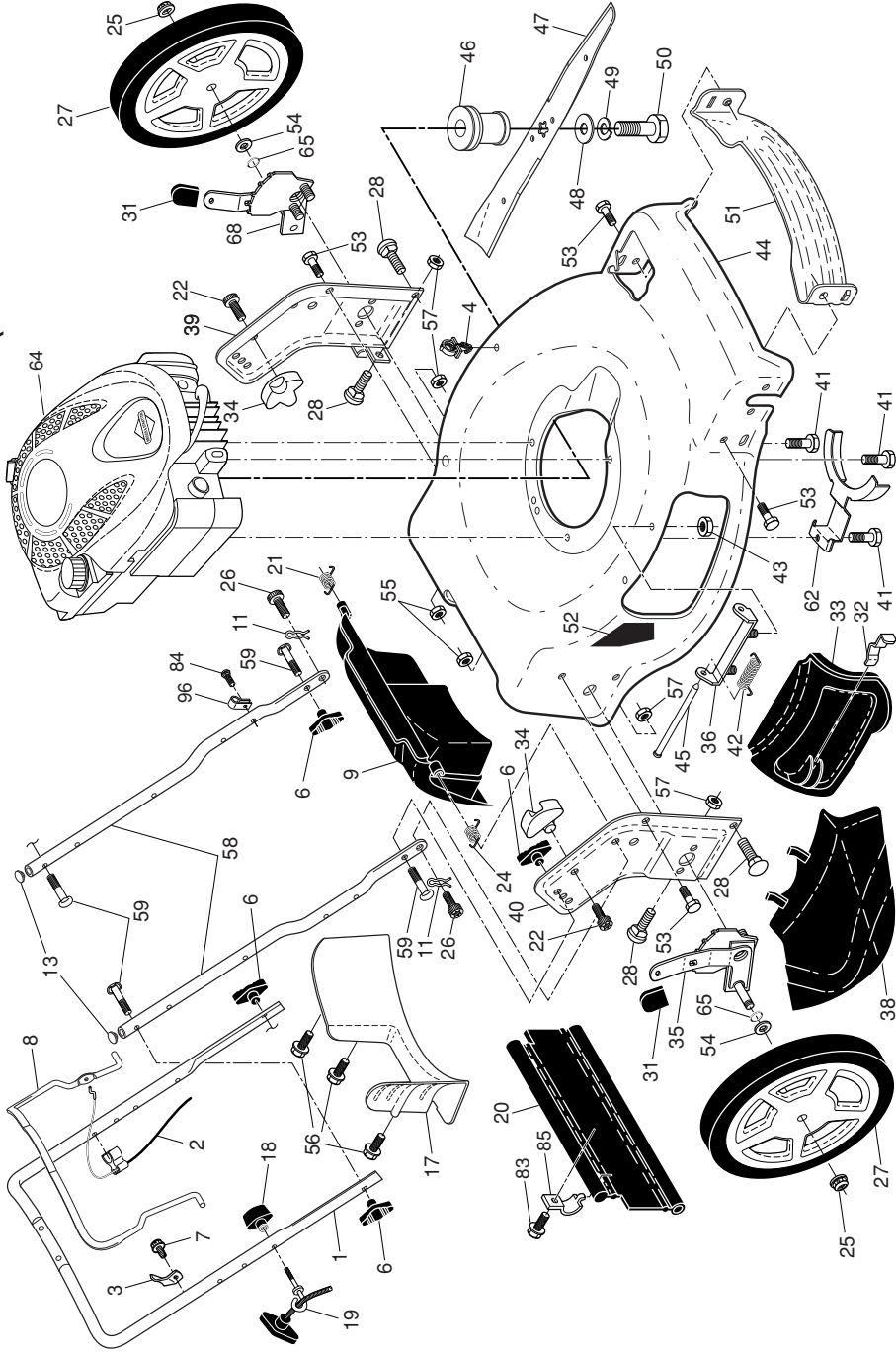
Poulan PRO

NOTE: Gasoline containing up to 10% ethanol (E10) is acceptable for use in this machine. The use of any gasoline exceeding 10% ethanol (E10) will void the product warranty.

586 80 81-27 03.28.14 BY

Printed in U.S.A.

Poulan PRO



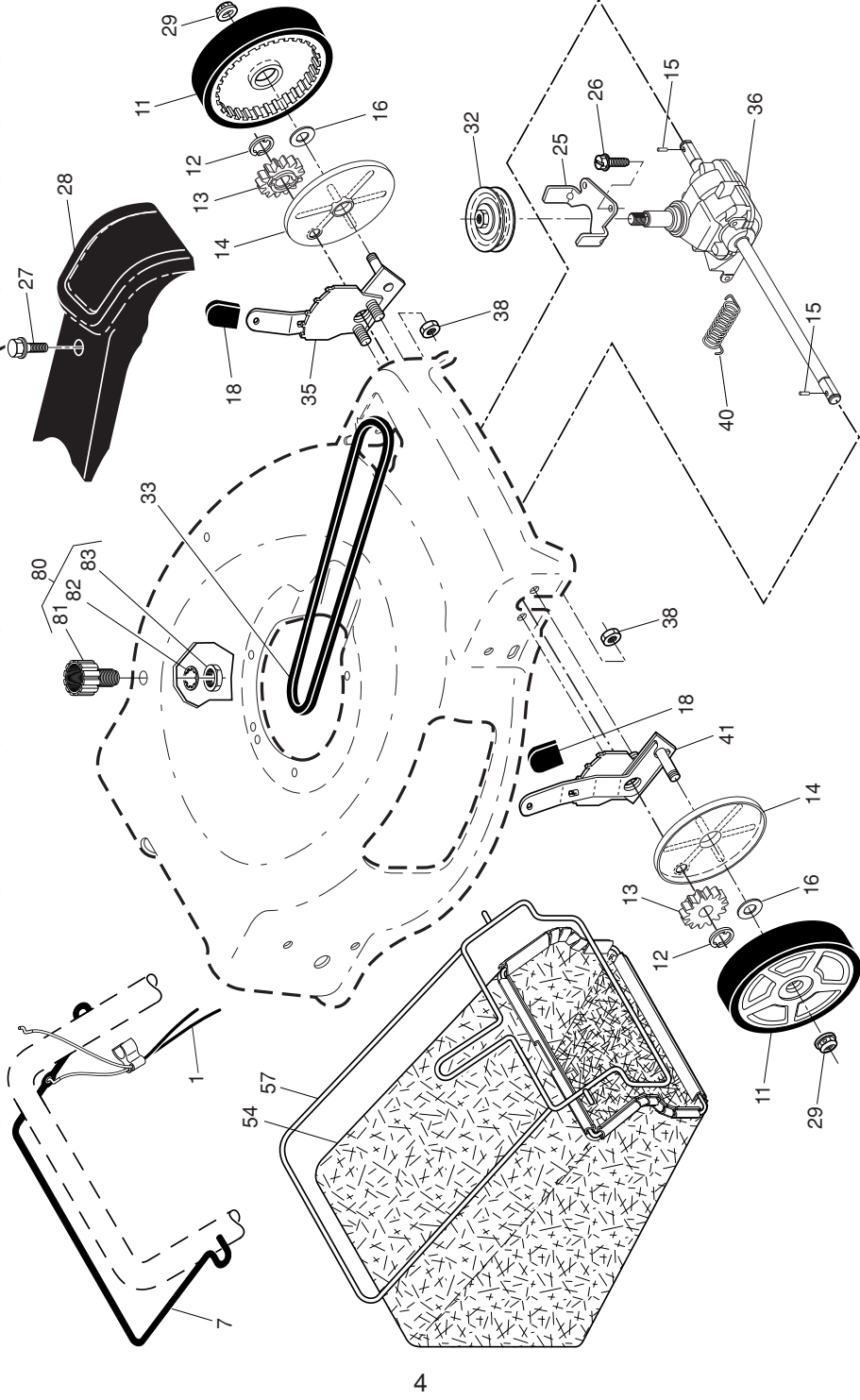
SERVICE NOTES

POULAN PRO ROTARY LAWN MOWER - MODEL NO. PR675Y22RHP (MFG. ID. NO. 96142011202)

KEY NO.	PART NO.	DESCRIPTION	KEY NO.	PART NO.	DESCRIPTION	KEY NO.	PART NO.	DESCRIPTION
1	532 42 77-38	Upper Handle	33	532 43 26-42	Mulcher Door	55	532 19 17-30	Nut, Hex, Flanged 1/4-20
2	532 42 09-39	Engine Zone Control Cable	34	532 43 81-34	Pivot Bracket	56	817 41 13-12	Screw, Hex Washer Head #13 x 3/4
3	532 43 00-34	Bracket, Upstop	35	532 43 11-40	Wheel Adjuster Assembly, RH (Includes Knob)	57	532 15 53-77	Locknut, Hex 5/16-18
4	532 14 50-06	Guide, Cable	36	532 17 57-35	Hinge Bracket Assembly	58	532 44 11-96	Bar, Lower Handle
6	532 19 19-38	Handle Knob	38	532 42 61-29	Discharge Deflector	59	532 19 15-74	Handle Bolt
7	532 17 88-48	Screw, Hex Washer Head #10-16 x 5/8	39	585 90 07-02	Handle Bracket, LH	62	532 43 50-59	Belt Retainer
8	581 80 20-01	Control Bar	40	585 90 08-02	Handle Bracket, RH	64	---	Engine, Briggs & Stratton, Model Number 126M02-1620-F4 (For engine service and replacement parts, call Briggs & Stratton at 1-800-233-3723)
9	532 42 10-84	Rear Door Assembly	41	532 15 04-06	Screw, Dogpoint 3/8-16 x 1-1/8	65	532 19 74-80	O-Ring
11	532 42 55-75	Hairpin	42	532 19 30-00	Spring, Torsion	68	532 43 11-41	Wheel Adjuster Assembly, LH (Includes Knob)
13	532 43 75-16	Plug, Lower Handle Bar	43	532 19 17-30	Nut, Hex, Nylock	83	532 75 00-97	Screw
17	532 42 73-07	Rear Baffle	44	581 70 83-08	Kit, Lawn Mower Housing	84	532 42 81-24	Fastener, Push
18	581 91 26-01	T-Knob	45	532 17 56-50	Rod, Hinge	85	532 43 45-30	Bracket, Skirt Mounting
19	581 90 21-01	Rope Guide	46	581 47 33-01	Blade Adapter / Pulley	96	532 19 79-91	Clip, Cable
20	532 42 91-57	Rear Skirt	47	532 42 04-63	Blade, 22"	--	115 58 78-27	Operator's Manual, English
21	532 41 99-49	Spring, Rear Door, LH, Black	48	532 85 10-74	Washer, Hardened	--	115 58 78-31	Operator's Manual, French
22	532 14 18-41	Screw, Pan Head, Torx #20	49	532 85 02-63	Washer, Helical	--	115 58 78-46	Operator's Manual, Spanish
24	532 41 99-48	Spring, Rear Door, RH, Grey	50	532 85 10-84	Screw, Machine, Hex Head 3/8-24 x 1-3/8 Grade 8	--	586 80 81-27	Repair Parts Manual
25	532 40 91-49	Nut, Hex, Flanged	51	532 43 05-99	Front Baffle			
26	532 41 99-45	Screw, Rear Door/Handle Pivot	52	532 40 47-63	Decal, Danger			
27	581 01 03-08	Wheel & Tire Assembly, Rear	53	817 00 05-10	Screw, Hex Head 5/16			
28	586 21 25-01	Bolt, Carriage 5/16-18 x 5/8	54	532 08 83-48	Washer, Flat			
31	532 70 10-37	Selector Knob						
32	532 44 11-92	Latch, Mulcher Door						

NOTE: All component dimensions given in U.S. inches. 1 inch = 25.4 mm. **IMPORTANT:** Use only Original Equipment Manufacturer (O.E.M.) replacement parts. Failure to do so could be hazardous, damage your lawn mower and void your warranty.

POULAN PRO ROTARY LAWN MOWER - MODEL NO. PR675Y22RHP (MFG. ID. NO. 96142011202)



4

POULAN PRO ROTARY LAWN MOWER - MODEL NO. PR675Y22RHP (MFG. ID. NO. 96142011202)

KEY NO.	PART NO.	DESCRIPTION	KEY NO.	PART NO.	DESCRIPTION
1	532 42 49-19	Drive Control Cable	32	532 44 32-62	Drive Pulley
7	532 43 52-81	Bar, Drive Control	33	532 19 68-53	V-Belt
11	581 00 92-01	Wheel & Tire Assembly, Front	35	581 49 79-03	Wheel Adjuster Assembly, LH (Includes Bearing)
12	812 00 00-58	E-Ring	36	532 42 47-41	Gear Case Assembly, Complete
13	532 40 38-49	Pinion	38	532 19 17-30	Locknut 1/4-20
14	581 84 04-01	Dust Cover	40	532 40 65-58	Spring
15	532 40 48-45	Pawl, Drive	41	581 49 79-04	Wheel Adjuster Assembly, RH (Includes Bearing)
16	532 06 77-25	Washer, Flat 3/8	54	580 94 73-09	Grassbag
18	532 70 10-37	Selector Knob	57	585 05 47-02	Frame, Grassbag
25	532 43 17-11	Belt Guide Bracket	80	532 42 11-14	Water Washout Assembly
26	532 16 34-09	Screw, Hi-Lo Thread #12 x 5/8	81	532 41 97-35	Fitting, Hose, Water Washout
27	532 17 52-62	Screw, Pan Head, Self-Tapping #10-24 x 2-3/4	82	532 41 55-85	Washer, Lock, Internal Tooth
28	532 42 10-86	Drive Cover	83	532 41 55-86	Locknut, Hex, with O-Ring
29	532 40 91-48	Locknut, Hex			

5

NOTE: All component dimensions given in U.S. inches. 1 inch = 25.4 mm. **IMPORTANT:** Use only Original Equipment Manufacturer (O.E.M.) replacement parts. Failure to do so could be hazardous, damage your lawn mower and void your warranty.