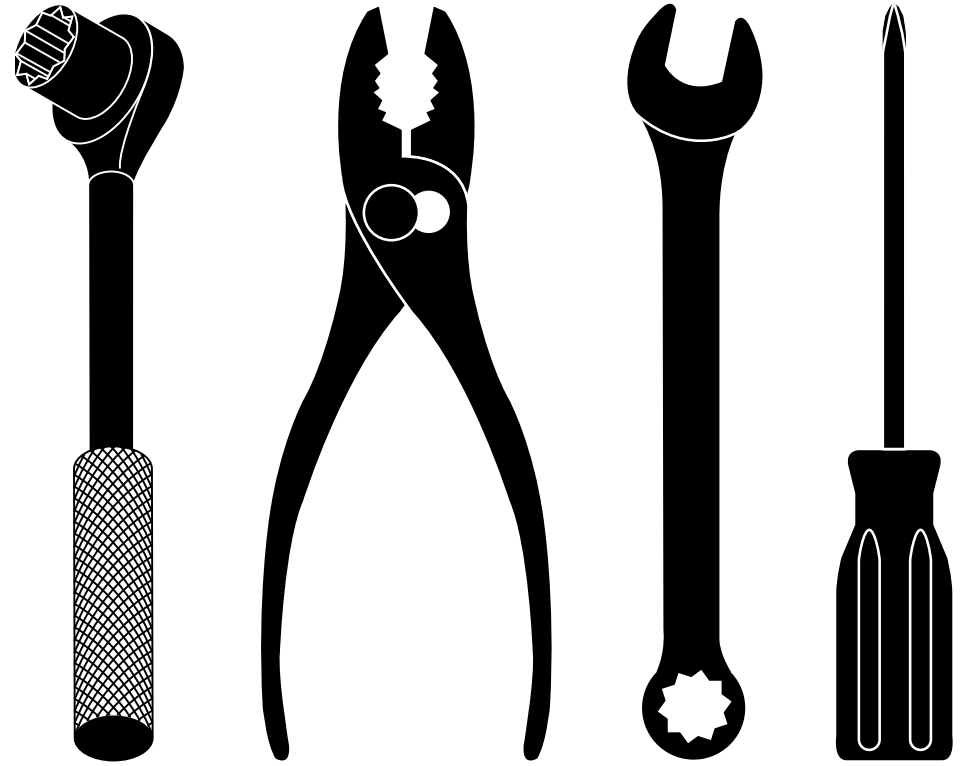


Poulan PRO



REPAIR PARTS MANUAL MODEL NUMBER **PR22WT** (MFG. ID. NO. 96172001500) **Wheeled Weed Trimmer**

For Parts and Service or Technical Assistance, call 1-800-487-5951

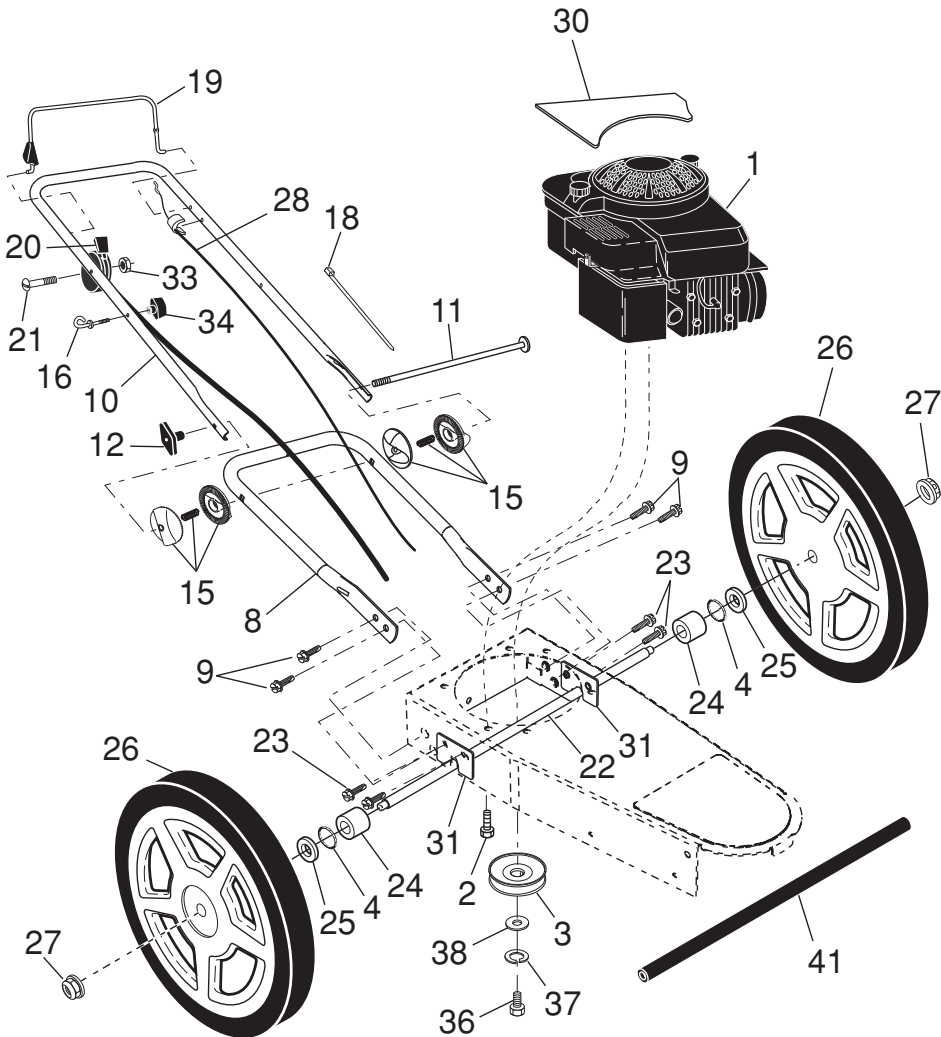
NOTE: Gasoline containing up to 10% ethanol (E10) is acceptable for use in this machine.
The use of any gasoline exceeding 10% ethanol (E10) will void the product warranty.

587 92 08-27 01.14.15 BY

Printed in U.S.A.

Poulan PRO

POULAN PRO WHEELED WEEDTRIMMER
MODEL NUMBER PR22WT (MFG. ID. NO. 96172001500)



Poulan, Poulan Pro, Weedeater, & McCulloch® Warranty Chart 2015	Consumer (personal, household use only)	Commercial (any commercial, professional, agri- cultural, institutional or income producing use, other than rental use)	Rental (any rental usage)
HANDHELD PRODUCTS			
Cordless products	2 Years	No Warranty	No Warranty
Electric Chainsaws	1 Year	No Warranty	No Warranty
Electric Lawn & Garden	2 Years	No Warranty	No Warranty
Poulan Gas Chainsaws	1 Year	No Warranty	No Warranty
Poulan Pro Gas Chainsaws	2 Years	No Warranty	No Warranty
Gas Lawn & Garden	2 Years	No Warranty	No Warranty
McCulloch	2 Year	No Warranty	No Warranty
WHEELED PRODUCTS			
All Wheeled Lawn and Garden ⁽¹⁾	2 Years	No Warranty	No Warranty
Lead-Acid Batteries (for all wheeled products) ⁽²⁾	180 days	180 days	180 days
Engines			
<i>Rato, LCT, Locin</i>	2 years	90 days	No Warranty
<i>All Others</i>	See Note 1	See Note 1	See Note 1
Transmission / Drive Systems			
<i>Tuff Torq, General Transmission</i>	2 Years	No Warranty	No Warranty
<i>Peerless</i>	3 Years	No Warranty	No Warranty
<i>Hydro-Gear</i>	See note 3	See note 3	See note 3
<i>All Others</i>	See note 3	See note 3	See note 3
Decks			
<i>Zero-Turn Mowers and Riding Tractors with steel reinforced</i>	10 Years	No Warranty	No Warranty
<i>Zero-Turn Mowers and Riding Tractors fabricated deck shell</i>	See Note 1	No Warranty	No Warranty
PARTS AND ACCESSORIES			
Parts and Accessories (if purchased)⁽⁴⁾			
<i>Collection Systems and Baggers</i>	1 Year	90 days	No Warranty
<i>All other accessories (e.g., bars, chains, carrying cases, trimmer</i>	90 days	30 days	No Warranty
<i>Parts (e.g., belts, blades, starter covers, starter springs, etc.)</i>	30 days	30 days	No Warranty
Reconditioned or Refurbished Products	30 days	No Warranty	No Warranty

- 1 Your engine is warranted separately by the engine manufacturer; please refer to the separate engine warranty provided with your product.
- 2 Battery warranty does not include discharged or uncharged batteries.
- 3 Hydro-Gear warrants transmission for two (2) years consumer warranty, parts and labor.
 Snow Throwers and Lawn Tractors:
 Hydro-Gear warrants transmission for two (2) years consumer warranty, parts and labor.
 For all others, your transmission is warranted separately by the transmission manufacturer; please refer to the separate transmission warranty provided with your product.
- 4 Replacement parts and accessories provided under this Limited Warranty are warranted only for the BALANCE of the warranty period applicable to the part or accessory that was replaced.

Product Registration

Please register your product at corresponding website:

www.poulan.com; www.poulanpro.com; www.weedeater.com; or www.mcculloch.com

Go to "Customer Support" then "Product Registration"

You may call 1-800-487-5951 (US) or 1-800-805-5523 (Canada) to have your product registered.
 Please have all product information ready prior to calling Consumer Support.

LIMITED WARRANTY

What is covered. We warrant that this product is free from defects in material or workmanship under normal use and maintenance. Certain components, such as normal wear parts, engines, and transmissions are excluded from this warranty. We will, at our option, repair or replace any defective product or part covered by the Limited Warranty, free of charge at any authorized Servicing Dealer/Center using OEM replacement parts, subject to the limitations and exclusions described below.

Limited Warranty period. We will warrant the product to the original retail purchaser from the date of retail purchase for the applicable period of time shown on the chart below.

What is NOT covered. This Limited Warranty does not cover:

- Engines and transmissions, except as noted on the chart below; a separate warranty provided with your product might apply.
- Normal wear parts (parts and items that normally wear out with use), including without limitation spark plugs, bulbs, filters, lubricants, starter cords, belts, blades, and blade adapters are not covered, nor is damage due to normal wear, such as abrasion to mower decks, tires punctured by an external source, natural discoloration of materials, or dulling or damage to blades due to contact with abrasives, rocks, rods, or other foreign objects.
- Emissions control equipment and components to the extent regulated by the U.S. Environmental Protection Agency or similar government agencies. These are covered by a separate emission control warranty contained in the operator's manual.
- Depending on the product, there is either NO WARRANTY or a reduced warranty if the product is used for commercial, non-residential, or rental purposes and, in such circumstances, this Limited Warranty is offered instead of and replaces any warranty regime provided by law. Please refer to the chart below.
- Damage related to abuse, misuse, neglect, modifications, alterations, use of unauthorized attachments, improper storage, or lack of lubrication or engine failure due to the use of oils that do not meet engine manufacturer's specifications, pressure cleaning or steam cleaning the product, excessive dirt, abrasives, salt water, moisture, corrosion, rust, or varnish. Failure to perform required maintenance as described in the operator's manual will void this warranty.
- Damage or failures due to improper set up, pre-delivery service or repair service by anyone other than an authorized servicing dealer during the warranty period.
- Damage caused by use of gasoline containing more than 10% (E10) ethanol content (e.g. E15, E25, E30, E50, E85), use of ether or similar starting fluids, or stale fuel.
- Damage to sprayers from using caustic or flammable materials in the sprayer, or lack of or broken strainers.

Your Responsibilities. To preserve your rights under this Limited Warranty, you must exercise reasonable care and use of the product, including following the preventive maintenance, storage, and fuel and oil usages as prescribed in the operator's manual. Any adjustment (e.g. to the throttle cable or belt guides) after the first thirty days of purchase and any preventive maintenance as outlined in the operator's manual are NOT covered. In addition, you must cease using the product immediately upon any failure or damage, and take the product to an authorized servicing dealer prior to any further use.

WARRANTY EXCLUSIONS, DISCLAIMERS, AND LIMITED RIGHTS. WE WILL NOT BE LIABLE FOR ANY INCIDENTAL OR CONSEQUENTIAL DAMAGES. YOUR REMEDY IS LIMITED TO REPAIR OR REPLACEMENT OF THE PRODUCT OR PART, AT OUR DISCRETION. THERE ARE NO EXPRESS WARRANTIES OTHER THAN THOSE SET FORTH HEREIN. ANY WARRANTY IMPLIED BY STATE LAW (WHETHER OF MERCHANTABILITY OR FITNESS FOR A PARTICULAR USE OR OTHERWISE) IS HEREBY DISCLAIMED; WHERE SUCH A DISCLAIMER IS NOT PERMITTED BY LAW, THEN SUCH IMPLIED WARRANTY IS LIMITED FOR THE DURATION OF THE APPLICABLE LIMITED WARRANTY PERIOD LISTED IN THE CHART BELOW. SOME LOCALITIES, INCLUDING THE PROVINCE OF QUEBEC, DO NOT ALLOW EXCLUSIONS OF INCIDENTAL OR CONSEQUENTIAL DAMAGES OR LIMITATIONS ON HOW LONG AN IMPLIED WARRANTY LASTS, SO THE ABOVE EXCLUSIONS AND LIMITATIONS MAY NOT APPLY TO YOU.

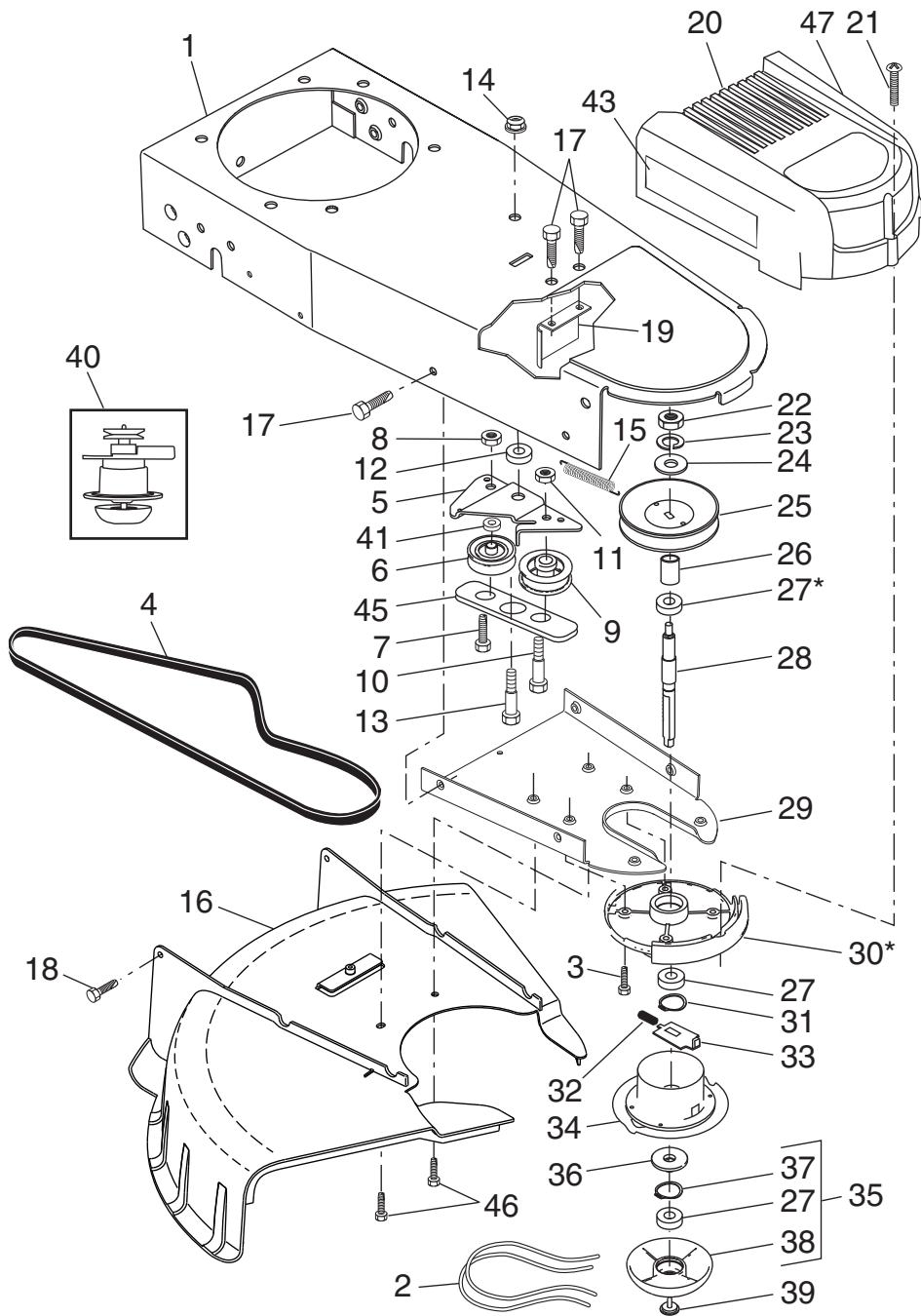
THIS LIMITED WARRANTY GIVES YOU SPECIFIC LEGAL RIGHTS, AND YOU MAY ALSO HAVE OTHER RIGHTS BASED ON YOUR LOCALITY.

How to obtain service. To obtain warranty service, you must take your product to an authorized Servicing Dealer/Center. To find your nearest authorized Servicing Dealer/Center, visit our website and use the Dealer Locator feature, or call 1-800-487-5951 from 8:00 AM to 7:00 PM EST. Any costs to transport or ship the product are your responsibility. You must present proof of purchase (including date, product model and serial number) to an authorized Servicing Dealer/Center for warranty service. Proof of purchase rests solely with you. You may register your product using our online product registration site to help ensure that you are notified of important product information. However, registering your product is not a condition of warranty service.

POULAN PRO WHEELED WEEDTRIMMER MODEL NUMBER PR22WT (MFG. ID. NO. 96172001500)

KEY NO.	PART NO.	DESCRIPTION
1	---	Engine, Briggs & Stratton, Model Number 122M02-0108-F1 (For engine service and replacement parts, call Briggs & Stratton at 1-800-233-3723)
2	532 15 04-06	Bolt, Engine Mounting 3/8-16
3	532 17 94-66	Pulley, Engine
4	532 19 74-80	O-Ring
8	532 18 67-54	Handle, Lower
9	532 42 88-67	Screw, Hex Washer Head 5/16-18 x 3/4
10	532 18 67-55	Handle, Upper
11	532 17 09-80	Bolt, Handle
12	532 19 19-38	Knob, Handle
15	532 17 97-51	Handle Adjuster Assembly
16	581 90 21-01	Guide, Rope
18	532 06 64-26	Wire Tire
19	585 64 53-13	Control Bar Assembly (Includes Trimmer Head Control Lever, Pin and Spring)
20	586 86 12-01	Throttle Control
21	532 18 33-65	Screw 1/4-20
22	532 44 78-29	Axle Shaft Assembly
23	532 42 88-67	Screw, Hex Washer Head 5/16-18 x 3/4
24	532 16 98-23	Washer, Axle
25	532 08 83-48	Washer, Flat 1/2
26	581 01 03-05	Wheel & Tire Assembly 12 x 1-3/4
27	532 40 91-49	Locknut, Hex 3/8-16
28	584 95 41-01	Drive Control Cable
30	584 99 06-01	Decal, Warning
31	532 42 62-97	Bracket, Axle
33	532 13 20-04	Nut, Hex
34	581 91 26-01	T-Knob
36	532 85 10-84	Bolt, Hex Head
37	532 85 02-63	Washer, Lock
38	532 85 10-74	Washer, Flat, Hardened
41	532 44 83-36	Tube, Axle
--	115 64 89-27	Manual, Operator's, English
--	115 64 89-31	Manual, Operator's, French
--	115 64 89-46	Manual, Operator's, Spanish
--	587 92 08-27	Manual, Repair Parts

POULAN PRO WHEELED WEEDTRIMMER
MODEL NUMBER PR22WT (MFG. ID. NO. 96172001500)



POULAN PRO WHEELED WEEDTRIMMER
MODEL NUMBER PR22WT (MFG. ID. NO. 96172001500)

KEY NO.	PART NO.	DESCRIPTION
1	581 70 83-82	Chassis Assembly
2	532 18 22-19	Line, Trimmer .155 diameter x 18.75 long
3	532 17 37-15	Screw, Self-Tapping 5/16-18 x 1
4	532 18 54-76	V-Belt
5	586 90 91-02	Bracket, Idler
6	532 16 60-42	Pulley, Idler, V-Groove
7	532 17 37-16	Bolt, Hex Head 3/8-16 x 1.25
8	873 93 06-00	Locknut, Hex 3/8-16
9	532 16 60-43	Pulley, Idler, Flat
10	532 16 08-29	Bolt, Shoulder
11	873 93 05-00	Locknut, Hex 5/16-18
12	532 17 37-17	Spacer
13	532 17 47-19	Bolt, Shoulder
14	532 40 91-49	Locknut, Flange
15	532 17 38-11	Spring, Return
16	584 95 32-01	Deflector, Bottom
17	817 06 04-10	Screw 1/4-20 x 5/8
18	532 17 88-48	Screw, Hex Washer Head #10-16 x 5/8
19	586 91 66-03	Belt Keeper
20	581 81 93-02	Cover, Chassis, Top
21	532 14 97-46	Screw #10-24 x 1-3/4
22	873 61 06-00	Nut, Hex 3/8-24 UNF
23	532 85 02-63	Washer, Lock 3/8
24	819 12 12-14	Washer, Flat 3/8
25	532 18 03-40	Pulley, Driven
26	532 17 25-51	Spacer, Pulley
27	532 17 45-49	Bearing
28	532 17 25-20	Jackshaft
29	532 18 67-52	Cover, Chassis, Bottom
30	532 17 45-43	Spindle Housing Assembly (* Includes Upper Bearing, Key No. 27)
31	532 17 45-81	Ring, Retaining, External, 17mm
32	532 17 39-73	Spring, Locking Plate
33	532 17 25-19	Locking Plate
34	532 18 03-38	Carrier Plate Assembly
35	532 18 22-17	Mow Ball Assembly (Includes Key Numbers 27, 37 and 38)
36	532 17 25-16	Cover, Bearing
37	532 17 45-80	Ring, Retaining, Internal, 40mm
38	532 17 25-23	Mow Ball
39	532 18 03-34	Bolt, Mow Ball
40	532 18 03-33	Spindle Assembly, Complete (Includes Key No. 22-28 and 30-39)
41	532 17 40-29	Spacer
43	532 17 40-42	Decal, Instruction, RH
45	532 18 67-53	Belt Keeper, Bottom
46	817 06 04-08	Screw, Self-Tapping
47	532 18 22-05	Decal, Instruction, LH