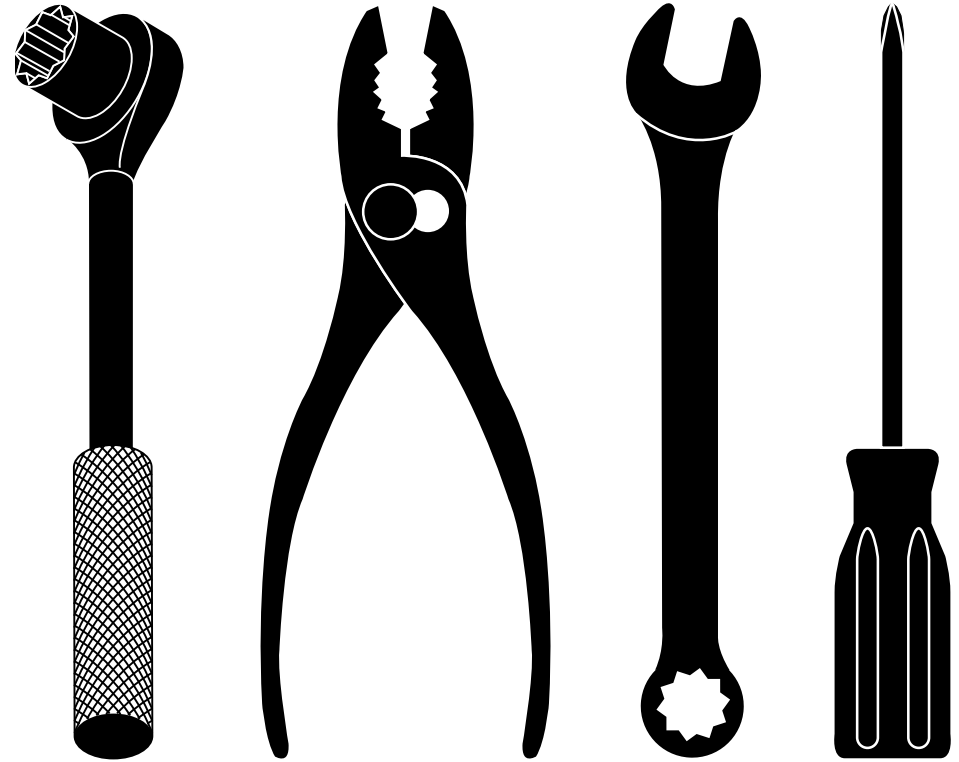


Poulan PRO

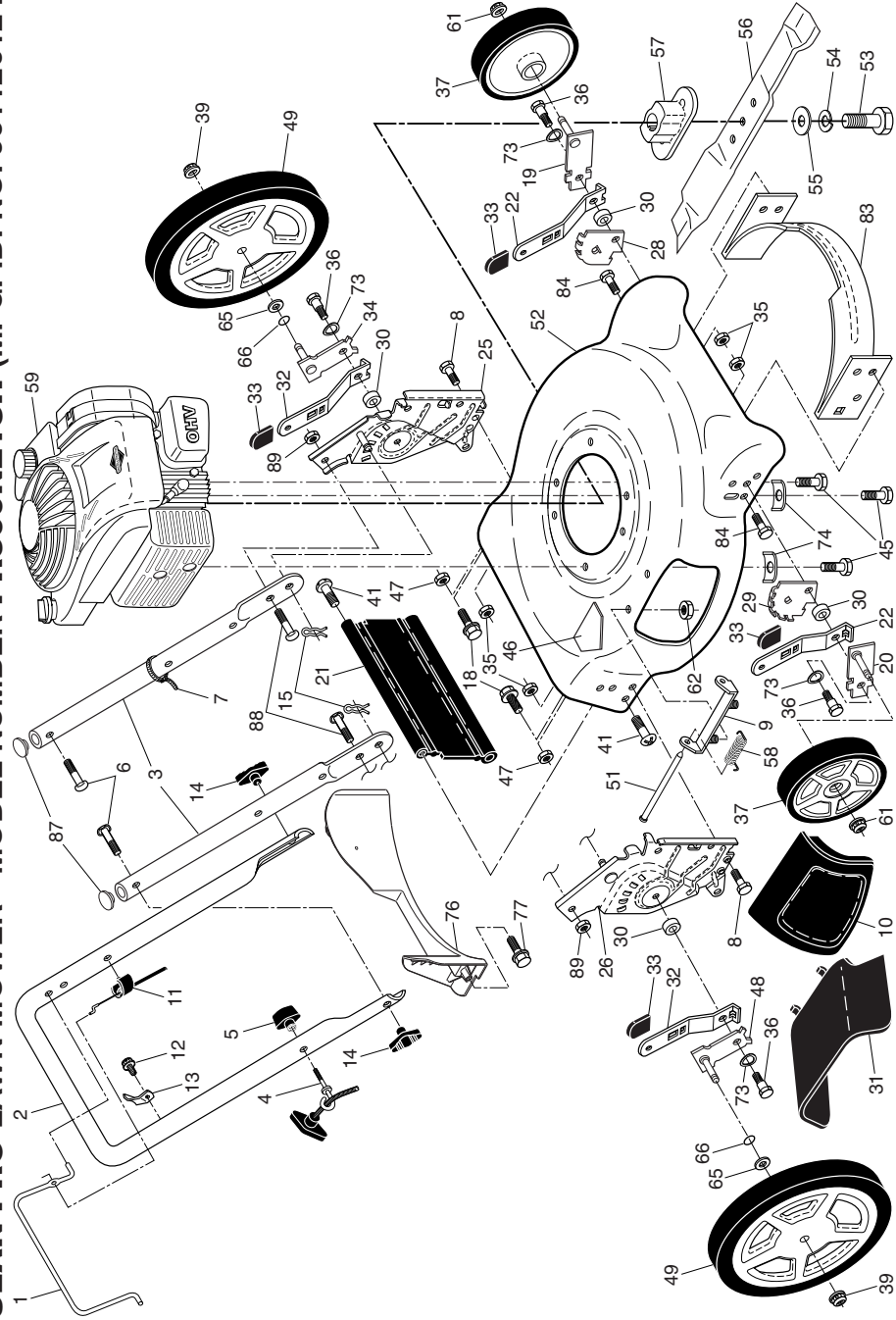


REPAIR PARTS MANUAL MODEL NO. **PR500N21SH** MFG. ID. NO. 96112012404 Rotary Lawn Mower

NOTE: Gasoline containing up to 10% ethanol (E10) is acceptable for use in this machine.
The use of any gasoline exceeding 10% ethanol (E10) will void the product warranty.

For Parts and Service or Technical Assistance, call 1-800-487-5951

Poulan PRO



SERVICE NOTES

POULAN PRO LAWN MOWER - MODEL NUMBER PR500N21SH (MFG. ID. NO. 96112012404)

KEY NO.	PART NO.	DESCRIPTION	KEY NO.	PART NO.	DESCRIPTION	KEY NO.	PART NO.	DESCRIPTION
1	532 44 73-65	Control Bar	29	532 41 44-40	Wheel Adjusting Bracket, Front, RH	57	581 54 79-01	Blade Adapter
2	532 44 82-63	Upper Handle	30	532 40 16-29	Spacer	58	532 15 21-24	Hinge Spring
3	580 63 86-02	Bar, Lower Handle	31	532 16 57-60	Discharge Deflector	59	---	Engine, Briggs & Stratton, Model Number 9P602-0085-F1 (For engine service and replacement parts, call Briggs & Stratton at 1-800-233-3723)
4	581 90 21-01	Rope Guide	32	532 44 15-59	Selector Spring, Rear	61	532 40 91-48	Flanged Locknut
5	581 91 26-01	T-Knob	33	532 08 78-77	Selector Knob	62	873 80 04-00	Nut, Hex
6	532 19 15-74	Handle Bolt	34	532 41 06-00	Axle Arm Assy., Rear, LH	65	532 08 83-48	Washer, Flat
7	532 06 64-26	Wire Tie	35	532 42 65-89	Locknut, Hex 5/16-18	66	532 19 74-80	O-Ring
8	874 78 05-12	Bolt, Hex Head 5/16-18 x 3/4	36	532 40 16-38	Shoulder Bolt 5/16-18	73	532 40 16-30	Washer, Curved, Cylindrical
9	532 15 41-32	Hinge Bracket	37	532 43 05-01	Wheel & Tire Assembly, Front 7 x 1-3/4	74	532 12 50-78	Washer, Special, Engine
10	532 16 57-54	Mulcher Door	39	532 40 91-49	Nut, Hex	76	532 41 05-89	Baffle, Rear
11	532 44 09-34	Engine Zone Control Cable	41	532 19 41-86	Screw, Hinge	77	817 41 13-12	Screw, Rear Baffle
12	532 17 88-48	Hex Washer Head Screw #10-16 x 5/8	45	532 15 04-06	Hex Head Thread Rolling Screw 3/8-16 x 1	83	532 42 85-01	Baffle, Front
13	532 43 00-34	Up-Stop Bracket	46	532 40 47-63	Danger Decal	84	817 00 05-10	Screw, Hex Head 5/8-16
14	532 19 19-38	Handle Knob	47	532 75 11-53	Nut, Hex	87	532 43 75-16	Plug, Handle Bar
15	532 05 17-93	Hairpin Cotter	48	532 41 06-01	Axle Arm Assy., Rear, RH	88	586 21 25-01	Bolt, Carriage
18	817 60 04-06	Screw	49	581 01 03-22	Wheel & Tire Assembly, Rear 12 x 1-3/4	89	873 97 05-00	Locknut, Hex, Flanged
19	532 40 66-89	Axle Arm Assembly, Front, LH	51	532 14 72-86	Hinge Rod	--	581 27 63-01	Bag of Parts (includes Key Numbers 88 and 89)
20	532 40 66-90	Axle Arm Assembly, Front, RH	52	581 70 83-03	Kit, Housing (includes #46)	--	532 40 47-64	Warning Decal (not shown)
21	532 41 68-60	Kit, Rear Skirt	53	532 85 10-84	Screw, Hex Head, Grade 8 3/8-24 x 1-3/8	--	115 58 77-27	Operator's Manual, English
22	532 40 64-28	Selector Spring, Front	54	532 85 02-63	Helical Lockwasher	--	115 58 77-31	Operator's Manual, French
25	580 91 56-02	Handle Bracket, LH	55	532 85 10-74	Hardened Washer	--	115 58 77-46	Operator's Manual, Spanish
26	580 91 57-02	Handle Bracket, RH	56	532 40 67-12	21" Blade	--	587 85 41-27	Repair Parts Manual
28	532 41 44-41	Wheel Adjusting Bracket, Front, LH						

NOTE: All component dimensions given in U.S. inches. 1 inch = 25.4 mm.

IMPORTANT: Use only Original Equipment Manufacturer (O.E.M.) replacement parts. Failure to do so could be hazardous, damage your lawn mower and void your warranty.

LIMITED WARRANTY

What is covered. We warrant that this product is free from defects in material or workmanship under normal use and maintenance. Certain components, such as normal wear parts, engines, and transmissions are excluded from this warranty. We will, at our option, repair or replace any defective product or part covered by the Limited Warranty, free of charge at any authorized Servicing Dealer/Center using OEM replacement parts, subject to the limitations and exclusions described below.

Limited Warranty period. We will warrant the product to the original retail purchaser from the date of retail purchase for the applicable period of time shown on the chart below.

What is NOT covered. This Limited Warranty does not cover:

- (a) Engines and transmissions, except as noted on the chart below; a separate warranty provided with your product might apply.
- (b) Normal wear parts (parts and items that normally wear out with use), including without limitation spark plugs, bulbs, filters, lubricants, starter cords, belts, blades, and blade adapters are not covered, nor is damage due to normal wear, such as abrasion to mower decks, tires punctured by an external source, natural discoloration of materials, or dulling or damage to blades due to contact with abrasives, rocks, rods, or other foreign objects.
- (c) Emissions control equipment and components to the extent regulated by the U.S. Environmental Protection Agency or similar government agencies. These are covered by a separate emission control warranty contained in the operator's manual.
- (d) Depending on the product, there is either NO WARRANTY or a reduced warranty if the product is used for commercial, non-residential, or rental purposes and, in such circumstances, this Limited Warranty is offered instead of and replaces any warranty regime provided by law. Please refer to the chart below.
- (e) Damage related to abuse, misuse, neglect, modifications, alterations, use of unauthorized attachments, improper storage, or lack of lubrication or engine failure due to the use of oils that do not meet engine manufacturer's specifications, pressure cleaning or steam cleaning the product, excessive dirt, abrasives, salt water, moisture, corrosion, rust, or varnish. Failure to perform required maintenance as described in the operator's manual will void this warranty.
- (f) Damage or failures due to improper set up, pre-delivery service or repair service by anyone other than an authorized servicing dealer during the warranty period.
- (g) Damage caused by use of gasoline containing more than 10% (E10) ethanol content (e.g. E15, E25, E30, E50, E85), use of ether or similar starting fluids, or stale fuel.
- (h) Damage to sprayers from using caustic or flammable materials in the sprayer, or lack of or broken strainers.

Your Responsibilities. To preserve your rights under this Limited Warranty, you must exercise reasonable care and use of the product, including following the preventive maintenance, storage, and fuel and oil usages as prescribed in the operator's manual. Any adjustment (e.g. to the throttle cable or belt guides) after the first thirty days of purchase and any preventive maintenance as outlined in the operator's manual are NOT covered. In addition, you must cease using the product immediately upon any failure or damage, and take the product to an authorized servicing dealer prior to any further use.

WARRANTY EXCLUSIONS, DISCLAIMERS, AND LIMITED RIGHTS. WE WILL NOT BE LIABLE FOR ANY INCIDENTAL OR CONSEQUENTIAL DAMAGES. YOUR REMEDY IS LIMITED TO REPAIR OR REPLACEMENT OF THE PRODUCT OR PART, AT OUR DISCRETION. THERE ARE NO EXPRESS WARRANTIES OTHER THAN THOSE SET FORTH HEREIN. ANY WARRANTY IMPLIED BY STATE LAW (WHETHER OF MERCHANTABILITY OR FITNESS FOR A PARTICULAR USE OR OTHERWISE) IS HEREBY DISCLAIMED; WHERE SUCH A DISCLAIMER IS NOT PERMITTED BY LAW, THEN SUCH IMPLIED WARRANTY IS LIMITED FOR THE DURATION OF THE APPLICABLE LIMITED WARRANTY PERIOD LISTED IN THE CHART BELOW. SOME LOCALITIES, INCLUDING THE PROVINCE OF QUEBEC, DO NOT ALLOW EXCLUSIONS OF INCIDENTAL OR CONSEQUENTIAL DAMAGES OR LIMITATIONS ON HOW LONG AN IMPLIED WARRANTY LASTS, SO THE ABOVE EXCLUSIONS AND LIMITATIONS MAY NOT APPLY TO YOU.

THIS LIMITED WARRANTY GIVES YOU SPECIFIC LEGAL RIGHTS, AND YOU MAY ALSO HAVE OTHER RIGHTS BASED ON YOUR LOCALITY.

How to obtain service. To obtain warranty service, you must take your product to an authorized Servicing Dealer/Center. To find your nearest authorized Servicing Dealer/Center, visit our website and use the Dealer Locator feature, or call 1-800-487-5951 from 8:00 AM to 7:00 PM EST. Any costs to transport or ship the product are your responsibility. You must present proof of purchase (including date, product model and serial number) to an authorized Servicing Dealer/Center for warranty service. Proof of purchase rests solely with you. You may register your product using our online product registration site to help ensure that you are notified of important product information. However, registering your product is not a condition of warranty service.

Poulan, Poulan Pro, Weedeater, & McCulloch® Warranty Chart 2015	Consumer (personal, household use only)	Commercial (any commercial, professional, agri- cultural, institutional or income producing use, other than rental use)	Rental (any rental usage)
HANDHELD PRODUCTS			
Cordless products	2 Years	No Warranty	No Warranty
Electric Chainsaws	1 Year	No Warranty	No Warranty
Electric Lawn & Garden	2 Years	No Warranty	No Warranty
Poulan Gas Chainsaws	1 Year	No Warranty	No Warranty
Poulan Pro Gas Chainsaws	2 Years	No Warranty	No Warranty
Gas Lawn & Garden	2 Years	No Warranty	No Warranty
McCulloch	2 Year	No Warranty	No Warranty
WHEELED PRODUCTS			
All Wheeled Lawn and Garden ⁽¹⁾	2 Years	No Warranty	No Warranty
Lead-Acid Batteries (for all wheeled products) ⁽²⁾	180 days	180 days	180 days
Engines			
<i>Rato, LCT, Locin</i>	2 years	90 days	No Warranty
<i>All Others</i>	See Note 1	See Note 1	See Note 1
Transmission / Drive Systems			
<i>Tuff Torq, General Transmission</i>	2 Years	No Warranty	No Warranty
<i>Peerless</i>	3 Years	No Warranty	No Warranty
<i>Hydro-Gear</i>	See note 3	See note 3	See note 3
<i>All Others</i>	See note 3	See note 3	See note 3
Decks			
<i>Zero-Turn Mowers and Riding Tractors with steel reinforced</i>	10 Years	No Warranty	No Warranty
<i>Zero-Turn Mowers and Riding Tractors fabricated deck shell</i>	See Note 1	No Warranty	No Warranty
PARTS AND ACCESSORIES			
Parts and Accessories (if purchased) ⁽⁴⁾			
<i>Collection Systems and Baggers</i>	1 Year	90 days	No Warranty
<i>All other accessories (e.g., bars, chains, carrying cases, trimmer</i>	90 days	30 days	No Warranty
<i>Parts (e.g., belts, blades, starter covers, starter springs, etc.)</i>	30 days	30 days	No Warranty
Reconditioned or Refurbished Products	30 days	No Warranty	No Warranty

- 1 Your engine is warranted separately by the engine manufacturer; please refer to the separate engine warranty provided with your product.
- 2 Battery warranty does not include discharged or uncharged batteries.
- 3 Hydro-Gear warrants transmission for two (2) years consumer warranty, parts and labor.
Snow Throwers and Lawn Tractors:
Hydro-Gear warrants transmission for two (2) years consumer warranty, parts and labor.
For all others, your transmission is warranted separately by the transmission manufacturer; please refer to the separate transmission warranty provided with your product.
- 4 Replacement parts and accessories provided under this Limited Warranty are warranted only for the BALANCE of the warranty period applicable to the part or accessory that was replaced.

Product Registration

Please register your product at corresponding website:
www.poulan.com; www.poulanpro.com; www.weedeater.com; or www.mcculloch.com
Go to "Customer Support" then "Product Registration"

You may call 1-800-487-5951 (US) or 1-800-805-5523 (Canada) to have your product registered.
Please have all product information ready prior to calling Consumer Support.