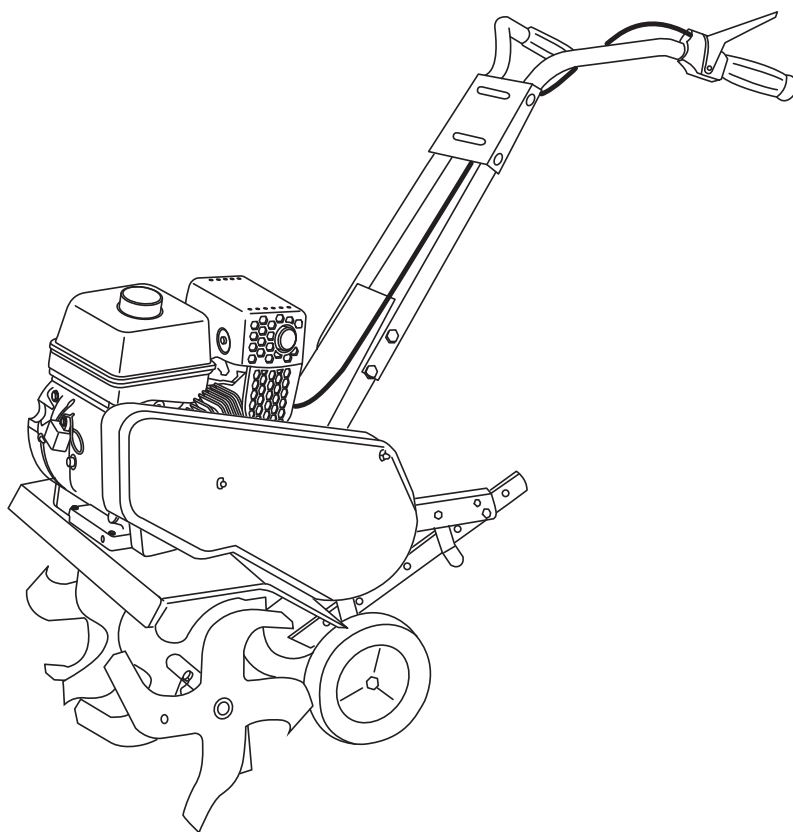


Poulan PRO



REPAIR PARTS MANUAL

MODEL:

HDF900

FRONT TINE TILLER

⚠ WARNING:

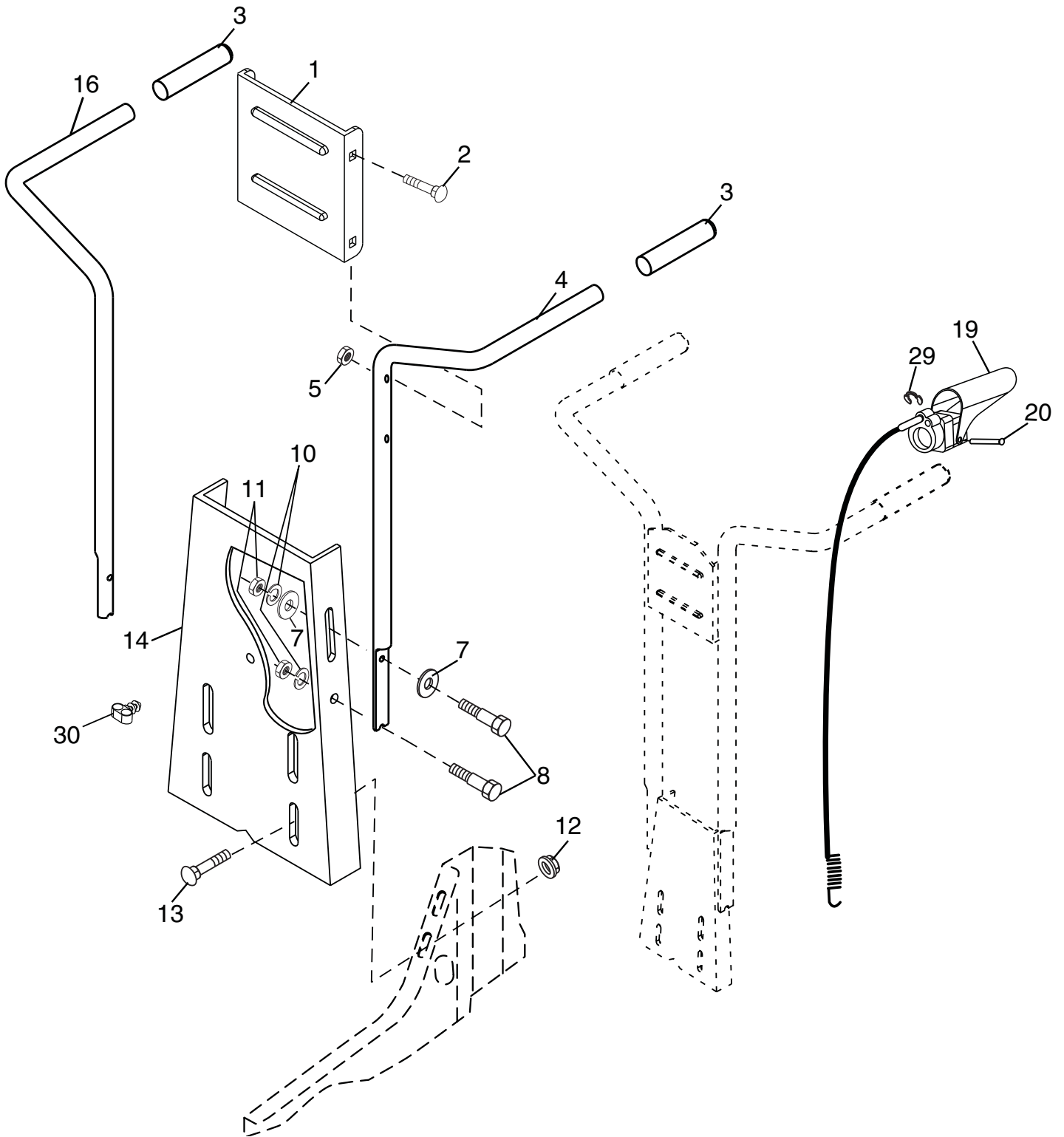
Read this Manual and follow all Warnings and Safety Instructions. Failure to do so can result in serious injury.

ALWAYS WEAR EYE PROTECTION DURING OPERATION

Visit our website: www.poulanpro.com

587 84 93-27 Rev. 1

FRONT TINE TILLER – MODEL NUMBER HDF900 (MFG. ID. NO. 96082003500)
HANDLE ASSEMBLY



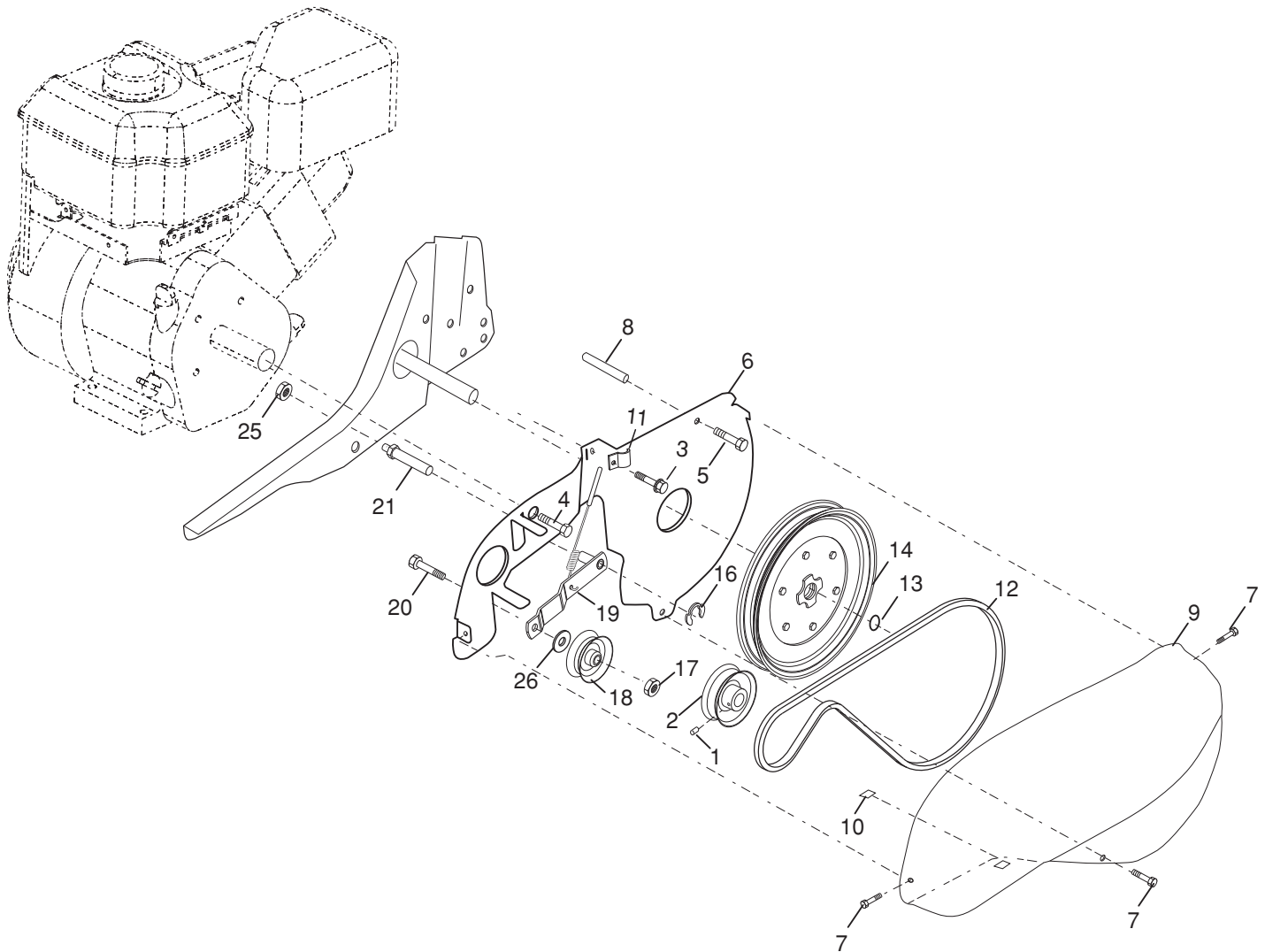
KEY NO.	PART NO.	DESCRIPTION
1	532 44 06-52	Bracket, Handle
2	872 14 05-12	Bolt, Carriage 5/16-18 x 1-1/2
3	532 16 57-87	Grip, Handle
4	532 44 60-13	Handle, LH, Double Bend
5	532 75 11-53	Nut, Crownlock 5/16 -18
7	819 12 14-14	Washer 3/8 x 7/8 x 14 Gauge
8	874 76 05-20	Bolt, Hex Head 5/16-18 x 1-1/4
10	810 04 05-00	Washer, Lock 5/16
11	873 22 05-00	Nut, Hex, Flanged 5/16-18
12	898 00 01-29	Nut, Hex, Flanged

KEY NO.	PART NO.	DESCRIPTION
13	532 18 08-47	Bolt, Carriage 5/16-18 x 3/4
14	532 44 06-51	Assembly, Panel
16	532 44 60-14	Handle, RH, Double Bend
19	532 18 85-62	Lever, Control, Tine
20	532 18 85-55	Pin, Pivot
29	812 00 00-59	Retainer, Ring
30	532 18 15-80	Clip, Routing, Dual

2 NOTE: All component dimensions given in U.S. inches.
 1 inch = 25.4 mm

FRONT TINE TILLER – MODEL NUMBER HDF900 (MFG. ID. NO. 96082003500)

BELT GUARD AND PULLEY ASSEMBLY

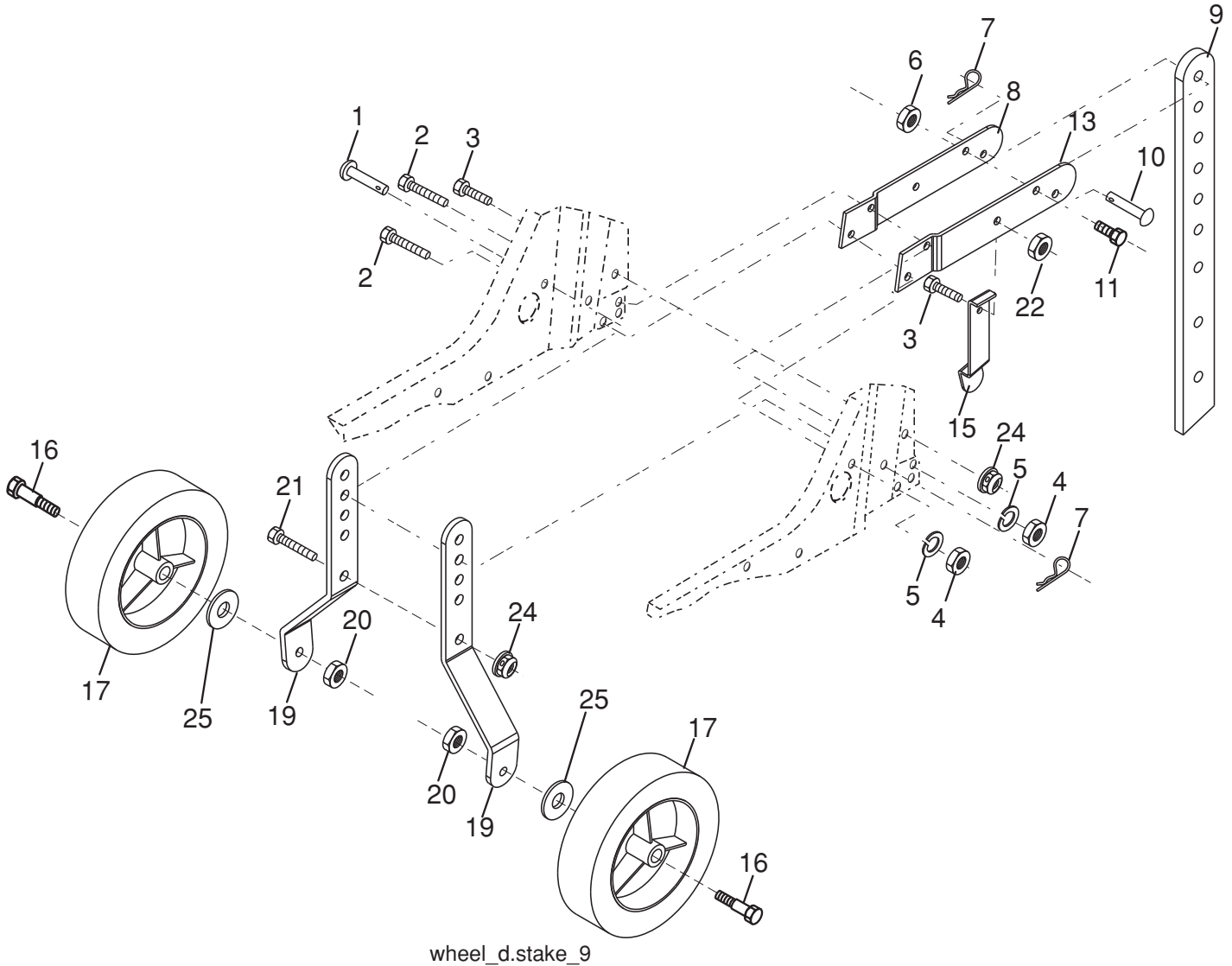


KEY NO.	PART NO.	DESCRIPTION
1	823 23 05-06	Screw, Set, 5/16-18 x 3/8 Patch
2	532 13 08-12	Sheave, Engine
3	532 15 00-50	Screw, Tapping, Hex Head
4	874 77 05-08	Bolt, Hex Head 5/16-24UNF x 1/2
5	817 49 04-40	Bolt, Threaded, Rolled 1/4-20 x 2-1/2
6	532 44 62-50	Shield, Inner Belt Guard
7	532 17 04-88	Screw, Hex Washer Head #8-18 x 1/2
8	532 13 91-55	Spacer Split
9	532 43 29-28	Guard, Belt
10	532 10 92-27	Pad, Idler
11	532 44 60-45	Clip, Cable

KEY NO.	PART NO.	DESCRIPTION
12	532 00 91-80	V-Belt
13	812 00 00-28	Ring, Retainer
14	532 15 12-23	Sheave, Transmisison
16	812 00 00-36	Ring, Klip
17	532 75 11-53	Nut, Hex, Jam 3/8-16
18	532 18 05-22	Pulley, Idler
19	580 53 00-02	Arm, Idler
20	874 78 05-24	Bolt, Hex Head 3/8-16 x 1-1/4
21	532 10 69-68	Shaft, Idler Arm
25	873 35 05-00	Nut, Hex, Jam 5/16-18
26	532 15 54-15	Washer

NOTE: All component dimensions given in U.S. inches.
1 inch = 25.4 mm

FRONT TINE TILLER – MODEL NUMBER HDF900 (MFG. ID. NO. 96082003500)
WHEEL AND DEPTH STAKE ASSEMBLY

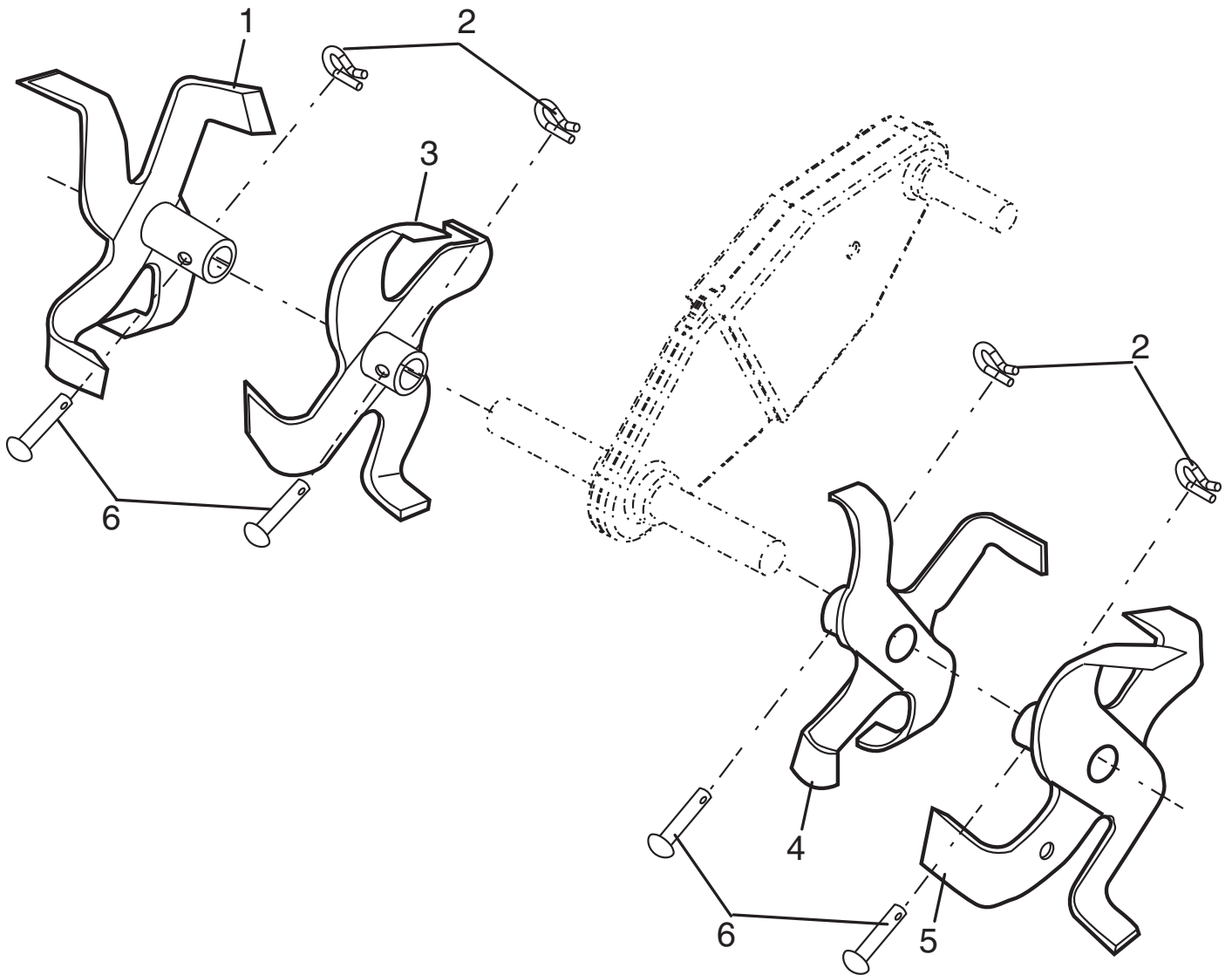


KEY NO.	PART NO.	DESCRIPTION
1	532 44 36-76	Pin, Clevis
2	874 76 05-20	Bolt, Hex Head 5/16-18 x 1-1/4
3	874 78 05-12	Bolt, Hex Head 5/16-18 x 3/4
4	873 22 05-00	Nut, Hex 5/16-18
5	810 04 05-00	Washer, Lock 5/16
6	873 80 06-00	Locknut, Hex, with Washer Insert 3/8-16
7	532 12 49-61	Clip, Hairpin
8	532 44 60-61	Support, Depth Stake, R.H.
9	532 44 60-66	Stake, Depth
10	532 44 60-59	Pin, Clevis
11	874 78 06-28	Bolt, Hex Head 3/8-16 x 1-3/4
13	532 44 60-60	Support, Depth Stake, L.H.

KEY NO.	PART NO.	DESCRIPTION
15	532 44 60-63	Spring, Stake
16	532 12 11-17	Bolt, Shoulder
17	588 31 40-01	Wheel & Tire Assembly
19	532 44 60-11	Bracket, Wheel
20	873 68 06-00	Nut, Crownlock 3/8-16
21	874 76 05-16	Bolt, Hex Head 5/16-18 x 1
22	873 80 05-00	Locknut, Hex, with Washer Insert 5/16-18
24	873 97 05-00	Locknut, Hex, Flanged 5/16-18UNC
25	819 17 14-16	Washer 17/32 x 7/8 x 16 Gauge

NOTE: All component dimensions given in U.S. inches.
 1 inch = 25.4 mm

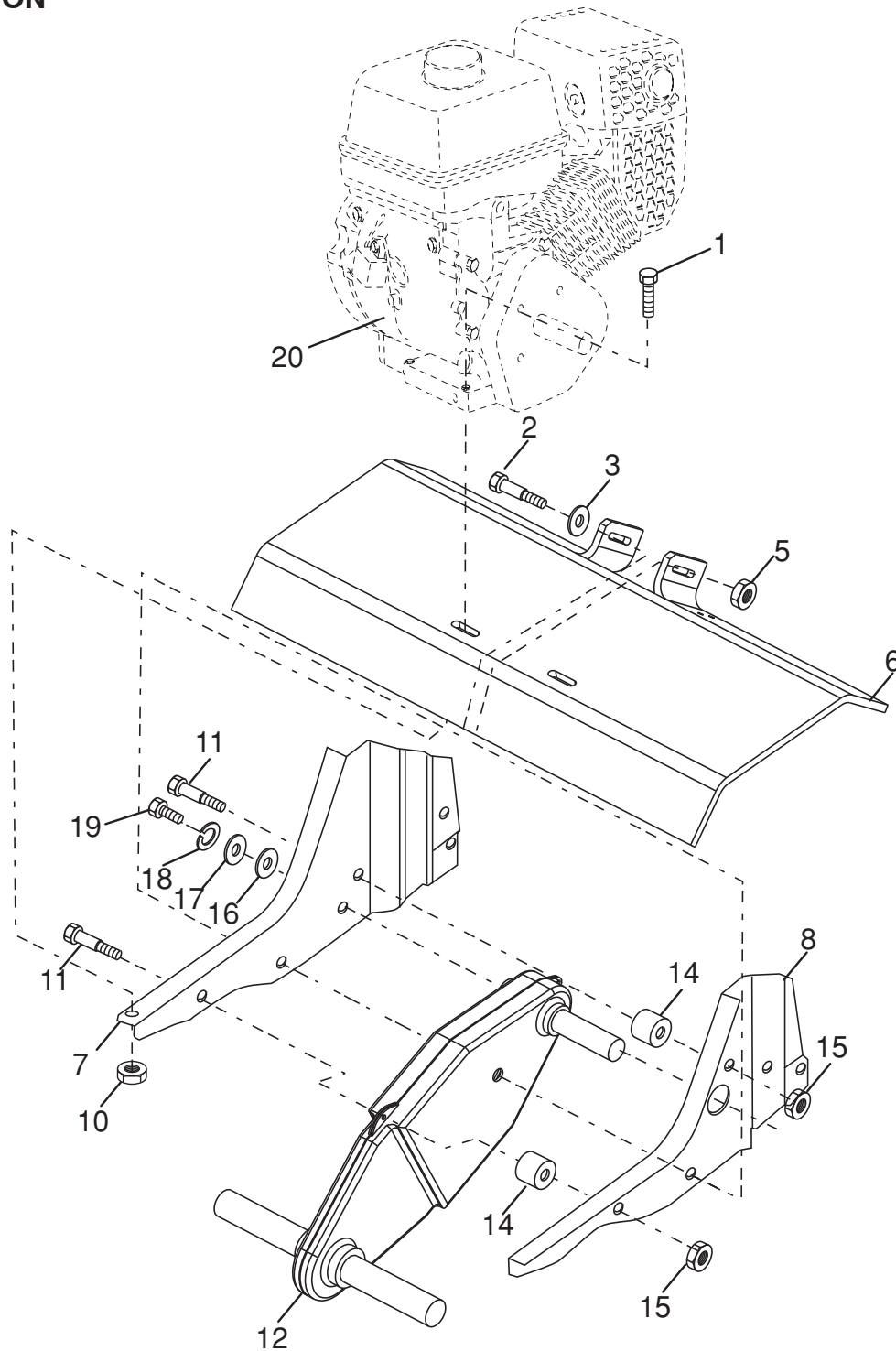
FRONT TINE TILLER – MODEL NUMBER HDF900 (MFG. ID. NO. 96082003500)
TINE ASSEMBLY



KEY NO.	PART NO.	DESCRIPTION
1	583 85 46-02	Tine, Outer, R.H.
2	532 12 46-60	Retainer, Spring
3	583 85 44-02	Tine, Inner, R.H.
4	583 85 42-02	Tine, Inner, L.H.
5	583 85 45-02	Tine, Outer, L.H.
6	532 44 60-59	Rivet, Pan Head, Drilled 1/4 Diameter

NOTE: All component dimensions are given in U.S. inches.
 1 inch = 25.4 mm

FRONT TINE TILLER – MODEL NUMBER HDF900 (MFG. ID. NO. 96082003500) TRANSMISSION



KEY PART NO. NO.

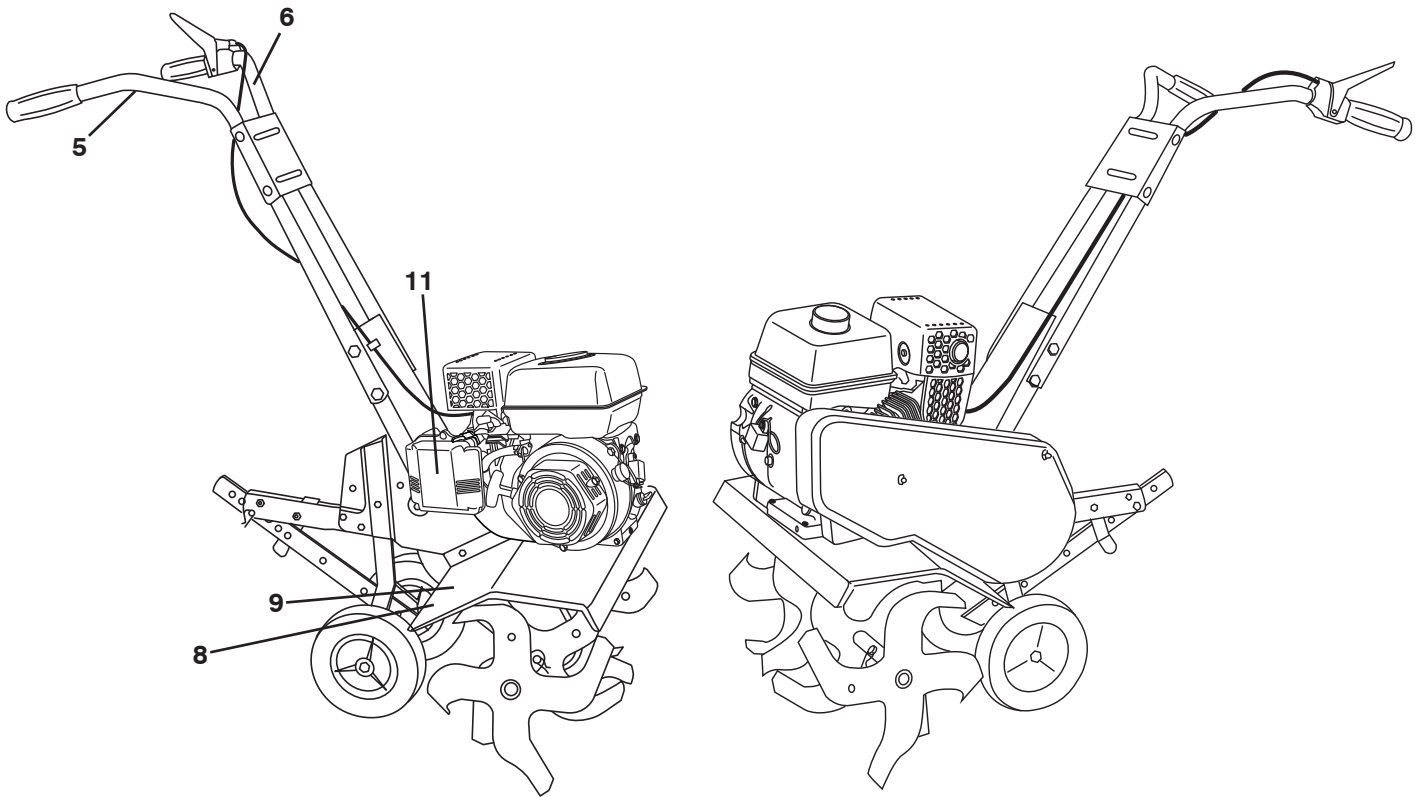
KEY PART NO. NO.	DESCRIPTION
1 874 76 05-24	Bolt, Hex Head, Grade 2 5/16-18 x 1-1/2
2 874 78 06-52	Bolt, Hex Head 3/8-16 x 3-1/4
3 819 13 13-11	Washer 13/32 x 13/16 x 11 Gauge
5 873 90 06-00	Locknut, Hex 3/8-16
6 532 40 51-11	Shield, Tine
7 532 44 60-06	Bracket, Engine, R.H.
8 532 44 60-03	Bracket, Engine, L.H.
10 873 97 05-00	Nut, Hex 5/16-18
11 532 18 79-12	Bolt, Hex Head 5/16-18 x 2-1/2
12 532 15 12-22	Transmission

KEY PART NO. NO.

KEY PART NO. NO.	DESCRIPTION
14 532 44 65-48	Spacer, Split
15 532 75 11-53	Nut, Hex 5/16-18
16 819 09 14-12	Washer 9/32 x 7/8 x 12 Gauge
17 819 09 20-16	Washer 9/32 x 1-1/4 x 16 Gauge
18 810 04 04-00	Washer, Lock 1/4
19 874 78 05-12	Bolt, Hex Head, Grade 5 1/4-28 x 3/4
20 532 44 59-64	Engine, LCT (See Breakdown)

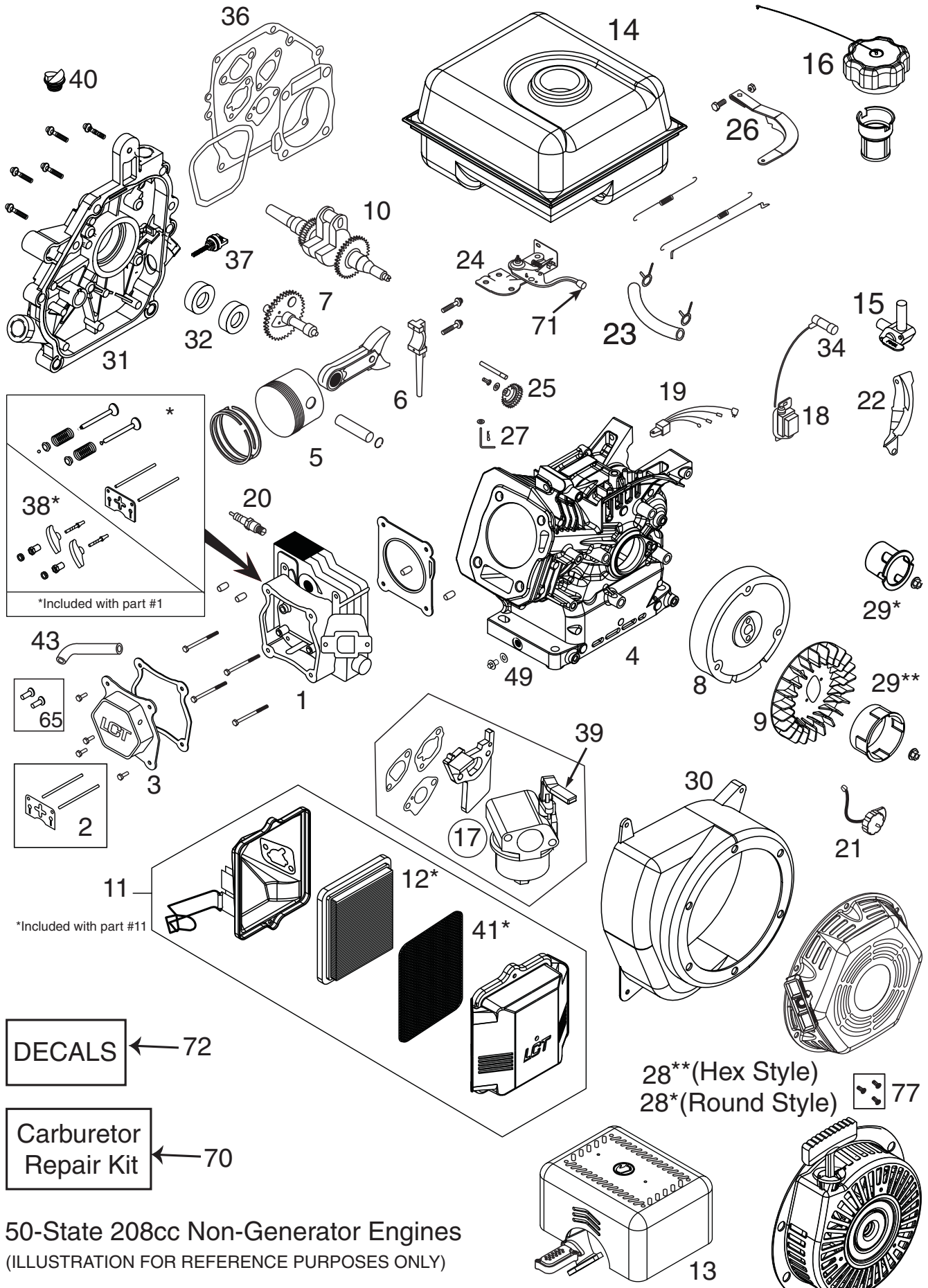
NOTE: All component dimensions given in U.S. inches.
1 inch = 25.4 mm

FRONT TINE TILLER – MODEL NUMBER HDF900 (MFG. ID. NO. 96082003500)
DECALS



KEY NO.	PART NO.	DESCRIPTION
5	532 11 06-14	Decal, Hand Placement
6	532 11 06-13	Decal, Control
8	532 12 00-76	Decal, Warning, Rotating Tines
9	532 42 29-72	Decal, Tine Shield
11	532 42 38-30	Decal, Ethanol
--	532 44 62-69	Bag of Parts
--	115 73 27-32	Manual, Operator's (English/ French)
--	587 84 93-27	Manual, Repair Parts



FRONT TINE TILLER – MODEL NUMBER HDF900 (MFG. ID. NO. 96082003500)
LCT ENGINE **COMPLETE ENGINE: 532 44 59-64**



DECALS ← 72

Carburetor
Repair Kit ← 70

50-State 208cc Non-Generator Engines
(ILLUSTRATION FOR REFERENCE PURPOSES ONLY)

28** (Hex Style)  77
 28* (Round Style) 

FRONT TINE TILLER – MODEL NUMBER HDF900 (MFG. ID. NO. 96082003500)
LCT ENGINE **COMPLETE ENGINE: 532 44 59-64**

KEY NO.	PART NO.	DESCRIPTION
1	532 42 05-78	Cylinder Head Assembly, 208cc (Includes Gasket)
2	532 42 05-79	Kit, Push Rod and Plate, 208cc (Includes Valve Cover Gasket)
3	532 42 05-80	Valve Cover, 208cc (Includes Gasket)
4	580 35 24-01	Cylinder, 208cc (Gen II, no Low Oil Sensor)
5	532 42 05-82	Piston and Rod Assembly, 208cc
6	532 42 05-83	Connecting Rod Assembly, 208cc
7	532 42 05-84	Camshaft, MCR, 208cc
8	532 42 92-36	Flywheel, Manual Start, 208cc
9	532 42 05-86	Cooling Fan, Flywheel, Plastic, 208cc
10	580 35 25-01	Crankshaft, 208cc, Keyed, #14, Summer
11	532 42 05-88	Air Filter Assembly, Complete (Double-wing 'P')
12	532 43 27-15	Air Filter, Pleated Paper with Pre-Filter (136/208cc)
13	532 43 27-16	Muffler (50-State Silver Low-Temp with Catalyst (PTO side))
14	580 35 27-01	Fuel Tank, 2.7 Liter (Black with Stant Cap)
15	532 42 95-97	On/Off Valve, Fuel Tank, 1/4" Outlet
16	580 35 28-01	Cap, Fuel Tank, Stant, with Chain (non-Vented)
17	532 42 05-94	Carburetor, L03 (208cc 'P' AC with Gaskets)
18	580 35 29-01	Ignition Coil, Integrated CDI (Stop-In-Control)
20	532 42 49-39	Spark Plug
21	532 42 05-98	Stop Switch, Engine, Rotary
22	580 35 31-01	Shield, Flywheel (Gen II with CDI Module Mounting Bracket)
23	532 43 21-44	Kit, Fuel Hose (14" ID x 318mm - SS snow)
24	580 35 32-01	Speed Control, Manual (Stop-In-Control)
25	532 42 96-46	Governor Gear Assembly (136/208cc)
26	532 42 06-01	Kit, Governor Link and Arm (208cc Summer, 2000 Idle RPM)
27	532 42 06-02	Governor Arm Paddle
28*	532 43 66-73	Starter Assembly, Recoil, Round, Black
28**	532 42 06-03	Starter Assembly, Recoil, Hex, Black
29	532 43 66-74	Cup, Starter (use with Round Starter)
30	580 35 33-01	Blower Housing, Manual Start, without Switch Hole, Black (208cc)
31	532 44 37-73	Crankcase Cover Assembly, with Low Oil Fill Plug
32	532 42 95-99	Kit, Oil Seal (2 Pieces, for 3/4" Crankshaft)
34	532 42 92-46	Boot, Spark Plug
36	532 42 96-01	Kit, Gasket, 208cc Engine
37	532 42 09-61	Dipstick, Small, Plastic, Black
38	532 42 96-91	Kit, Rocker Arm, 208cc Engine (Includes Gasket)
39	532 44 37-74	Choke Lever, Plastic, 208cc
40	532 42 95-98	Plug, Plastic (non-removable)
41	532 44 37-75	Pre-Filter, Poly (use with 'P' Air Cleaner) (136/208cc)
43	580 35 34-01	Tube, Breather
49	532 43 54-95	Kit, Oil Drain Plug, with Washer (136/208/254cc)
65	581 37 28-01	Kit, Tappet (208/254cc) (Set of 2)
70	580 35 36-01	Kit, Carburetor Repair (136/208/254cc)
71	580 35 35-01	Knob, Speed Control, Red
72	- - -	Decal Kit, MAXX Series, LQA
77	532 43 26-88	Kit, Recoil Bolt (3 Bolts per Kit)
Not Shown:		
81	585 29 72-01	Woodruff Key, Flywheel (5-pack) (5 x 6 x 18mm) (208/414cc)
82	585 02 05-03	Kit, Spacer, Carburetor (208/254cc)
85	586 32 56-01	Strainer, Fuel Tank
86	586 32 73-01	Kit, Bolt, Cylinder Head (4) (136/179/208/254cc)
87	586 32 69-01	Kit, Bolt, CC Cover (6) (179/208/254cc)
88	586 32 68-01	Kit, Mounting Stud, Muffler (2)
91	587 52 57-01	Kit, Gasket, Crankshaft (179/208cc)
--	586 32 60-01	Jet, Carburetor, High Altitude (>6,000 feet, 208cc L03 Carburetor)

SERVICE NOTES

SERVICE NOTES

Poulan PRO

PARTS AND SERVICE

This product has been expertly engineered and carefully manufactured to rigid quality standards. As with all mechanical products, some adjustments or part replacement may be necessary during the life of your unit.

For Parts and service, contact our authorized distributor: call 1-800-849-1297

- For replacement parts, have available the following information:
 - a. Model Number/Manufacturer's I.D. Number
 - b. Description of part.

For Technical Assistance: call 1-800-829-5886

For a Parts Manual, go to our website: www.poulanpro.com/support.asp

NOTE: HOP provides parts and service through its authorized distributors and dealers; therefore, all requests for parts and service should be directed to your local dealer(s). The philosophy of HOP is to continually improve all of its products. If the operating characteristics or the appearance of your product differs from those described in this Manual, please contact your local dealer for updated information and assistance.