

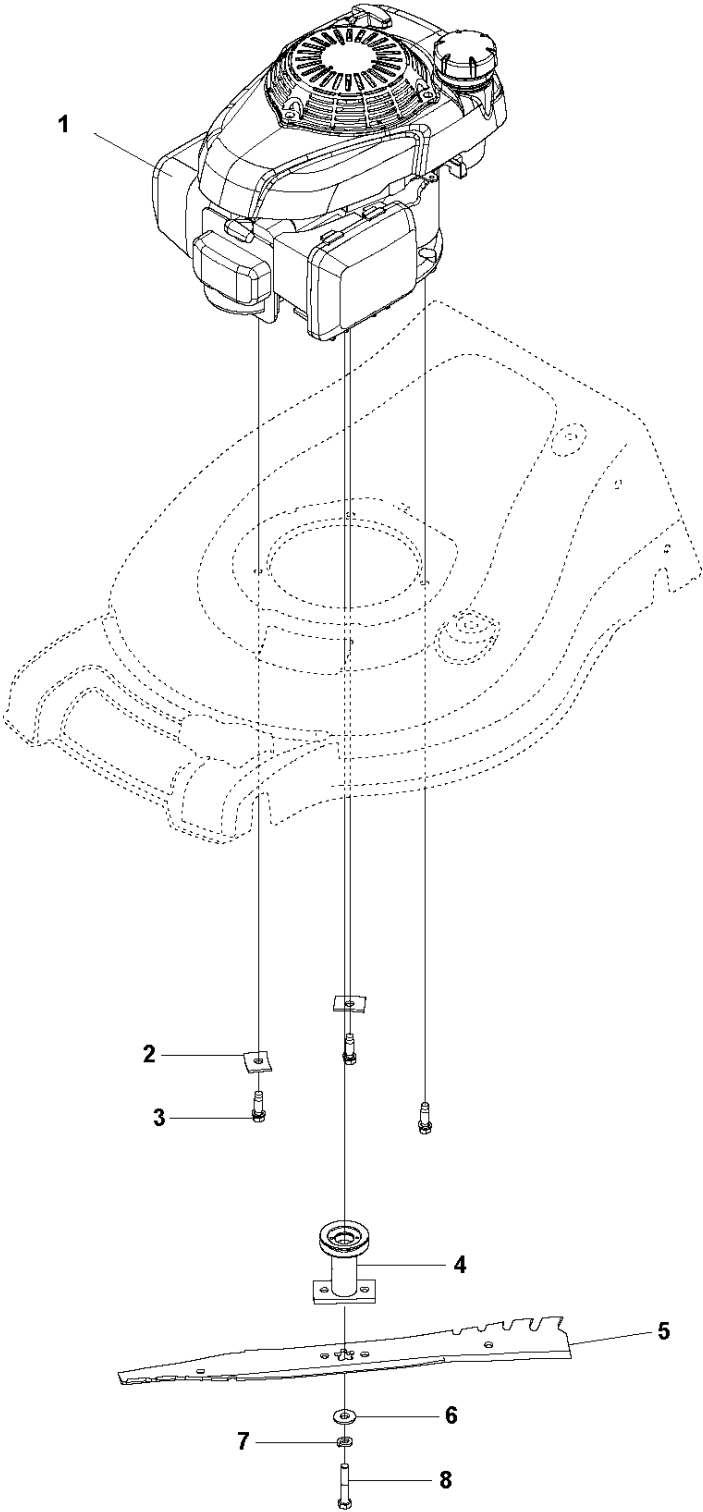


SPARE PARTS LIST

LAWN MOWERS: CONSUMER
WALK-BEHINDS

P160RWD, 96764560100, 2016-09

C P160RWD
ENGINE

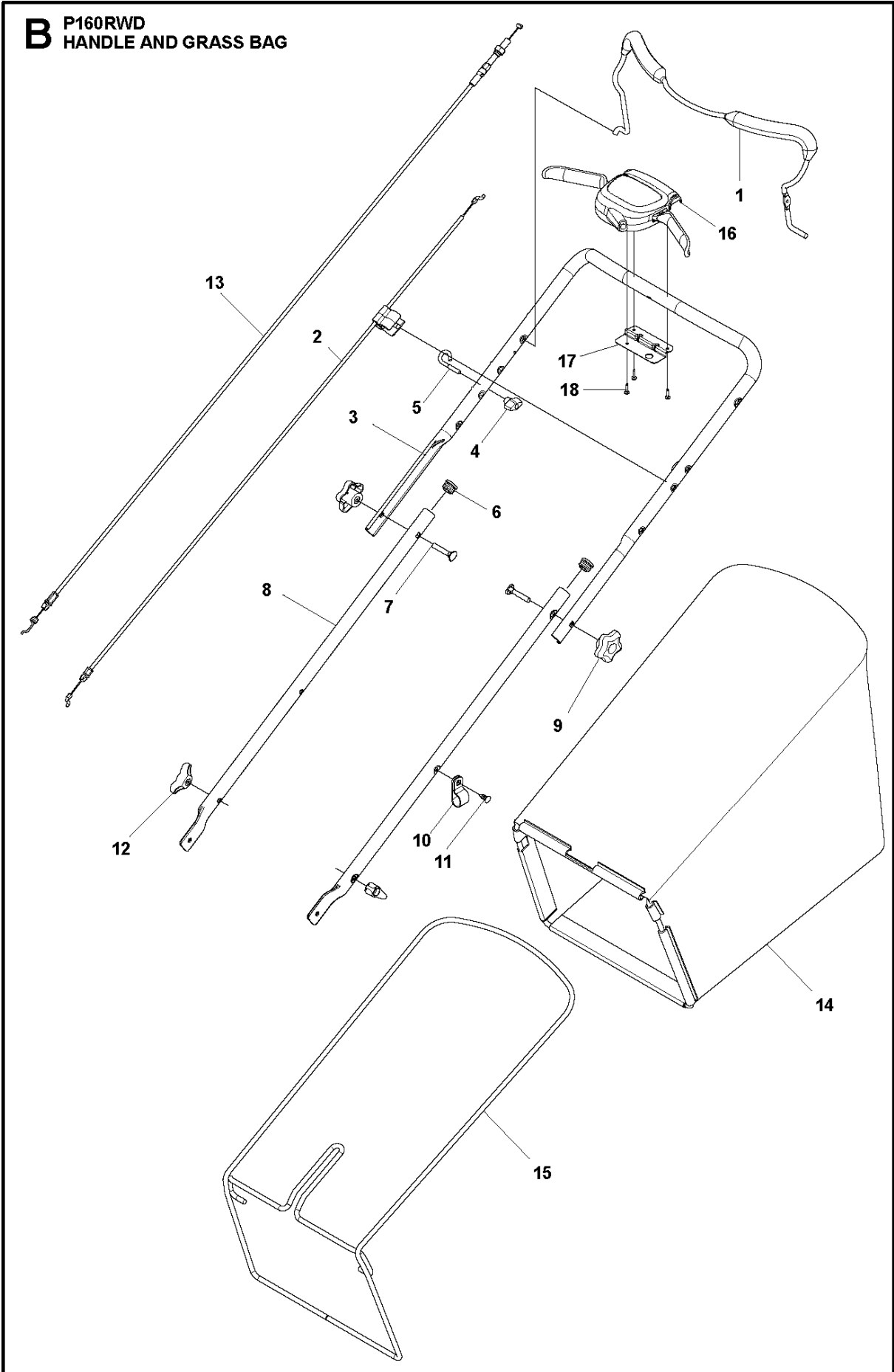


ENGINE

P160RWD, 96764560100, 2016-09

Ref	Part No	Description	Remark	QTY KIT
1	000 00 00-00	W/O DESCRIPTION	"Honda GCV160-LAOS3B. For Engine service and replacement parts, call Honda at 1-800-426-7701"	1
2	532 12 50-78	WASHER	Engine	2
3	532 15 04-06	BOLT	"3/8 16""	3
4	582 89 01-01	ADAPTER	25 mm	1
5	586 85 96-02	BLADE	High Lift	1
6	532 85 10-74	WASHER	Blade	1
7	532 85 02-63	WASHER	"3/8, Helical Spring"	1
8	582 38 84-01	BOLT	Hex Head Machine Screw	1
--	115 86 13-27	OPERATOR'S MANUAL	"Manual, Operators English"	1
--	115 86 13-31	OPERATOR'S MANUAL	"Manual, Operators French"	1
--	115 86 13-46	OPERATOR'S MANUAL	"Manual, Operators Spanish"	1
--	582 78 55-40	MANUAL	"Manual, IPL"	1

B P160RWD
HANDLE AND GRASS BAG

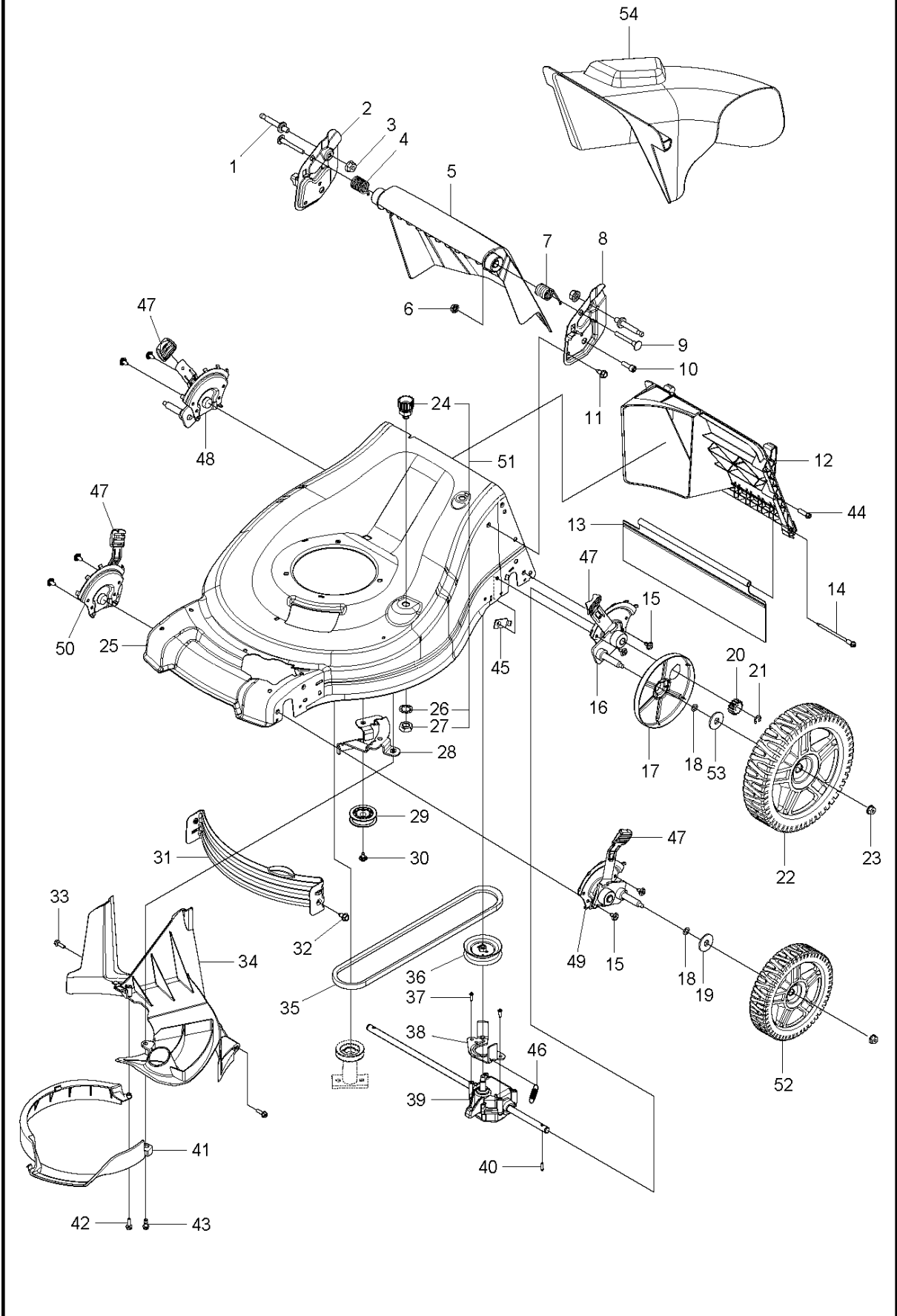


HANDLE

P160RWD, 96764560100, 2016-09

Ref	Part No	Description	Remark	QTY KIT
1	587 68 93-01	BAIL ARM ASSY	Over-molded	1
2	501427499	TBD	Operator Presence Bail	1
3	580 63 87-05	HANDLE	Curved	1
4	581 91 26-01	KNOB	Rope Guide	1
5	581 90 21-01	GUIDE	Rope	1
6	532 43 75-16	PLUG	"Plastic, 7/8, 14-20 Gauge"	2
7	588 04 04-01	BOLT	"Concave Head, Retaining"	2
8	501 06 40-03	HANDLEBAR	"Lower 2 piece, 3 Position"	1
9	532 18 23-98	KNOB	"Handle, Star"	2
10	532 19 79-91	CLIP	P/Cable	1
11	532 42 81-24	FASTENER	"Push, 0.250 X 0.783"	1
12	532 19 19-38	KNOB	"Handle, Standard"	2
13	587 42 11-02	CABLE	Drive	1
14	587100416	TBD		1
15	586 92 91-02	BAG FRAME		1
16	587 42 00-07	CONTROL	Dual trigger	1
17	587 24 93-02	BACKPLATE	Drive Control	1
18	532 18 16-98	SCREW		3

A P160RWD
DECK



MOWER DECK / CUTTING DECK

P160RWD, 96764560100, 2016-09

Ref	Part No	Description	Remark	QTY	KIT
1	587 01 52-01	BOLT	"Handle, Pivot, 5/16-18"	2	
2	589 19 78-03	HANDLEBAR BRACKET	"Adjustable Handle, Right"	1	
3	587 59 99-01	NUT	"Serrated Flange, 5/16-18"	2	
4	587 25 06-01	SPRING	"Right, Door"	1	
5	586 13 80-02	DOOR	Rear	1	
6	532 41 32-84	NUT	"Flanged, 3/8-16"	2	
7	587 24 98-01	SPRING	"Left, Door"	1	
8	589197603	TBD	"Adjustable Handle, Left"	1	
9	587 19 89-01	BOLT	Pivot. 3/8-16	2	
10	587 28 11-01	SCREW	"Hi-Lo, 5/16-14 X T-45"	2	
11	817 00 05-10	BOLT	"Hex, 5/16"	2	
12	586 13 75-01	INSERT	Rear	1	
13	586 69 88-01	GUARD	Rear	1	
14	587 43 82-01	SCREW	"Hi-Lo, 5/16-14 X 4.10"	1	
15	581 12 76-01	SCREW	1/4-20 Tri-lobe	8	
16	582 26 18-02	HEIGHT ADJUSTER	"4-Point, Left Rear"	1	
17	589 52 90-01	DUST COVER	Wheel	2	
18	532 19 74-80	O-RING		4	
19	532 06 77-25	WASHER	1/2 X 1-1/2 X .134	2	
20	587 23 24-01	PINION	"16 Tooth, RWD"	2	
21	812 00 00-58	E-CLIP	"7/16, RE-Style"	2	
22	582 69 28-02	WHEEL	11 X 2	2	
23	532 40 91-48	NUT	"Hex Flange, 3/8-16"	4	
24	532 41 97-35	HOSE FITTING	Blue	1	51
25	588 61 02-18	HOUSING ASSY	"21"" AWD"	1	
26	532 41 55-85	LOCKWASHER	Star	1	51
27	532 41 55-86	LOCKING NUT	Hex	1	51
28	588 06 22-02	BRACKET	"Idler, AWD"	1	
29	587 96 92-01	PULLEY	"Pulley, Idler"	1	
30	581 12 76-01	SCREW	1/4-20 Tri-lobe	1	
31	586 69 86-01	BAFFLE	Front	1	
32	817 00 05-10	BOLT	"Hex, 5/16"	2	
33	587 59 98-01	SCREW	"Hi-Lo, 13-16 X.750"	2	
34	586 56 04-01	BELT COVER	Belt/Rear Baffle	1	
35	580 36 46-08	BELT	"Drive, AWD"	1	
36	586 90 30-01	SCREW	AWD	1	
37	532 16 34-09	SCREW	"12 X 5/8, Hi/Lo Thread"	2	
38	589 31 83-02	BRACKET	Rear Transmission	1	
39	586 13 76-01	TRANSMISSION	"AWD, Rear"	1	
40	532 40 48-45	PAWL, DRIVE	Drive	2	
41	587 08 10-01	STRIPPER	Stripper	1	
42	587 59 98-01	SCREW	"Hi-Lo, 13-16 X.750"	1	
43	581 72 61-01	BOLT	"Shoulder, 1/4-20 Tri-lobe"	1	
44	587 28 11-01	SCREW	"Hi-Lo, 5/16"	1	
45	587 14 73-01	STRAP	Height adjuster bracket	2	
46	581 35 13-01	SPRING	Rear Transmission	1	
47	532 70 10-37	KNOB	Ergonomic	4	
48	582 26 18-01	HEIGHT ADJUSTER	Right Rear	1	
49	586 92 01-13	HEIGHT ADJUSTER	Left Front	1	
50	586 92 01-15	HEIGHT ADJUSTER	Right Front	1	
51	532 42 11-14	WATER CONNECTOR	"Kit, Wash-out Port"	1	"24, 26, 27"
52	581 00 94-09	WHEEL ASSY	8 X 1.75	2	
53	532 08 83-48	WASHER	Flat	2	
54	582 26 19-01	CHUTE		1	