

ILLUSTRATED PARTS LIST

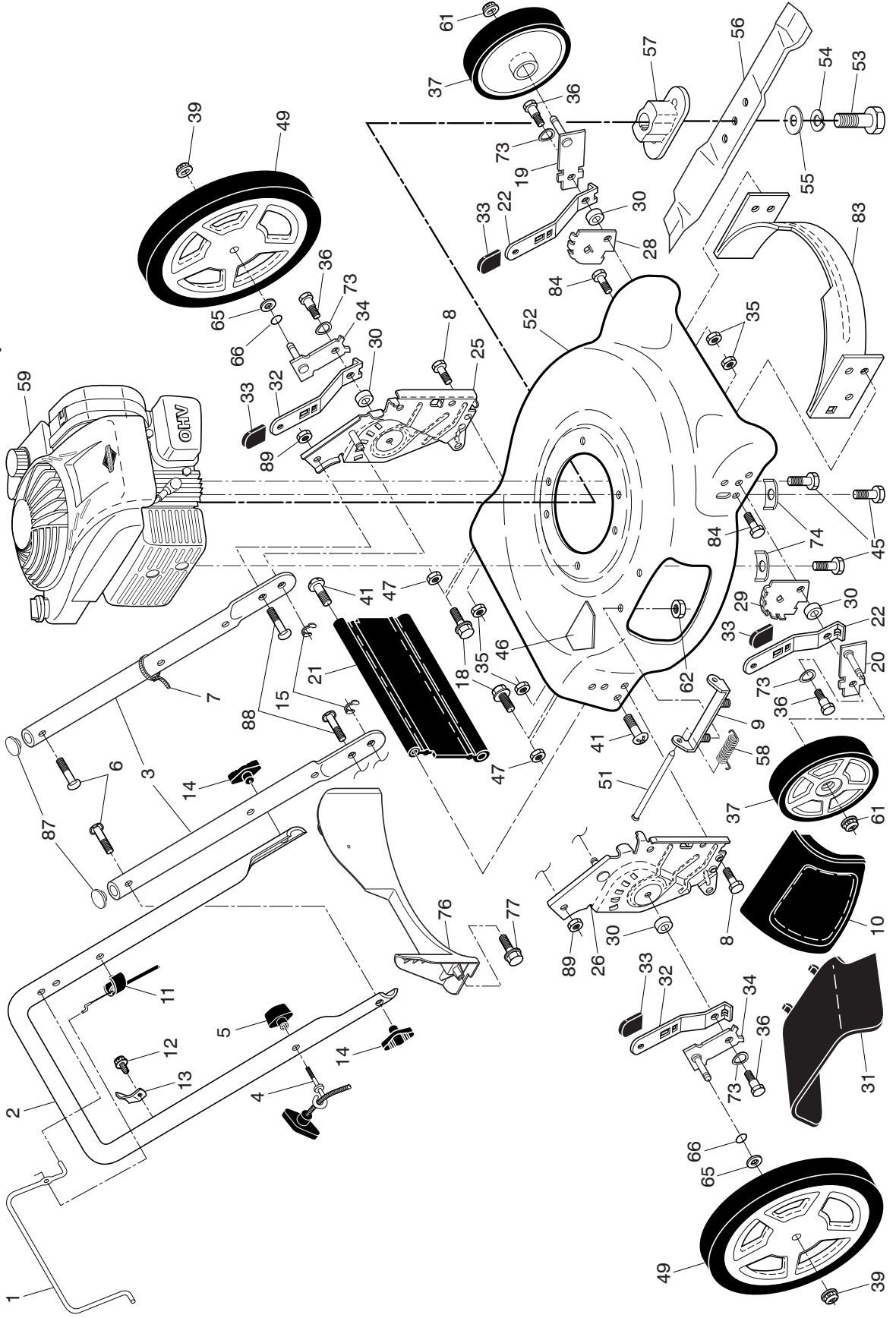
POULAN[®]PRO

ROTARY LAWN MOWER

MODEL NUMBER: PR500N21SH

MFG. ID. NUMBER: 96112013403

POULAN PRO LAWN MOWER -- MODEL NUMBER PR500N21SH (MFG. ID. NO. 96112013403)



POULAN PRO LAWN MOWER - - MODEL NUMBER PR500N21SH (MFG. ID. NO. 96112013403)

KEY NO.	PART NO.	DESCRIPTION	KEY NO.	PART NO.	DESCRIPTION	KEY NO.	PART NO.	DESCRIPTION
1	532 44 73-65	Control Bar	29	532 41 44-40	Wheel Adjusting Bracket, Front, RH	57	581 54 79-01	Blade Adapter
2	532 44 82-63	Upper Handle	30	532 40 16-29	Spacer	58	532 15 21-24	Hinge Spring
3	580 63 86-02	Bar, Lower Handle	31	532 16 57-60	Discharge Deflector	59	- - -	Engine, Briggs & Stratton, Model Number 9P602-0111-F1 (For engine service and replacement parts, call Briggs & Stratton at 1-800-233-3723)
4	581 90 21-01	Rope Guide	32	532 44 15-59	Selector Spring, Rear			
5	581 91 26-01	T-Knob	33	532 08 78-77	Selector Knob			
6	532 19 15-74	Handle Bolt	34	588 91 26-02	Axle Arm Assembly, Rear			
7	532 06 64-26	Wire Tie	35	532 42 65-89	Locknut, Hex 5/16-18			
8	874 78 05-12	Bolt, Hex Head 5/16-18 x 3/4	36	532 40 16-38	Shoulder Bolt 5/16-18	61	532 40 91-48	Flanged Locknut
9	532 15 41-32	Hinge Bracket	37	501 13 23-03	Wheel & Tire Assembly, Front 7 x 1-3/4	62	873 80 04-00	Nut, Hex
10	532 16 57-54	Mulcher Door				65	532 08 83-48	Washer, Flat
11	532 44 09-34	Engine Zone Control Cable	39	532 40 91-49	Nut, Hex	66	532 19 74-80	O-Ring
12	532 17 88-48	Screw, Hex Washer Head #10-16 x 5/8	41	532 19 41-86	Screw, Hinge	73	532 40 16-30	Washer, Curved, Cylindrical
13	532 43 00-34	Up-Stop Bracket	45	532 15 04-06	Hex Head Thread Rolling Screw 3/8-16 x 1	74	532 12 50-78	Washer, Special, Engine Baffle, Rear
14	532 19 19-38	Handle Knob	46	532 18 21-66	Danger Decal	76	589 41 68-04	Screw, Rear Baffle
15	812 00 00-32	Klip Ring	47	532 75 11-53	Nut, Hex	77	817 41 13-12	Screw, Rear Baffle
18	817 60 04-06	Screw	49	588 15 48-03	Wheel & Tire Assembly, Rear 11 x 1-3/4	83	532 42 85-01	Baffle, Front
19	532 40 66-89	Axle Arm Assembly, Front, LH	51	532 14 72-86	Hinge Rod	84	817 00 05-10	Screw, Hex Head 5/8-16
20	532 40 66-90	Axle Arm Assembly, Front, RH	52	581 70 83-26	Kit, Housing (Includes #46)	87	532 43 75-16	Plug, Handle Bar
21	590 82 61-01	Kit, Rear Skirt	53	532 85 10-84	Bolt, Hex Head, Grade 8 3/8-24 x 1-3/8	88	586 21 25-01	Bolt, Carriage
22	532 40 64-28	Selector Spring, Front	54	532 85 02-63	Helical Lockwasher	89	873 97 05-00	Locknut, Hex, Flanged
25	588 91 24-05	Handle Bracket, LH	55	532 85 10-74	Hardened Washer	- -	581 27 63-01	Bag of Parts (Includes Key Numbers 88 and 89)
26	588 91 24-02	Handle Bracket, RH	56	532 40 67-12	21" Blade	- -	532 18 21-91	Warning Decal (not shown)
28	532 41 44-41	Wheel Adjusting Bracket, Front, LH				- -	115 58 77-27	Operator's Manual, English
						- -	115 58 77-31	Operator's Manual, French
						- -	115 58 77-46	Operator's Manual, Spanish

NOTE: All component dimensions given in U.S. inches. 1 inch = 25.4 mm.

IMPORTANT: Use only Original Equipment Manufacturer (O.E.M.) replacement parts. Failure to do so could be hazardous, damage your lawn mower and void your warranty.