

SB, Starter Rope Improvement, PoulanPro Chainsaws, PR4016, PR4218, 2018-02

<input type="checkbox"/> Action Required:	<input type="checkbox"/> Sold	<input type="checkbox"/> Not Sold
<input checked="" type="checkbox"/> Only If Encountered		
<input type="checkbox"/> Information Only		

Affected models

Model	PNC
PR4016	967084601
PR4218	967063801
PR4218	967084801
PR4218	967084802

Affected serial number(s)

17117NXXXXX to 18036NXXXXX

Affected market(s)

North America

Description

The starter rope may detach from starter pulley, preventing engine start. The starter pulley has been updated.

Action

Product sold to end users:	Perform service only if problem is encountered by end user(s).
Residual inventory not yet sold:	None; no action required.
Service description:	Replace the starter pulley.

Parts information

New part no.	Part description	Old part no.
594090401, quantity 1	Pulley service kit	584400101 / 584400102

Information for Warranty reporting

Normal warranty rules apply; service must be performed through our warranty process using only the codes and text listed below:

Component code:	223 Starter cord
Defect code:	92 Part exchanged on request by Husqvarna
Warranty code (inventory):	None; no action required
Warranty code (end users):	1 warranty
Warranty report text:	Service Bulletin # B170048B-14
Time units (6 minutes):	3 units (18 minutes)

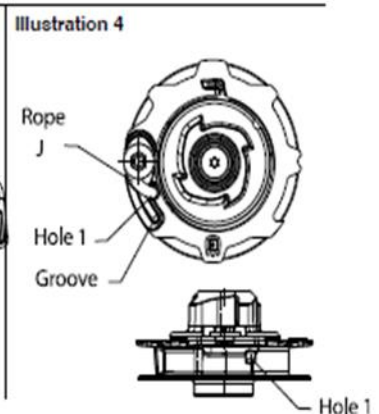
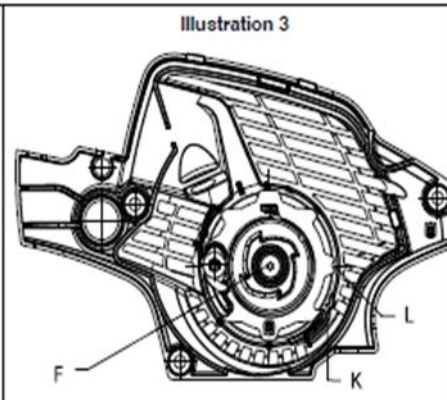
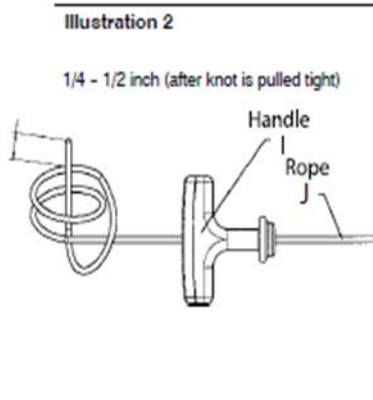
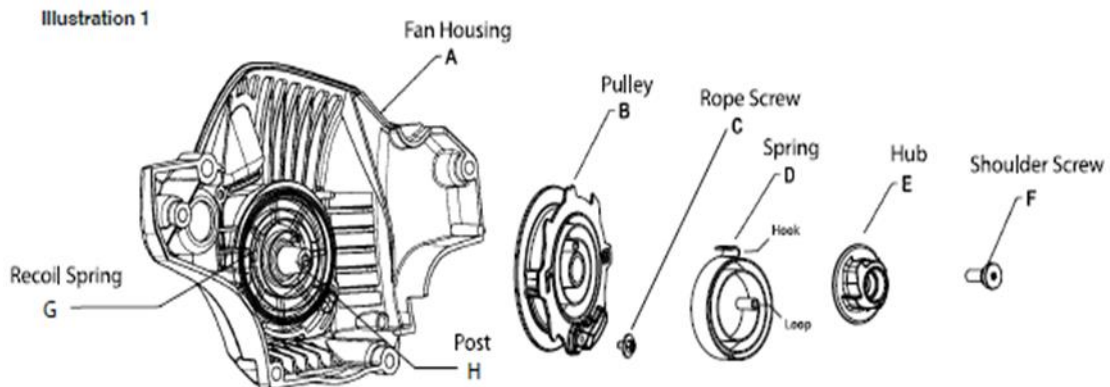
Revision History

Revision	Date	Description
A	9-2017	Created
B	2-2018	1. Affected serial number(s) 2. Parts information - Old part no.

Instructions for Service:

INSTRUCTION SHEET

STARTER PULLEY REPLACEMENT



ENGLISH:

1. Remove four (4) screws from the fan housing (A). Remove fan housing from chassis.
2. Remove rope screw (C) from pulley (B).
CAUTION: Recoil spring (G) is under tension and the pulley will tend to unwind.
3. Slowly allow recoil spring to completely unwind when removing rope (J) and handle (I) from fan housing.
4. Remove shoulder screw (F) from center of hub (E).
5. Hold pulley down in fan housing while removing hub .
6. Carefully remove pulley with spring (D) , ensuring that the recoil spring (G) remains in its pocket underneath.
7. Add a small amount of lithium grease to the post (H) and replace pulley on fan housing. Gently rotate pulley clockwise until it drops into position.
8. Replace spring and ensure hooked end of spring fully engages in the pulley . Replace hub and ensure hub pin engages in spring loop.
9. Replace hub and ensure hub pin engages in spring loop.
10. Thread shoulder screw into center of hub and post and torque to 45-50 in.-lbs.
11. Insert rope through handle and secure with a double knot. Leave 1/4"-1/2" tail behind the knot. Refer to Illustration 2
12. Carefully wind the pulley clockwise until it stops.
13. Allow the pulley to rotate counterclockwise until the pulley notch (L) and housing notch (K) are aligned. Refer to Illustration 3.
14. Then allow the pulley to rotate one complete turn counterclockwise until notches align again.
15. Insert a hex wrench or screwdriver into the slot formed by the two notches to lock the pulley.
16. Pass the free end of the rope through the hole of the fan housing, into the pulley, and up through the pulley hole (1). Refer to Illustration 4.
17. Push the rope into the retention groove. Refer to Illustration 4.
18. Thread the rope retaining screw into the screw post on pulley and tighten screw until snug (8-10 in.-lbs.) Do not over-tighten screw.
19. Pull rope taut, remove hex wrench or screwdriver, and allow pulley and rope to rewind slowly.
20. Reassemble the fan housing to the chassis and torque to 35-40 in. lbs.