



<input type="checkbox"/>	Action Required:
<input type="checkbox"/>	Sold
<input type="checkbox"/>	Not Sold
<input checked="" type="checkbox"/>	Only If Encountered
<input type="checkbox"/>	Information Only

SB, Park Brake Improvement, Poulan Pro ZTR, P54ZXT, P61ZXT, 08-2018

Affected Models

Produced from 11-20-14 to 04-11-18.

Model	PNC	Serial Range Start	Serial Range End
P54ZXT	967333901	112014B001001	021615B009001
P61ZXT	967639601	021017B001001	041118B009001

Affected Market(s)

United States.

Description

Park brake components may seize resulting in bent parts and increased service calls.

	Product sold to end users	Residual inventory not yet sold
What is required	Service is required	Service is not approved
When to do	Only if encountered	Not required
What to do	If unit is under warranty and a brake component fails, replace park brake assembly.	
How to do	See "Additional information"	

Parts Information

Replacement part number	Part description	Quantity	Old part numbers
595 84 67-01	Park Brake Service Kit	1	539132153
			539132154
			539132424
			586738802
			586830002

Warranty Reporting Information

Normal warranty rules apply. A warranty claim must be filed for each unit serviced, even if service is labor only. Please include full serial number. All claims must be sent through our warranty process using only the information listed below:

Field	Selection or Entry
Claim Type (inventory)	Not Approved
Claim Type (end users)	01 – Warranty
Failure Description	Service Bulletin # B2180010A-14
Component code	504 – Braking System
Defect code	92 – Part exchanged on request by Husqvarna
Symptom code	-
Labor Allowance	7 units (42 minutes)

<input type="checkbox"/>	Action Required:		
<input type="checkbox"/>	Sold	<input type="checkbox"/>	Not Sold
<input checked="" type="checkbox"/>	Only If Encountered		
<input type="checkbox"/>	Information Only		

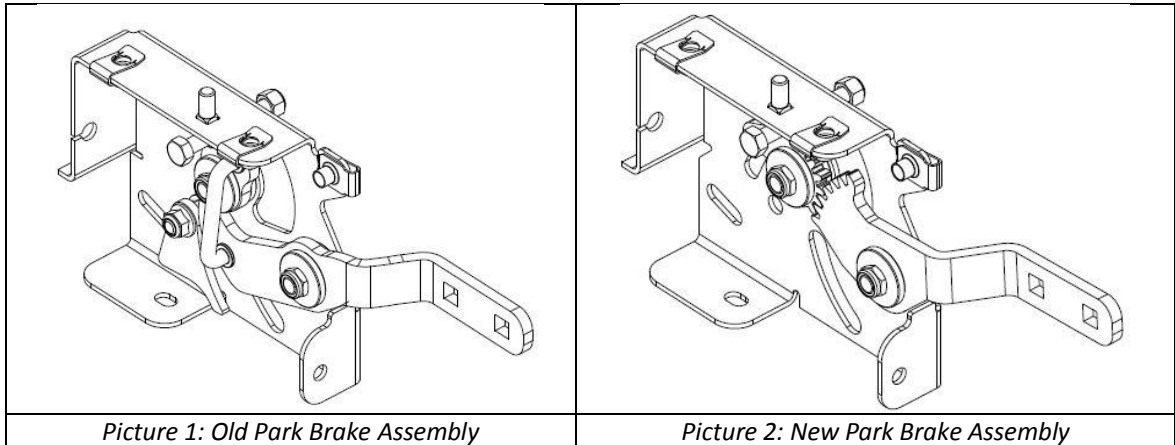
Additional Information

Instructions for service

Tools/equipment needed:

None.

Step 1. Order Park Brake Service Kit: 595 84 67-01



Revision History

Revision	Date	Description
A	07-2018	Created