

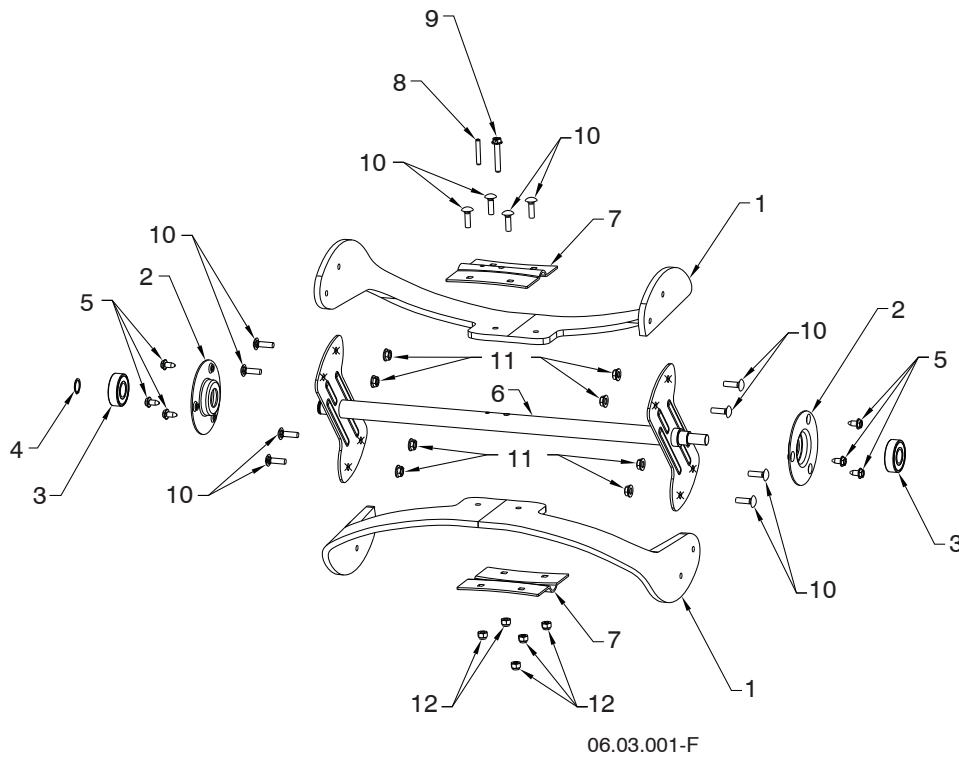
ILLUSTRATED PARTS LIST

MODEL NUMBER PR111

PRODUCT NUMBER 961 82 00-16

MFG. ID. NUMBER 96182001602

REPAIR PARTS SNOW THROWER - - MODEL NUMBER PR111 (96182001602)
AUGER ASSEMBLY



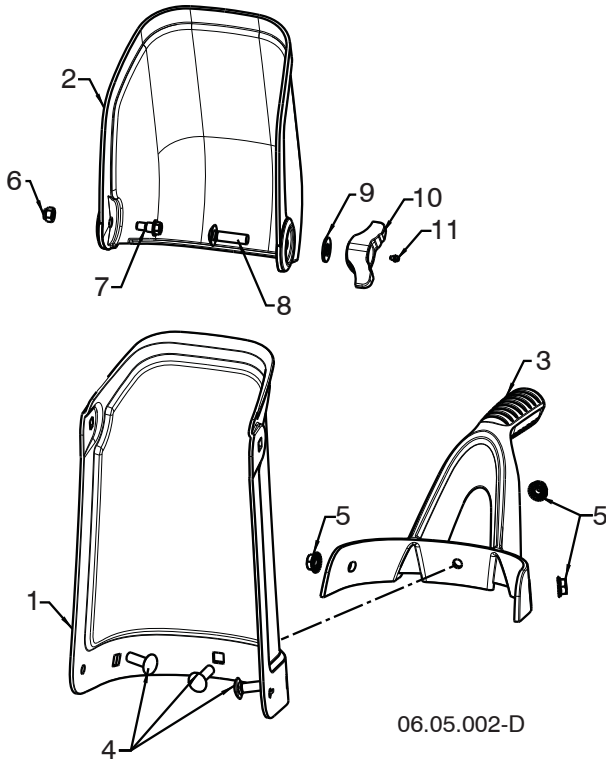
06.03.001-F

KEY NO.	PART NO.	DESCRIPTION
1	532 44 27-59	BLADE
2	580 85 55-01	BEARING SUPPORT
3	532 43 76-22	BALL BEARING
4	812 00 00-28	RETAINING RING
5	817 06 04-08	SCREW 1/4-20 X 3/8
6	532 43 76-17	AUGER WELDMENT
7	580 85 54-01	CENTER BLADE PLATE
8	532 43 76-20	ROLL PIN
9	532 19 96-87	SCREW HEX WS HD 1/4-20 X 1.5
10	872 11 04-07	BOLT CARRIAGE 1/4-20 X 7/8
11	532 19 17-30	LOCKNUT 1/4-20 HEX FLANGE SIDE
12	532 13 20-04	NUT HEX 1/4-20 SERR

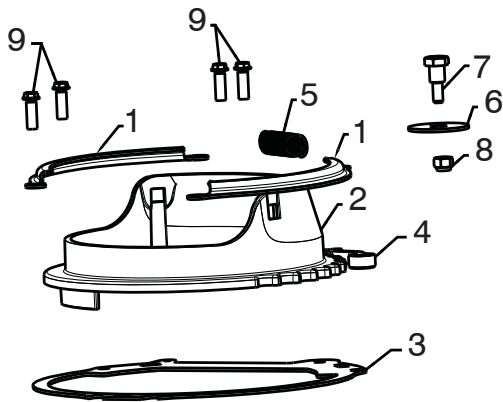
NOTE: All component dimensions given in U.S. inches. 1 inch = 25.4 mm
IMPORTANT: Use only Original Equipment Manufacturer (O.E.M.) replacement parts.
 Failure to do so could be hazardous, damage your snow thrower and void your warranty.

REPAIR PARTS SNOW THROWER - - MODEL NUMBER PR111 (96182001602)

CHUTE ASSEMBLY



KEY NO.	PART NO.	DESCRIPTION
1	532 43 76-41	CHUTE (BLACK)
2	532 43 76-43	DEFLECTOR (BLACK)
3	532 43 76-42	HANDLE (BLACK)
4	532 43 73-18	CARRIAGE BOLT 5/16-18 UNC X 1
5	873 97 05-00	NUT LOCK HEX W/INS 5/16-18 UNC PL
6	532 13 20-04	NUT HEX 1/4 – 20 NYLON LOCKING
7	532 44 46-82	SHOULDER BOLT 1/4-20 HEX HEAD
8	872 11 05-10	CARRIAGE BOLT 5/16-18 X 1-1/4
9	819 13 13-16	WASHER 13/32 X 13/16 X 16 GA
10	532 19 19-38	WING KNOB
11	532 07 16-73	CAP PLUNGER
--	532 43 48-87	BAG OF HARDWARE (NOT SHOWN)

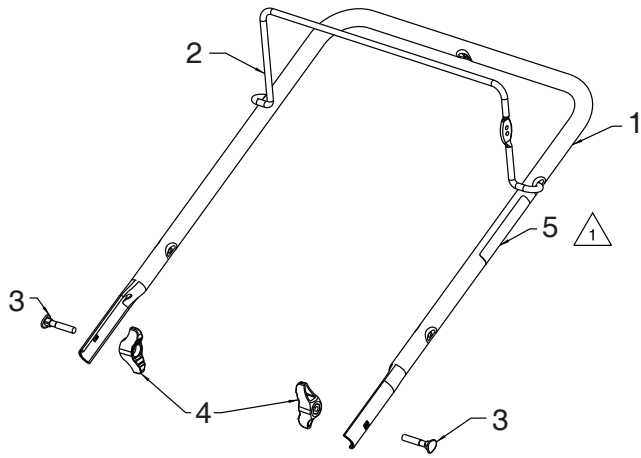


KEY NO.	PART NO.	DESCRIPTION
1	587 23 81-01	CHUTE RETAINER
2	580 85 65-01	CHUTE BASE
3	580 85 56-01	CHUTE BASE PLATE
4	532 43 48-78	RATCHET PAWL
5	532 43 48-79	SPRING
6	819 13 24-16	WASHER 13/32 X 1.25
7	532 08 13-28	BOLT 1/4-20 X .94
8	532 13 20-04	NUT 1/4-20 HEX
9	817 41 13-12	BOLT 13-16 X .75

06.04.009-C

NOTE: All component dimensions given in U.S. inches. 1 inch = 25.4 mm
IMPORTANT: Use only Original Equipment Manufacturer (O.E.M.) replacement parts. Failure to do so could be hazardous, damage your snow thrower and void your warranty.

REPAIR PARTS SNOW THROWER - - MODEL NUMBER PR111 (96182001602) HANDLE ASSEMBLY

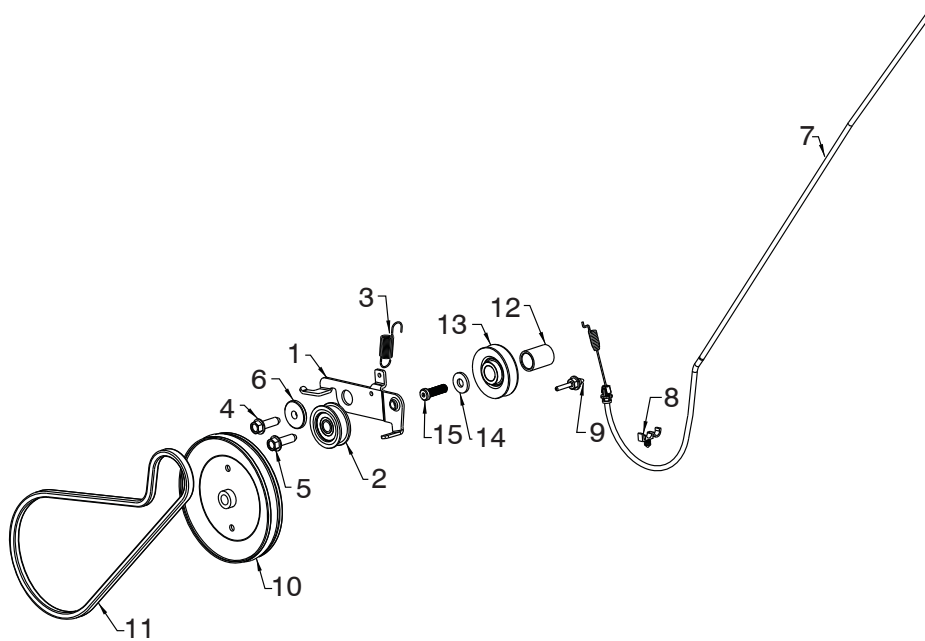


06.07.001-C

KEY NO.	PART NO.	DESCRIPTION
1	580 85 70-01	HANDLE UPPER SSST
2	580 86 04-01	BAIL STRAIGHT
3	532 19 15-74	BOLT HANDLE
4	532 19 19-38	KNOW WING
5	532 43 75-06	DECAL AUGER

NOTE: All component dimensions given in U.S. inches. 1 inch = 25.4 mm
IMPORTANT: Use only Original Equipment Manufacturer (O.E.M.) replacement parts.
Failure to do so could be hazardous, damage your snow thrower and void your warranty.

**REPAIR PARTS SNOW THROWER - - MODEL NUMBER PR111 (96182001602)
DRIVE ASSEMBLY**

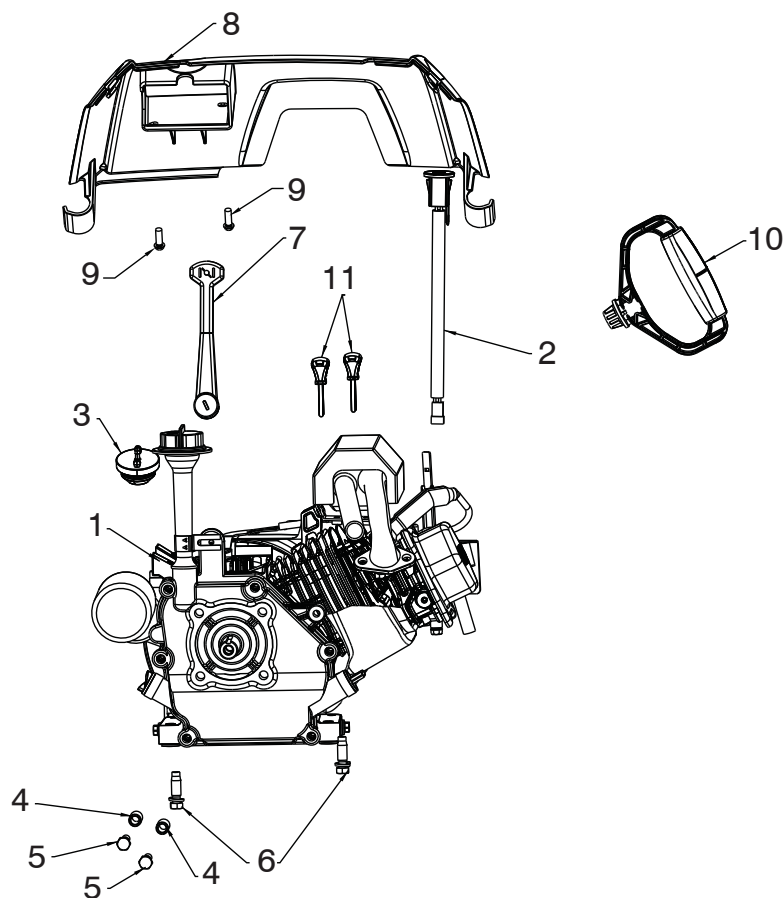


06.01.001-A

KEY NO.	PART NO.	DESCRIPTION
1	580 85 53-01	IDLER ARM
2	532 16 60-43	IDLER PULLEY
3	532 43 48-59	RETURN SPRING
4	817 06 06-20	SCREW 3/8-16 X 1-1/4 (TORQUE 13-18 FT-LBS)
5	817 06 06-20	SCREW 3/8-16 X 1-1/4 (TORQUE 22-27 FT-LBS)
6	532 19 90-92	SPACER
7	532 44 30-18	CLUTCH CABLE ASM
8	532 14 50-06	PUSH CLIP
9	532 43 45-02	BELT KEEPER
10	532 43 53-83	DRIVE PULLEY
11	532 43 72-61	BELT
12	532 43 48-60	ENGINE CRANK SPACER
13	532 42 64-90	ENGINE PULLEY
14	532 85 10-74	WASHER
15	532 43 08-17	SCREW 3/8-24 X 1/25

NOTE: All component dimensions given in U.S. inches. 1 inch = 25.4 mm
IMPORTANT: Use only Original Equipment Manufacturer (O.E.M.) replacement parts.
Failure to do so could be hazardous, damage your snow thrower and void your warranty.

REPAIR PARTS SNOW THROWER - - MODEL NUMBER PR111 (96182001602) ENGINE ASSEMBLY



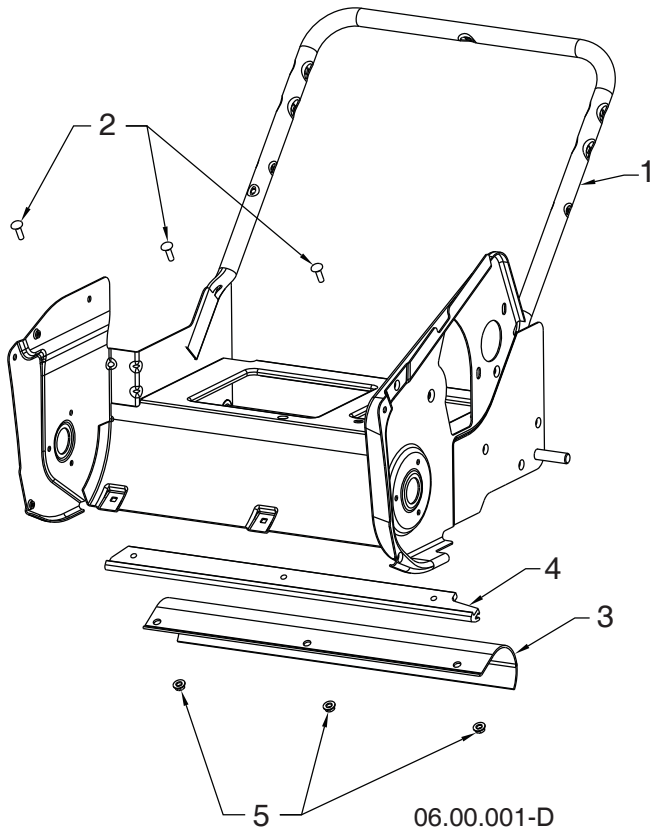
06.02.018-A

KEY NO.	PART NO.	DESCRIPTION
1	585 74 26-04	ENGINE 179 LCT ES PW3HK1850018P
2	580 85 02-01	KEY SWITCH
3	532 43 62-35	PRIMER BULB
4	532 43 48-57	ENGINE SPACER
5	532 43 55-78	SCREW 5/16-24 X 2.00 HHCS
6	532 15 04-06	ENGINE BOLT 3/8-16 DOGPOINT
7	532 43 48-74	CHOKE LEVER
8	532 43 76-58	LOWER REAR COVER
9	817 41 13-12	SCREW HEX WSHHD #13 X .750
10	532 43 62-76	HANDLE RECOIL
11	532 44 30-59	KEY SET (QTY: 2)

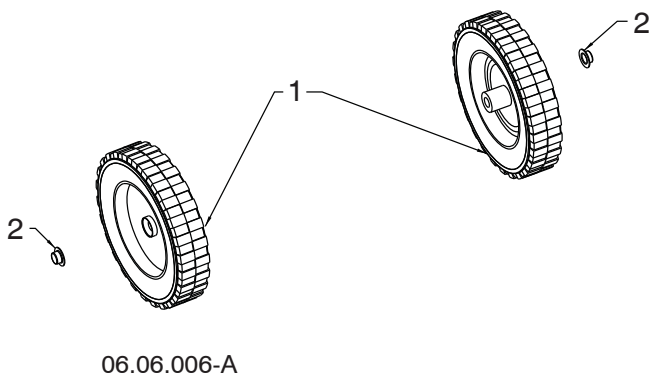
NOTE: All component dimensions given in U.S. inches. 1 inch = 25.4 mm
IMPORTANT: Use only Original Equipment Manufacturer (O.E.M.) replacement parts.
 Failure to do so could be hazardous, damage your snow thrower and void your warranty.

REPAIR PARTS SNOW THROWER - - MODEL NUMBER PR111 (96182001602)

FRAME ASSEMBLY



KEY NO.	PART NO.	DESCRIPTION
1	501 15 48-01	FRAME WELDMENT
2	872 11 04-07	BOLT CARRIAGE 1/4-20 X 7/8
3	532 44 21-46	SCRAPER SKIRT
4	580 50 26-01	BAR SCRAPER UHMW
5	532 19 17-30	NUT HEX FLANGE 1/4-20 CTR LOCK

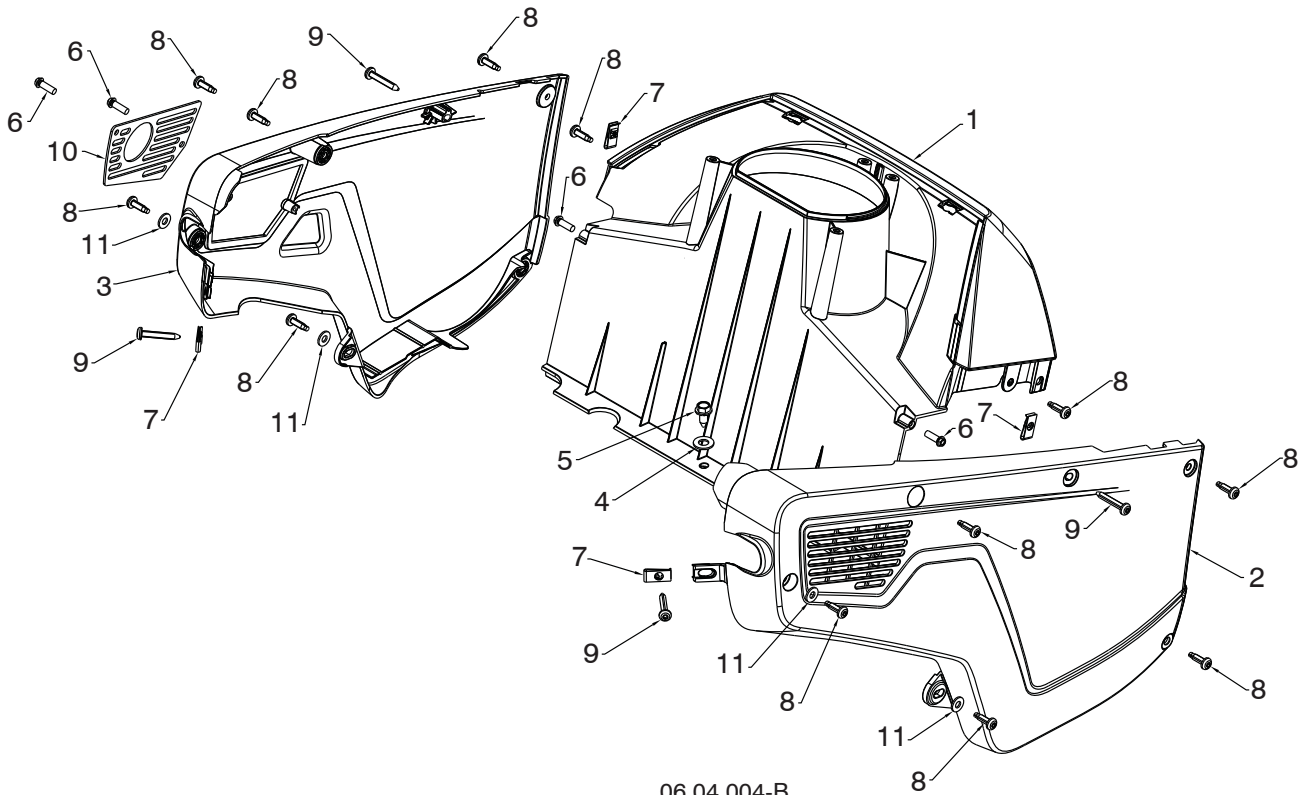


KEY NO.	PART NO.	DESCRIPTION
1	532 43 76-62	WHEEL 8"
2	532 43 54-17	PUSH NUT

NOTE: All component dimensions given in U.S. inches. 1 inch = 25.4 mm
IMPORTANT: Use only Original Equipment Manufacturer (O.E.M.) replacement parts.
 Failure to do so could be hazardous, damage your snow thrower and void your warranty.

REPAIR PARTS SNOW THROWER - - MODEL NUMBER PR111 (96182001602)

SHROUD ASSEMBLY

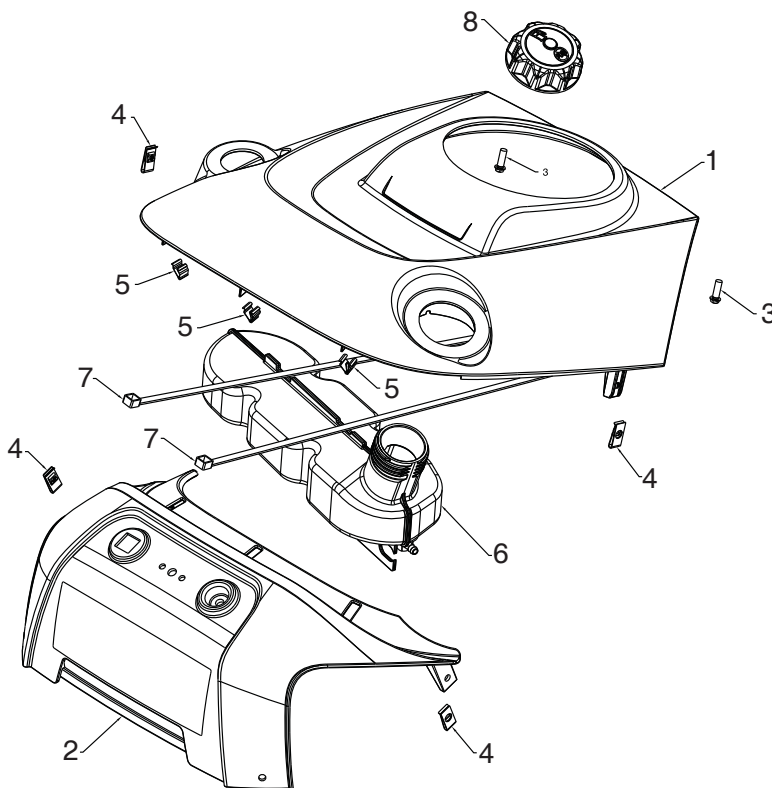


KEY NO.	PART NO.	DESCRIPTION
1	584 99 03-03	PLENUM
2	584 98 99-06	NON-DRIVE COVER
3	584 99 00-06	DRIVE COVER SIDE
4	819 13 13-16	WASHER 13/32 X 13 X 16 16 GA.
5	532 42 88-67	BOLT 5/16-18 X .75
6	817 41 13-12	BOLT 13-16 X .75
7	532 19 66-88	THREADED CLIP
8	532 44 22-50	SCREW 1/4-20 X .75
9	532 44 42-62	SCREW 1/4-20 X 1.5
10	580 83 35-01	EXHAUST PLATE
11	819 09 10-16	WASHER FLAT 1/4 SAE

NOTE: All component dimensions given in U.S. inches. 1 inch = 25.4 mm
IMPORTANT: Use only Original Equipment Manufacturer (O.E.M.) replacement parts. Failure to do so could be hazardous, damage your snow thrower and void your warranty.

REPAIR PARTS SNOW THROWER - - MODEL NUMBER PR111 (96182001602)

SHROUD ASSEMBLY



06.04.011-F

KEY NO.	PART NO.	DESCRIPTION
1	532 44 33-99	TOP COVER
2	588 75 39-01	REAR UPPER COVER
3	817 41 13-12	BOLT 13-16 X .75
4	532 19 66-88	THREADED CLIP
5	532 43 48-68	TRIM CLIP
6	580 98 26-01	FUEL TANK ASSEMBLY
7	532 14 68-48	CABLE TIE
8	581 07 55-01	FUEL CAP/GASKET
--	532 17 45-72	DECAL, CANADA, IGNITION (NOT SHOWN)
--	593 36 27-01	DECAL, EPA (NOT SHOWN)
--	590 40 31-01	DECAL, COVER (NOT SHOWN)

NOTE: All component dimensions given in U.S. inches. 1 inch = 25.4 mm
IMPORTANT: Use only Original Equipment Manufacturer (O.E.M.) replacement parts. Failure to do so could be hazardous, damage your snow thrower and void your warranty.

REPAIR PARTS SNOW THROWER - - MODEL NUMBER PR111 (96182001602) ENGINE, LCT COMPLETE ENGINE - 585742604

136/179/208cc Single-Stage Snow Engines

9999 Options

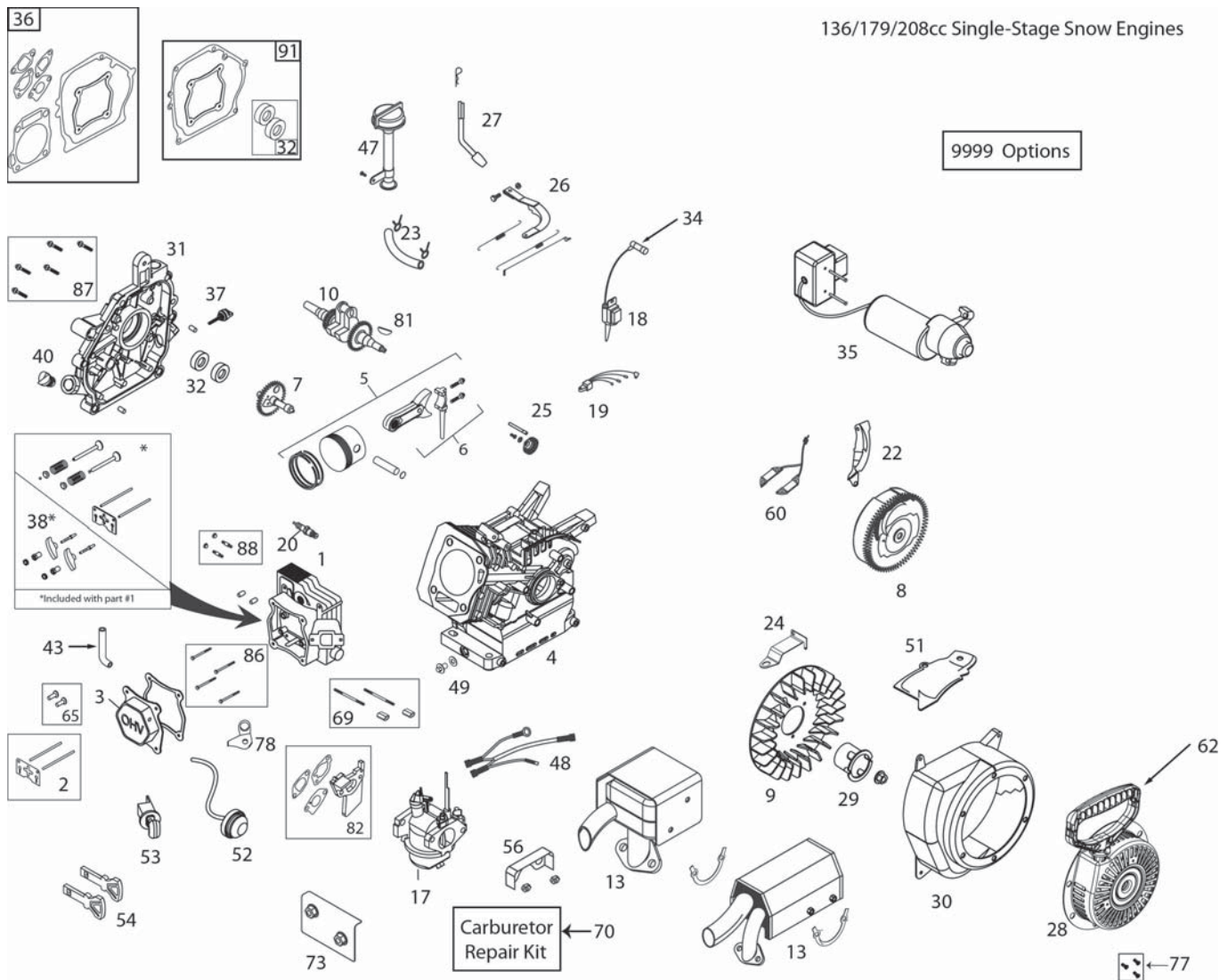


ILLUSTRATION FOR REFERENCE PURPOSES ONLY

KEY PART NO.	NO.	DESCRIPTION	KEY PART NO.	NO.	DESCRIPTION
1	587 17 57-01	CYLINDER HEAD ASSEMBLY - 179CC (INCL. GASKET)	6	N/A	N/A
2	532 42 05-79	PUSH ROD & PLATE KIT (179/208CC)(INCL. VALVE COVER GSKT)	7	587 17 72-01	CAMSHAFT - MCR (179CC)
3	532 42 05-80	VALVE COVER (179/208CC) (INCL. GASKET)	8	532 42 92-36	FLYWHEEL - MANUAL START (179/208CC)
4	N/A	N/A	9	532 42 05-86	COOLLNG FAN - FLYWHEEL (PLASTIC - 136/179/208CC)
5	587 17 71-01	PISTON & ROD ASSEMBLY (179CC)	10	587 17 61-01	CRANKSHAFT (#18 KEYED 136/179/208CC SNOW)
			13	532 44 42-77	MUFFLER ASSEMBLY(SINGLE STAGE)-SNOW

NOTE: All component dimensions given in U.S. inches. 1 inch = 25.4 mm
IMPORTANT: Use only Original Equipment Manufacturer (O.E.M.) replacement parts. Failure to do so could be hazardous, damage your snow thrower and void your warranty.

REPAIR PARTS SNOW THROWER - - MODEL NUMBER PR111 (96182001602)
ENGINE, LCT COMPLETE ENGINE - 585742604

KEY PART NO.	NO.	DESCRIPTION	KEY PART NO.	NO.	DESCRIPTION
17	532 43 71-22	CARBURETOR (L17-3) (SS SNOW 179CC- W/GSKTS)	43	580 35 34-01	BREATHER TUBE (136/179/208/254CC)
18	532 44 39-34	IGNITION COIL (CDI) (136/179/208/254CC)(STANDARD)	47	587 17 80-01	HIGH OIL-FILL TUBE/DIPSTICK (THREADED)
19	N/A	N/A	48	532 43 79-67	WIRE HARNESS (SINGLE STAGE)-SNOW
20	532 42 49-39	SPARK PLUG	49	532 43 54-95	OIL DRAIN PLUG W/WASHER (136/179/208/254CC)
22	585 77 24-01	SHIELD - FLYWHEEL - MANUAL START - SNOW	51	532 43 71-19	SHIELD - CYLLNDER (179/208CC SNOW)
23	532 43 80-14	FUEL HOSE KIT - SINGLE STAGE SNOW (318MM)	52	532 43 71-23	PRIMER BULB W/HOSE KIT (SINGLE STAGE)SNOW
24	532 42 92-59	SPEED CONTROL BRACKET (FIXED)	53	532 42 49-54	KEY SWITCH - SAFETY (PUSH/PULL) SNOW (INCL. KEYS)
25	532 42 96-46	GOVERNOR GEAR ASSEMBLY (136/179/208CC)	54	532 44 30-59	KEY SET - RED (2) (SNOW)
26	581 76 87-01	GOVERNOR ARM & LINK KIT (208CC SNOW - 3600 FIXED RPM)	56	532 42 92-60	CARBURETOR VAPOR SHIELD - 179/208CC SNOW
27	532 42 06-02	GOVERNOR ARM PADDLE	60	N/A	N/A
28	585 77 12-01	RECOIL STARTER (BLACK SNOW) (SINGLE-STAGE 78-INCH ROPE)(ORDER DECAL KIT SEPERATE)	62	532 42 49-68	STARTER GRIP-SNOW
29	532 43 69-68	STARTER CUP (USE WITH ROUND STYLE STARTER) (179/208CC SNOW)	65	581 37 28-01	TAPPET KIT (179/208/254CC)(SET OF 2)
30	532 42 92-30	BLOWER HOUSING - BLACK MANUAL START (179/208CC SNOW)	69	532 42 49-51	CARBURETOR STUDS & COUPLING KIT-SNOW
31	581 00 73-01	CRANKCASE COVER ASSY-HOFT (THREADED) (INCL. GASKET)	70	580 35 36-01	CARBURETOR REPAIR KIT (136/179/208/254CC)
32	532 42 95-99	OIL SEAL KIT (2 PCS FOR 3/4-INCH CRANKSHAFT)	73	N/A	N/A
34	532 43 69-66	SPARK PLUG BOOT - WITH METAL SHIELD (SNOW)	77	532 43 26-88	RECOIL BOLT KIT (INCL. (3) MTG BOLTS)
35	N/A	N/A	78	581 45 93-01	BREATHER TUBE BRACKET
36	532 42 96-01	ENGINE GASKET KIT (179CC)	81	585 29 72-01	WOODRUFF FLYWHEEL KEYS (5-PACK) (5X6X18MM)
37	532 42 09-61	SMALL BLACK OIL DIPSTICK (PLASTIC)	82	585 02 05-03	CARBURETOR SPACER (179/208/254CC)
38	532 42 96-91	ROCKER ARM KIT (179CC)(INCL. GASKET)	86	586 32 73-01	CYLINDER HEAD BOLT KIT (4) (136-179-208-254CC)
40	532 42 95-98	NON-REMOVABLE PLASTIC PLUG (136/179/208/254CC)	87	586 32 69-01	CC COVER BOLT KIT (6) (179-208-254CC)
			88	586 32 68-01	MUFFLER MTG STUD KIT (2)
			91	587 52 57-01	CRANKCASE GASKET KIT
			9999	586 32 62-01	HIGH ALTITUDE JET (>5,000 FEET)(179/208CC L17-3 CARBURETOR)

NOTE: All component dimensions given in U.S. inches. 1 inch = 25.4 mm
IMPORTANT: Use only Original Equipment Manufacturer (O.E.M.) replacement parts.
 Failure to do so could be hazardous, damage your snow thrower and void your warranty.

