



POULAN[®]PRO



PRHT22i

EN	Operator's manual	2-9
ES-MX	Manual del usuario	10-18
FR-CA	Manuel d'utilisation	19-27

BHT58VPR

Contents

INTRODUCTION.....	2	MAINTENANCE.....	7
SAFETY.....	3	TROUBLESHOOTING.....	8
OPERATION.....	6	TECHNICAL DATA.....	9

INTRODUCTION

Operator's manual

1-800-805-5523 (Canada)

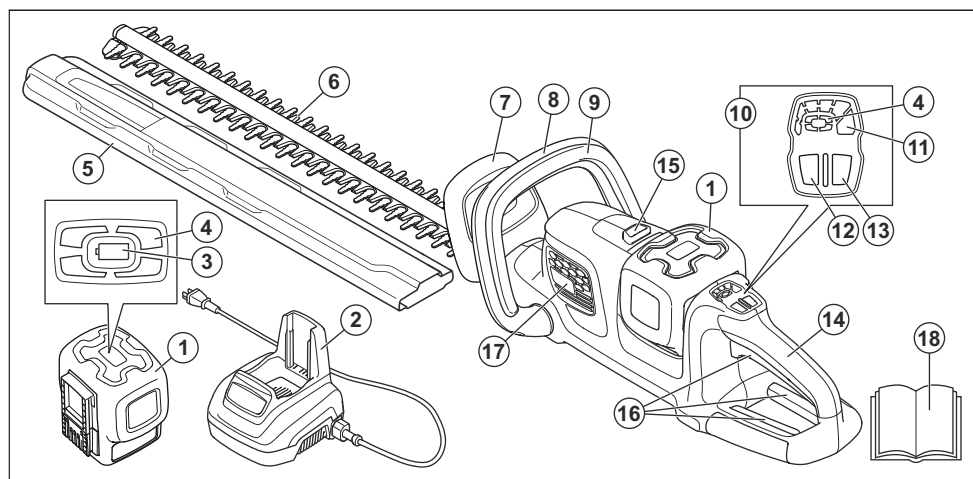
The initial language of this operator's manual is English. Operator's manuals in other languages are translations from English.

8:00 AM to 7:00 PM EST

Consumer support

1-800-487-5951 (U.S.)

Overview



1. Battery pack
2. Battery charger
3. Battery status button
4. Battery state of charge LED
5. Blade guard
6. Blades
7. Hand guard
8. Front handle
9. Front lockout
10. Digital control center
11. Power meter
12. Boost button
13. Power button
14. Rear handle
15. Battery release button

16. Trigger
17. Electrical powerhead
18. Operator's manual

Symbols on the product



Warning



Read this manual



Use approved head protection



Use approved hearing protection



Use approved eye protection (ANSI Z87.1 or equivalent)



Use approved protective boots and gloves



Wear long sleeves and trousers



DANGER - Keep hands away from blade.



Electrical shock



The product or packaging cannot be handled as domestic waste. The product and packaging must be submitted to an appropriate recycling station for the recovery of electrical and electronic equipment.



Do not leave, store or use in the rain or in wet conditions.



Recycle

Note: Other symbols/decals on the product refer to certification requirements for other commercial areas.

Product liability

As referred to in the product liability laws, we are not liable for damages that our product causes if:

- the product is incorrectly repaired.
- the product is repaired with parts that are not from the manufacturer or not approved by the manufacturer.
- the product has an accessory that is not from the manufacturer or not approved by the manufacturer.
- the product is not repaired at an approved service center or by an approved authority.

SAFETY

Safety definitions

The definitions below give the level of severity for each signal word.



WARNING: Injury to persons.



CAUTION: Damage to the product.

Note: This information makes the product easier to use.

General power tool safety warnings



WARNING: Read all safety warnings and all instructions. Failure to follow the warnings and instructions may result in electric shock, fire and/or serious injury.

Save all warnings and instructions for future reference.

The term "power tool" in the warnings refers to your mains-operated (corded) power tool or battery-operated (cordless) power tool.

Work area safety

- **Keep work area clean and well lit.** Cluttered or dark areas invite accidents.
- **Do not operate power tools in explosive atmospheres, such as in the presence of flammable liquids, gases or dust.** Power tools create sparks which may ignite the dust or fumes.
- **Keep children and bystanders away while operating a power tool.** Distractions can cause you to lose control.

Electrical safety

- **Power tool plugs must match the outlet. Never modify the plug in any way. Do not use any adapter plugs with earthed (grounded) power tools.** Unmodified plugs and matching outlets will reduce risk of electric shock.
- **Avoid body contact with earthed or grounded surfaces, such as pipes, radiators, ranges and refrigerators.** There is an increased risk of electric shock if your body is earthed or grounded.

- **Do not expose power tools to rain or wet conditions.** Water entering a power tool will increase the risk of electric shock.
- **Do not abuse the cord. Never use the cord for carrying, pulling or unplugging the power tool. Keep cord away from heat, oil, sharp edges or moving parts.** Damaged or entangled cords increase the risk of electric shock.
- **When operating a power tool outdoors, use an extension cord suitable for outdoor use.** Use of a cord suitable for outdoor use reduces the risk of electric shock.
- **If operating a power tool in a damp location is unavoidable, use a ground fault circuit interrupter (GFCI) protected supply.** Use of a GFCI reduces the risk of electric shock.
- **Disconnect the plug from the power source and/or the battery pack from the power tool before making any adjustments, changing accessories, or storing power tools.** Such preventive safety measures reduce the risk of starting the power tool accidentally.
- **Store idle power tools out of the reach of children and do not allow persons unfamiliar with the power tool or these instructions to operate the power tool.** Power tools are dangerous in the hands of untrained users.
- **Maintain power tools. Check for misalignment or binding of moving parts, breakage of parts and any other condition that may affect the power tool's operation. If damaged, have the power tool repaired before use.** Many accidents are caused by poorly maintained power tools.

Personal safety

- **Stay alert, watch what you are doing and use common sense when operating a power tool. Do not use a power tool while you are tired or under the influence of drugs, alcohol or medication.** A moment of inattention while operating power tools may result in serious personal injury.
- **Use personal protective equipment. Always wear eye protection.** Protective equipment such as dust mask, non-skid safety shoes, hard hat, or hearing protection used for appropriate conditions will reduce personal injuries.
- **Prevent unintentional starting. Ensure the switch is in the off-position before connecting to power source and/or battery pack, picking up or carrying the tool.** Carrying power tools with your finger on the switch or energising power tools that have the switch on invites accidents.
- **Remove any adjusting key or wrench before turning the power tool on.** A wrench or a key left attached to a rotating part of the power tool may result in personal injury.
- **Do not overreach. Keep proper footing and balance at all times.** This enables better control of the power tool in unexpected situations.
- **Dress properly. Do not wear loose clothing or jewellery. Keep your hair, clothing and gloves away from moving parts.** Loose clothes, jewellery or long hair can be caught in moving parts.
- **If devices are provided for the connection of dust extraction and collection facilities, ensure these are connected and properly used.** Use of dust collection can reduce dust-related hazards.

Power tool use and care

- **Do not force the power tool. Use the correct power tool for your application.** The correct power tool will do the job better and safer at the rate for which it was designed.
- **Do not use the power tool if the switch does not turn it on and off.** Any power tool that cannot be controlled with the switch is dangerous and must be repaired.

- **Keep cutting tools sharp and clean.** Properly maintained cutting tools with sharp cutting edges are less likely to bind and are easier to control.
- **Use the power tool, accessories and tool bits etc. in accordance with these instructions, taking into account the working conditions and the work to be performed.** Use of the power tool for operations different from those intended could result in a hazardous situation.

Battery tool use and care

- **Recharge only with the charger specified by the manufacturer.** A charger that is suitable for one type of battery pack may create a risk of fire when used with another battery pack.
- **Use power tools only with specifically designated battery packs.** Use of any other battery packs may create a risk of injury and fire.
- **When battery pack is not in use, keep it away from other metal objects, like paper clips, coins, keys, nails, screws or other small metal objects, that can make a connection from one terminal to another.** Shorting the battery terminals together may cause burns or a fire.
- **Under abusive conditions, liquid may be ejected from the battery; avoid contact. If contact accidentally occurs, flush with water. If liquid contacts eyes, additionally seek medical help.** Liquid ejected from the battery may cause irritation or burns.

Service

- **Have your power tool serviced by a qualified repair person using only identical replacement parts.** This will ensure that the safety of the power tool is maintained.

Hedge trimmer safety warnings

- **Use both hands when operating the hedge trimmer. Using one hand could cause loss of control and result in serious personal injury.**
- **Keep all parts of the body away from the cutter blade. Do not remove cut material or hold material to be cut when blades are moving. Make sure the**

- **switch is off when clearing jammed material. Blades coast after turn off.** A moment of inattention while operating the hedge trimmer may result in serious personal injury.
- **Carry the hedge trimmer by the handle with the cutter blade stopped.** Proper handling of the hedge trimmer will reduce possible personal injury from the cutter blades.
- **Hold the power tool by insulated gripping surfaces only, because the cutter blade may contact hidden wiring.** Cutter blades contacting a "live" wire may make exposed metal parts of the power tool "live" and could give the operator an electric shock.
- **DANGER – Keep hands away from blade.** Contact with blade will result in serious personal injury.

Battery safety

Only use battery packs from the manufacturer and only charge them in a battery charger from the manufacturer.

The rechargeable battery packs are only used as a power supply for related cordless products. To prevent injury, the battery pack must not be used as a power source for other devices.

- Do not disassemble, open or shred battery pack.
- Do not keep battery packs in open sunlight or heat. Keep battery packs away from fire.
- Regularly examine the battery pack charger and the battery pack for damage. Damaged or changed battery packs can cause a fire, explosion or risk of injury. Do not repair or open damaged battery packs.
- Do not use a battery pack or product that is defective, changed or damaged.
- Do not change or repair products or the battery pack. Only let your approved dealer do repairs.
- Do not short circuit a cell or battery pack. Do not save battery packs in a box or drawer where they can be short circuited by other metal objects.
- Do not remove a battery pack from its initial package until necessary for operation.
- Do not mechanically shock battery packs.
- If there is a battery leak, do not let the liquid touch the skin or eyes. If you have touched the liquid, clean the area with a large quantity of water and get medical aid.
- Do not use a battery charger other than what is specified for operation with the battery pack.
- Look at the plus (+) and minus (-) marks on the battery pack and product to make sure of correct operation.
- Do not use a battery pack not made for operation with the product.
- Do not mix battery packs of a different voltage or manufacturer in a device.
- Keep battery packs away from children.
- Always purchase the correct battery packs for the product.
- Keep batteries clean and dry.

- Clean the battery pack terminals with a clean dry cloth if they become dirty.
- Secondary battery packs must be charged before use. Always use the correct battery charger and refer to the manual for correct charging instructions.
- Do not keep a battery pack on continuous charge when not in operation.
- Save the manual to refer to it in the future.
- Only use the battery pack for its necessary operation.
- Remove the battery pack from the product when not in operation.
- Keep the battery pack away from paper clips, keys, nails, screws, or other small metal objects while in operation. This can make a connection between terminals. Shorting the battery pack terminals together can cause burns or a fire.

General safety instructions

- Use the product correctly. Injury or death is a possible result of incorrect use. Only use the product for the tasks found in this manual. Do not use the product for other tasks.
- Obey the instructions in this manual. Obey the safety symbols and the safety instructions. If the operator does not obey the instructions and the symbols, injury, damage or death is a possible result.
- Do not discard this manual. Use the instructions to assemble, to operate and to keep your product in good condition. Use the instructions for correct installation of attachments and accessories. Only use approved attachments and accessories.
- Do not use a damaged product. Obey the maintenance schedule. Only do the maintenance work that you find an instruction about in this manual. An approved service center must do all other maintenance work.
- This manual cannot include all situations that can occur when you use the product. Be careful and use your common sense. Do not operate the product or do maintenance to the product if you are not sure about of the situation. Speak to a product expert, your dealer, service agent or approved service center for information.
- Remove the battery pack before you assemble the product, put the product into storage or do maintenance.
- Do not use the product if it is changed from its initial specification. Do not change a part of the product without approval from the manufacturer. Only use parts that are approved by the manufacturer. Injury or death is a possible result of incorrect maintenance.
- Do not start the product indoors or near flammable material.
- The motor makes an electromagnetic field when you use the product. The electromagnetic field can cause damage to medical implants. Speak to your

physician and medical implant manufacturer before you operate the product.

- Do not let a child operate the product. Do not let a person, without knowledge of the instructions operate the product.
- Make sure that you always monitor a person, with decreased physical capacity or mental capacity, that uses the product. A responsible adult must always be.
- Lock the product in an area that children and not approved persons cannot access.
- The product can eject objects and cause injuries. Obey the safety instructions to decrease the risk of injury or death.
- Do not go away from the product when the motor is on.
- The operator of the product is responsible if an accident occurs.
- Make sure that parts are not damaged before you use the product.
- Make sure that you are a safe distance away from other persons or animals before you use the product. Make sure that a person in adjacent area knows that you will use the product.
- Refer to national or local laws. They can prevent or decrease the operation of the product in some conditions.

Protective devices on the product

- Make sure that you regularly do the maintenance to the product.
 - The life of the product increases.

- The risk of accidents decreases.

Let an approved dealer or an approved service center regularly examine the product to do adjustments or repairs.

- Do not use a product with damaged protective equipment. If the product is damaged, speak to an approved service center.

Hand guard

The hand guard prevents hands from touching the moving blades. For example, if the operator lets go of the front handle.

- Make sure that the hand guard is attached correctly.
- Make sure that the hand guard is not damaged.

Blade guard

- Make sure that the blade guard is not damaged or twisted.
- Attach the blade guard during transportation and storage of the product.

Safety instructions for maintenance



WARNING: Incorrect maintenance can result in motor damage or injury.

The operator of the product is responsible for the performance of all necessary maintenance, as specified in the operator's manual.

Remove the battery pack before you do maintenance.

OPERATION

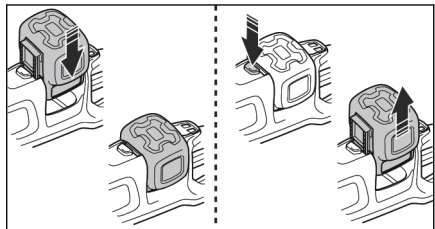


WARNING: Read and understand the safety chapter before you operate the product.

Before you start the product

- Examine the product for missing, damaged, loose or worn parts.
- Examine the nuts, screws and bolts.
- Examine the trigger for correct operation.
- Examine the power button for correct operation.

To install the battery pack



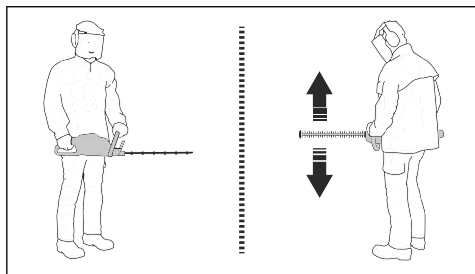
- Align the ribs of the battery pack with the mounting slots in the battery compartment. Push the battery pack into the battery compartment until you hear a click.
- To remove the battery pack, push and hold the battery release button and pull out the battery pack.

To start the motor

1. Install the battery pack. See *To install the battery pack on page 6*.

- Press the power button until the light is on.
- Hold the front handle with your left hand and the rear handle with your right hand. Squeeze the front lockout button.
- Squeeze the trigger to operate.
 - Squeeze the trigger lightly for lower speed.
 - Squeeze the trigger more for higher speed.
- Use the product.

To cut the hedge



- Move the product from the bottom up when you cut the sides.
- Point the motor away from the hedge.
- Hold the product as near to your body as possible for the correct balance.
- Make sure that the point of the blade does not touch the ground.
- Do not cut too quickly. Cut slowly and continuously until you get a good quality cut.

To change the power mode

The power mode of the product can be changed while the product is in operation. There are 2 power modes:

- Standard mode** - Saves energy and maximizes run time. Standard mode is applicable for most tasks.

Note: The product is set to Standard mode when started.

- Boost mode** - The product operates at high speed in Boost mode. Boost mode runs at maximum power for tasks that are not easy. To start Boost mode, push the Boost mode button until the light is on. To stop Boost mode, push the Boost mode button until the light is off.

Note: If the trigger is released during operation, the product starts in the last mode. If the product automatically stops, or if the operator pushes the power button, the last used mode is erased from memory. The product is set to Standard mode again when started.

Power meter

The power meter shows how much power the product uses during operation.

- LED lights 4 and 5 show the best performance and best battery efficiency.
- LED light 6 on the right side shows maximum power and the minimum battery efficiency.

Battery state of charge LED

The status of the battery pack is shown until you pull the trigger. When you release the trigger, the status of the battery pack is shown again.

The number of LEDs that are on show the current charge level of the battery pack.

LED lights	Battery status
All Green LEDs come on	Fully Charged (100% - 76%)
LED 1, 2 and 3 come on	The battery pack is 75% - 51% charged.
LED 1 and 2 come on	The battery pack is 50% - 26% charged.
LED 1 comes on	The battery pack is 25% - 6% charged.
LED 1 flashes	The battery pack is 5% - 0% charged.

Note: If the motor stops and the power LED stays on, push the button on the battery pack. For possible solutions, see *Error codes on page 8*.

Note: When the battery pack is fully discharged, the motor stops immediately.

Note: The motor automatically stops if the battery pack or motor controller is too hot during heavy operation. Let the motor and battery pack cool. The product then resets.

MAINTENANCE



WARNING: Read and understand the safety chapter before you clean, repair or do maintenance on the product.

Daily maintenance

- Remove the battery pack. Refer to the operating instructions of the battery pack for correct maintenance.
- Examine the nuts, screws and bolts.
- Examine the trigger for correct operation.

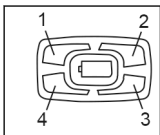
- Examine the power button for correct operation.
- Remove external unwanted material from the product with a soft brush or dry cloth. Do not clean with water, cleaning fluids, or solvents.
- Use a soft brush to remove unwanted material from the air vents.
- Examine the product for missing, damaged, loose or worn parts.
- Examine the product to make sure the moving parts align and are safe for operation.
- Lubricate the blades to prevent corrosion. The lubricant must not be poisonous or dangerous to persons, animal or plants. Make sure that the lubricant goes between the top and bottom blades.
- Attach the blade guard.
- Lock the product in an area that children and not approved persons cannot access.
- If the product is damaged, speak to an approved service center. Do not use a damaged product.

TROUBLESHOOTING

Problem	Possible faults	Possible step
The product does not start	The power is off.	Start the power. See <i>To start the motor on page 6.</i>
	No electrical contact between the product and battery pack.	Install the battery pack correctly. See <i>To install the battery pack on page 6.</i>
	The battery pack is not charged.	Charge the battery pack. See the operator's manual for the battery pack.
	The battery pack or product are too hot.	Let the battery pack and product cool down before you start the product.
	The battery pack or product are too cold.	Let the battery pack and product become warm before you start the product.
	Motor controller is too hot.	Let the battery pack and product cool down for a minimum of 1 hour before you start the product.
Blades do not move	Blades are blocked	Remove unwanted material

Error codes

The error codes help you do troubleshooting on the battery pack and/or the battery charger while it charges.



Note: Look at the battery state of charge LED with the ribs of the battery pointed up to see the correct orientation of the LED lights.

LED screen	Possible faults	Possible steps
LED 1 is red and LED 4 is green, battery pack does not charge or operate correctly in product	Internal fuse is blown	Speak to an approved service center.
LED 1 is red	Irregular cell voltage	Speak to an approved service center.
LED 4 is green	Battery pack is over-charged	Remove the battery pack from the battery charger and install in the product. Operate the product. Battery charger may be defective. Speak to an approved service center.

LED screen	Possible faults	Possible steps
LED 1 is red and LED 2 is green, battery pack does not charge or operate correctly in product	Battery pack failure	Remove battery pack from the product. Do not charge. Battery pack is damaged and must be replaced. Speak to an approved service center.
RED LED comes on, LED 2 is green and flashes during charging or when the battery pack is in the battery charger	Internal battery temperature is too low or too high for charging	Move the battery charger and battery pack to a location where the internal temperature of the battery pack can be between 5°C (41°F) and 45°C (113°F).
RED LED flashes and LED 2 flashes green when the battery pack is installed.	Internal battery temperature is too low or too high	<p>The internal temperature in the battery must be between -15°C (5°F) and 70°C (158°F). The environment temperature in the battery pack is too low or too high.</p> <ul style="list-style-type: none"> If the battery pack is too cold from the ambient environment, move the battery pack and battery charger to a warm environment. If the battery pack is too hot, especially after operation, move the battery pack and battery charger away from the hot environment.

TECHNICAL DATA

	unit	PRHT22i (BHT58VPR)
Motor specifications		
Motor type		Brushless
Motor voltage	V (DC)	58
Motor power	W	500
Battery and charger specifications		
Default battery pack type		PR140Li
Default battery charger type		PR275Ci
Blade specifications		
Blade speed (standard / boost)	min ¹	1400 / 1900
Blade length	cm (in)	55 (21.6)
Cutting capacity	mm (in)	19 (0.75)
Product dimensions		
Weight (without battery)	kg (lb)	3.66 (8.1)

Contenido

INTRODUCCIÓN.....	10	MANTENIMIENTO.....	16
SEGURIDAD.....	11	SOLUCIÓN DE PROBLEMAS.....	17
OPERACIÓN.....	15	DATOS TÉCNICOS.....	18

INTRODUCCIÓN

Manual del usuario

1-800-805-5523 (Canadá)

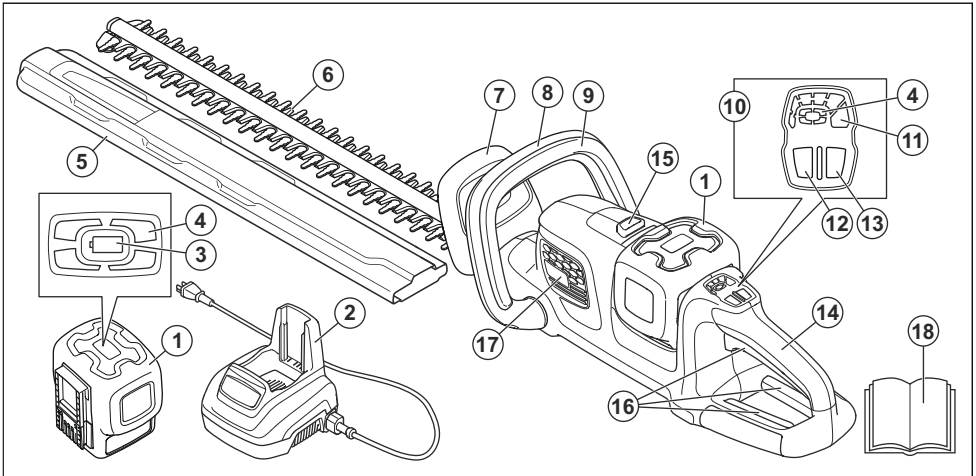
El idioma original de este manual de usuario es el inglés. Los manuales de usuario en otros idiomas son traducciones del inglés.

8:00 a. m. a 7:00 p. m. (EST)

Soporte al cliente

1-800-487-5951 (EE. UU.)

Descripción general



1. Unidad de batería
2. Cargador de batería
3. Botón de estado de la batería
4. Luz LED de estado de carga de la batería
5. Protector de la cuchilla
6. Cuchillas
7. Protección para la mano
8. Mango delantero
9. Bloqueo frontal
10. Centro de control digital
11. Medidor de energía
12. Botón de refuerzo
13. Botón de encendido.
14. Mango trasero
15. Botón de liberación de la batería

16. Acelerador
17. La cabeza motorizada eléctricos
18. Manual del usuario

Símbolos en el producto



Advertencia



Lea este manual



Use protección para la cabeza aprobada



Use protección auricular aprobada



Utilice protección ocular aprobada (ANSI Z87.1 o equivalente)



Utilice guantes y botas de protección aprobados



Utilice mangas largas y pantalones



Riesgo de corte



Sacudida eléctrica.



El producto o envase no se puede tratar como residuo doméstico. El producto o

envase se deberá enviar a una estación de reciclaje apropiada para la recuperación del equipo eléctrico y electrónico.



No deje, almacene ni utilice la batería bajo la lluvia o en condiciones húmedas.



Reciclar.

Tenga en cuenta: Otros símbolos o etiquetas del producto hacen referencia a requisitos de certificación para otras zonas comerciales.

Responsabilidad del fabricante

Como se menciona en las leyes de responsabilidad del fabricante, no nos hacemos responsables de los daños que cause nuestro producto si:

- el producto se repara incorrectamente
- el producto se repara con piezas que no son del fabricante o que este no autoriza
- el producto tiene un accesorio que no es del fabricante o que este no autoriza
- el producto no se repara en un centro de servicio autorizado o por una autoridad aprobada.

SEGURIDAD

Definiciones de seguridad

Las siguientes definiciones proporcionan el nivel de gravedad de cada palabra clave.



ADVERTENCIA: Lesiones a personas.



AVISO: Daños en el producto.

Tenga en cuenta: Esta información hace que el producto sea más fácil de usar.

Advertencias de seguridad generales de la herramienta eléctrica



ADVERTENCIA: Lea todas las advertencias de seguridad y todas las instrucciones. En caso de no seguir las advertencias ni las instrucciones se pueden producir sacudidas eléctricas, incendios o daños graves.

Guarde todas las advertencias y las instrucciones para futuras referencias.

El término "herramienta eléctrica" en las advertencias hace referencia a la herramienta eléctrica (con cable) operada con corriente o la herramienta eléctrica operada con baterías (inalámbrica).

Seguridad en el área de trabajo

- **Mantenga el área de trabajo limpia y bien iluminada.** Las áreas desordenadas u oscuras pueden generar accidentes.

- **No opere herramientas eléctricas en atmósferas explosivas, como ante presencia de gases, polvo o líquidos inflamables.** Las herramientas eléctricas generan chispas que pueden encender el polvo o humos.
- **Mantenga alejados a niños y transeúntes mientras opera una herramienta eléctrica.** Las distracciones pueden hacerle perder el control.

Seguridad eléctrica

- **Los enchufes de la herramienta eléctrica deben coincidir con la toma de corriente. Nunca modifique el enchufe de ninguna forma. No utilice enchufes con adaptador con herramientas eléctricas conectadas a tierra.** Los enchufes sin modificaciones y las tomas correspondientes reducirán el riesgo de sacudida eléctrica.
- **Evite el contacto corporal con superficies conectadas a tierra, como tuberías, radiadores, estufas y refrigeradores.** Existe un mayor riesgo de sacudida eléctrica si su cuerpo está conectado a tierra.
- **No exponga las herramientas eléctricas a la lluvia o a la humedad.** Si entra agua en una herramienta eléctrica, aumentará el riesgo de sacudida eléctrica.
- **No haga mal uso del cable. Nunca utilice el cable para transportar, tirar o desconectar la herramienta eléctrica. Mantenga el cable alejado del calor, el aceite, los bordes afilados o las piezas en movimiento.** Cables dañados o enredados aumentan el riesgo de sacudida eléctrica.
- **Al operar una herramienta eléctrica en exteriores, utilice un cable de extensión apto para su uso al aire libre.** La utilización de un cable apto para el uso al aire libre reduce el riesgo de sacudida eléctrica.
- **Si no se puede evitar el uso de una herramienta eléctrica en un lugar húmedo, utilice un suministro con protección de un interruptor de circuito de falla a tierra (GFCI, por su sigla en inglés).** El uso de un GFCI reduce el riesgo de sacudida eléctrica.

Seguridad personal

- **Permanezca alerta, vea lo que está haciendo y use el sentido común cuando opere una herramienta eléctrica. No utilice una herramienta eléctrica si está cansado o bajo la influencia de drogas, alcohol o medicamentos.** Un momento de distracción a la hora de operar una herramienta eléctrica puede generar daños personales graves.
- **Utilice equipo de protección personal. Siempre utilice protección ocular.** El equipo de protección (como máscara contra polvo, calzado de seguridad antideslizante, casco o protectores auriculares) que se utiliza en condiciones pertinentes reducirá los daños personales.
- **Evite el arranque accidental. Asegúrese de que el interruptor esté en la posición de apagado antes de conectarse a una fuente de energía o insertar una unidad de batería, así como cuando recoge o transporta la herramienta.** Al transportar herramientas eléctricas con su dedo en el interruptor

o al suministrarles corriente con el interruptor en la posición de encendido, se pueden provocar accidentes.

- **Quite cualquier llave de ajuste antes de encender la herramienta eléctrica.** Una llave conectada a una pieza giratoria de la herramienta eléctrica puede causar daños personales.
- **No se estire demasiado. Mantenga una posición y un equilibrio adecuados en todo momento.** Esto permite un mejor control de la herramienta eléctrica en situaciones inesperadas.
- **Vístase adecuadamente. No use ropa suelta ni joyas. Mantenga su cabello, su ropa y sus guantes alejados de las piezas en movimiento.** La ropa suelta, las joyas o el cabello largo pueden quedar atrapados en las partes que se mueven.
- **Si se proporcionan dispositivos para la conexión de instalaciones de recolección y extracción de polvo, asegúrese de que estos se conecten y utilicen de manera pertinente.** El uso de recolectores de polvo puede reducir los peligros relacionados con el polvo.

Uso y cuidado de la herramienta eléctrica

- **No fuerce la herramienta eléctrica. Utilice la herramienta eléctrica correcta según su aplicación.** Con la herramienta eléctrica correcta, hará el trabajo mejor y de manera más segura a razón del propósito para la cual fue diseñada.
- **No utilice la herramienta eléctrica si no se puede encender o apagar con el interruptor.** Cualquier herramienta eléctrica que no se puede controlar con el interruptor conlleva peligros y se debe reparar.
- **Desconecte el enchufe de la fuente de energía o retire la unidad de batería de la herramienta eléctrica antes de hacer ajustes, cambiar accesorios o almacenar la herramienta eléctrica.** Tales medidas de seguridad preventivas reducen el riesgo de arranque accidental de la herramienta eléctrica.
- **Almacene las herramientas eléctricas inactivas fuera del alcance de los niños y no permita que personas que no estén familiarizadas con la herramienta eléctrica o con estas instrucciones operen la herramienta eléctrica.** Las herramientas eléctricas conllevan peligros en manos de usuarios inexpertos.
- **Realice mantenimiento a las herramientas eléctricas. Revise en busca de atascamiento o desalineación de las piezas móviles, rotura de piezas y cualquier otra condición que pueda afectar el funcionamiento de la herramienta eléctrica. Si se daña, repare la herramienta eléctrica antes de su uso.** Muchos de los accidentes se deben a herramientas eléctricas con un mal mantenimiento.
- **Mantenga las herramientas de corte afiladas y limpias.** Las herramientas de corte con un mantenimiento correcto y bordes cortantes afilados son menos propensas a atascamientos y más fáciles de controlar.
- **Utilice la herramienta eléctrica, los accesorios, las barrenas, etc. de acuerdo con estas instrucciones, teniendo en cuenta las condiciones de trabajo y la**

tarea. El uso de la herramienta eléctrica en operaciones distintas de las previstas podría generar una situación peligrosa.

Uso y cuidado de la herramienta a batería

- **Recargue únicamente con el cargador especificado por el fabricante.** Un cargador apto para un tipo de unidad de batería puede implicar riesgo de incendio si se usa con otra unidad de batería distinta.
- **Utilice las herramientas eléctricas únicamente con las unidades de batería específicas para ellas.** El uso de otras unidades de batería puede implicar riesgo de lesiones e incendio.
- **Cuando la unidad de batería no esté en uso, manténgala alejada de otros objetos metálicos, como clips, monedas, llaves, clavos, tornillos u otros objetos metálicos pequeños, que pueden provocar una conexión entre los terminales.** Si hace un puente entre los terminales de la batería, puede causar quemaduras o un incendio.
- **En condiciones extremas, la batería puede expulsar líquido; evite el contacto. Si se produjera un contacto accidentalmente, enjuáguese con agua. Si el líquido entra en contacto con los ojos, además, acuda a un médico.** El líquido expulsado de la batería puede causar irritaciones o quemaduras.

Servicio

- **Asegúrese de que un experto calificado realice la reparación de la herramienta eléctrica solo con piezas de repuesto idénticas.** Esto garantizará que se mantenga la seguridad de la herramienta eléctrica.

Advertencias de seguridad del cortasetos

- **Utilice ambas manos cuando opere el cortasetos. Con una sola mano puede perder el control y provocar lesiones graves.**
- **Mantenga todas las partes del cuerpo lejos del disco de corte. No retire el material cortado ni retenga el material que se cortará mientras las hojas se muevan. Asegúrese de que el interruptor esté apagado cuando retire el material atascado. Las hojas quedan en punto muerto después del apagado.** Un momento de distracción a la hora de operar un cortasetos puede generar daños personales graves.
- **Para transportar el cortasetos, utilice el mango con la hoja de la cortadora inmóvil. Cuando transporte o almacene el cortasetos, coloque siempre la tapa del dispositivo de corte.** El manejo adecuado del cortasetos reducirá la posibilidad de daños personales causados por las hojas de la cortadora.
- **Manipule la herramienta eléctrica solo en superficies de sujeción aisladas, ya que el disco de corte puede entrar en contacto con cableado oculto.** Si los discos de corte entran en contacto con un cable con corriente, es posible que las piezas metálicas expuestas de la herramienta eléctrica reciban

tensión y que el operador reciba una sacudida eléctrica.

Seguridad de la batería

Utilice solo unidades de baterías del fabricante y cárguelas exclusivamente en un cargador de batería del fabricante.

Las unidades de baterías recargables solo pueden utilizarse como fuente de alimentación para los productos inalámbricos relacionados. Para evitar lesiones, la unidad de batería no debe utilizarse como fuente de alimentación para otros dispositivos.

- No desmonte, abra ni ralle las unidades de baterías.
- Cuando guarde las unidades de baterías, no las exponga a la luz solar directa o al calor. Mantenga las unidades de baterías lejos del fuego.
- Examine regularmente el cargador de la unidad de batería y la unidad de batería para detectar daños. Las unidades de baterías dañadas o modificadas pueden provocar un incendio, explosión o riesgo de lesiones. No repare ni abra las unidades de baterías dañadas.
- No utilice la unidad de batería ni el producto que esté defectuoso, modificado o dañado.
- No cambie ni repare los productos ni la unidad de batería. Permita únicamente que un concesionario autorizado haga las reparaciones.
- No provoque cortocircuitos en una celda o unidad de batería. No guarde las unidades de baterías en una caja o en un compartimento donde puedan provocar cortocircuitos por contacto con otros objetos metálicos.
- No saque una unidad de batería de su empaque original hasta que sea necesaria su operación.
- No provoque choques mecánicos a las unidades de baterías.
- Si se produce una filtración en la batería, no permita que el líquido entre en contacto con la piel ni los ojos. Si toca el líquido, limpie el área con agua abundante y solicite asistencia médica.
- No utilice un cargador de batería que no sea el especificado para el funcionamiento con la unidad de batería.
- Mire los signos más (+) y menos (-) en la unidad de batería y en el producto para asegurarse de un funcionamiento correcto.
- No utilice una unidad de batería que no esté fabricada para su funcionamiento con el producto.
- No mezcle unidades de baterías de una tensión o de un fabricante diferente en el dispositivo.
- Mantenga las unidades de baterías lejos de los niños.
- Adquiera siempre las unidades de baterías adecuadas para el producto.
- Mantenga las baterías limpias y secas.
- Limpie los terminales de la celda o de las unidades de batería con un paño seco y limpio.

- Las unidades de baterías secundarias deben estar totalmente cargadas antes de su uso. Siempre utilice el cargador de batería correcto y consulte el manual del equipo para obtener las instrucciones de carga apropiadas.
- No mantenga una unidad de batería en carga continua cuando no esté en funcionamiento.
- Guarde el manual para consultarlo en el futuro.
- Utilice únicamente la unidad de batería para su funcionamiento necesario.
- Retire la unidad de batería del producto cuando no esté en funcionamiento.
- Mantenga la unidad de batería lejos de clips, llaves, clavos, tornillos u otros objetos metálicos pequeños mientras está en funcionamiento. Estos objetos pueden hacer una conexión entre los terminales. Si hace un puente entre los terminales de la unidad de batería, puede causar quemaduras o un incendio.
- No encienda el producto en interiores o cerca de materiales inflamables.
- El motor produce un campo electromagnético al utilizar el producto. El campo electromagnético puede causar daños a implantes médicos. Hable con su médico y fabricante del implante antes de utilizar el producto.
- No deje que un niño utilice el producto. No permita que una persona que no conozca las instrucciones utilice el producto.
- Asegúrese de supervisar siempre a una persona con capacidades físicas o mentales limitadas que utilice el producto. Un adulto responsable debe estar siempre presente.
- Mantenga el producto en un área a la cual los niños y las personas no autorizadas no puedan acceder.
- El producto puede expulsar objetos y causar lesiones. Siga las instrucciones de seguridad para reducir el riesgo de lesiones graves o fatales.

Instrucciones generales de seguridad

- Utilice el producto correctamente. Las lesiones graves o fatales son un posible resultado de un uso incorrecto. Solo utilice el producto para las tareas que aparecen en este manual. No utilice el producto para otras tareas.
- Obedezca las instrucciones contenidas en este manual. Obedezca los símbolos y las instrucciones de seguridad. Si el usuario no obedece las instrucciones y los símbolos, es posible que se produzcan daños y lesiones tanto graves como fatales.
- No deseche este manual. Utilice las instrucciones para montar, operar y mantener el producto en buen estado. Utilice las instrucciones para la correcta instalación de piezas y accesorios. Utilice solamente piezas y accesorios homologados.
- No use un producto dañado. Cumpla con el programa de mantenimiento. Realice solamente las tareas de mantenimiento en las que se detallan instrucciones en este manual. Un centro de servicio autorizado debe realizar todos los demás trabajos de mantenimiento.
- En este manual no se pueden abarcar todas las situaciones que pueden ocurrir cuando se utiliza el producto. Tenga cuidado y use el sentido común. No haga funcionar el producto ni realice mantenimientos si no está seguro acerca de la situación. Hable con un experto en el producto, su distribuidor, el agente de servicio o un centro de servicio autorizado para obtener más información.
- Extraiga la unidad de batería antes de montar o almacenar el producto, o realizar tareas de mantenimiento.
- No utilice el producto si cambia su especificación inicial. No cambie una parte del producto sin la aprobación del fabricante. Utilice solamente las piezas que están aprobadas por el fabricante. Las lesiones graves o fatales son un posible resultado de un mantenimiento incorrecto.

Dispositivos de protección en el producto

- Asegúrese de realizar el mantenimiento del producto frecuentemente.
 - Esto aumenta la vida útil del producto.
 - Disminuye el riesgo de accidentes.
- Permita que un concesionario autorizado o un centro de servicio autorizado examinen frecuentemente el producto para realizar ajustes o reparaciones.
- No use un producto con equipo de protección dañado. Si el producto está dañado, comuníquese con un centro de servicio autorizado.

Protección para la mano

La protección para la mano impide que las manos entren en contacto con las cuchillas en movimiento. Por ejemplo, si el operador suelta el mango delantero.

- Asegúrese de que la protección para la mano esté correctamente fijada.
- Asegúrese de que la protección para la mano no esté dañada.

Protector de la cuchilla

- Asegúrese de que la protección de la hoja no esté dañada o torcida.
- Fije la protección de la hoja durante el transporte y el almacenamiento del producto.

Instrucciones de seguridad para el mantenimiento



ADVERTENCIA: El mantenimiento incorrecto puede provocar daños al motor o lesiones.

El operador del producto es responsable de la realización de todo el mantenimiento necesario, según se especifica en el manual de usuario.

Retire la unidad de batería antes de realizar mantenimiento.

OPERACIÓN

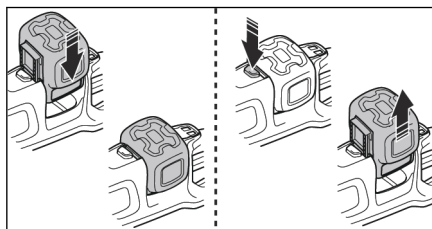


ADVERTENCIA: Asegúrese de leer y comprender el capítulo de seguridad antes de utilizar el producto.

Antes de arrancar el producto

- Examine el producto para ver si hay piezas dañadas, sueltas, desgastadas o faltantes.
- Examine las tuercas, los tornillos y los pernos.
- Revise que el gatillo funcione correctamente.
- Revise que el botón de encendido funcione correctamente.

Para instalar la unidad de batería



- Alinee las pestañas de la unidad de batería con las ranuras de montaje en el compartimiento de la batería. Introduzca la unidad de batería en el compartimiento de la batería hasta que oiga un clic.
- Para extraer la unidad de batería, mantenga presionado el botón de liberación de la batería y extraiga la unidad de batería.

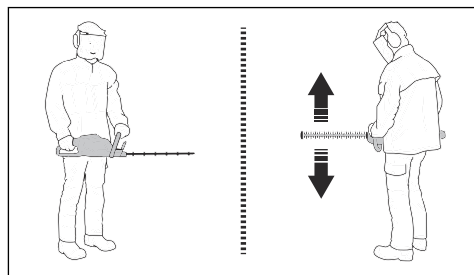
Para arrancar el motor

1. Instale la unidad de batería. Consulte *Para instalar la unidad de batería en la página 15*.
2. Pulse el botón de encendido hasta que la luz se encienda.
3. Sujete el mango delantero con la mano izquierda y el mango trasero con la mano derecha. Apriete el botón de bloqueo frontal.
4. Apriete el gatillo para hacer funcionar el producto.

- Apriete el gatillo ligeramente para bajar la velocidad.
- Apriete más el gatillo para aumentar la velocidad.

5. Utilice el producto.

Para cortar el seto



- Mueva el producto desde abajo hacia arriba cuando corte los costados.
- Apunte el motor lejos del seto.
- Mantenga el producto lo más cerca posible de su cuerpo para tener un equilibrio correcto.
- Asegúrese de que la punta de la cuchilla no toque el suelo.
- No corte demasiado rápido. Corte de forma lenta y continua hasta obtener un corte de buena calidad.

Para cambiar el modo de potencia

Se puede cambiar el modo de potencia mientras el producto está en funcionamiento. Existen 2 modos de potencia:

1. **Modo estándar:** ahorra energía y maximiza el tiempo de funcionamiento. El modo estándar es válido para la mayoría de las tareas.

Tenga en cuenta: El producto se encuentra configurado en el modo estándar durante el inicio.

2. **Modo de impulso:** el producto funciona a alta velocidad en el modo de impulso. El modo de impulso funciona a máxima potencia para las tareas que no son fáciles. Para iniciar el modo de impulso, presione el botón de modo de impulso hasta que se encienda la luz. Para detener el modo de impulso, presione el botón de modo de impulso hasta que se apague la luz.

Tenga en cuenta: Si se suelta el gatillo durante el funcionamiento, el producto se inicia en el último modo. Si el producto se detiene automáticamente, o si el operador presiona el botón de encendido, el último modo se borra de la memoria. El producto está configurado en modo estándar cuando se pone nuevamente en funcionamiento.

Medidor de energía

El medidor de potencia muestra cuánta energía utiliza el producto durante el funcionamiento.

- Las luces LED 4 y 5 muestran el mejor rendimiento y la mejor eficiencia de la batería.
- La luz LED 6 en el lado derecho muestra la potencia máxima y la eficiencia mínima de la batería.

Luz LED de estado de carga de la batería

El estado de la unidad de batería se muestra hasta que se aprieta el gatillo. Cuando se suelta el gatillo, el estado de la unidad de batería se muestra de nuevo.

El número de luces LED que se encuentran encendidas muestran el nivel de carga actual de la unidad de batería.

Luces LED	Estado de la batería
Se encienden todas las luces LED verdes	Totalmente cargado (100 % - 76 %)
Se encienden las luces LED 1, 2 y 3	La unidad de batería está un 75 %-51 % cargada.
Se encienden las luces LED 1 y 2	La unidad de batería está un 50%-26% cargada.
Se enciende la luz LED 1	La unidad de batería está un 25%-6% cargada.
La luz LED 1 parpadea	La unidad de batería está un 5%-0% cargada.

Tenga en cuenta: Si el motor se detiene y la luz LED de alimentación permanece encendida, presione el botón en la unidad de batería. Para las soluciones posibles, consulte [#unique_57/unique_57_Connect_42_](#).

Tenga en cuenta: Cuando la unidad de batería se encuentra completamente descargada, el motor se detiene inmediatamente.

Tenga en cuenta: El motor se detiene automáticamente si la unidad de batería o el controlador del motor están muy calientes durante el funcionamiento intenso. Deje que el motor y la unidad de batería se enfríen. El producto se restablece.

MANTENIMIENTO



ADVERTENCIA: Asegúrese de leer y comprender el capítulo de seguridad antes de limpiar, reparar o realizar el mantenimiento del producto.

Mantenimiento diario

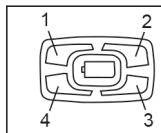
- Extraiga la unidad de batería. Consulte las instrucciones de operación de la unidad de batería para conocer el mantenimiento correcto.
- Examine las tuercas, los tornillos y los pernos.
- Revise que el gatillo funcione correctamente.
- Revise que el botón de encendido funcione correctamente.
- Quite el material no deseado externo del producto con un cepillo suave o un paño seco. No limpie con agua, líquidos de limpieza ni solventes.
- Utilice un cepillo suave para quitar el material no deseado de los conductos de ventilación.
- Examine el producto para ver si hay piezas dañadas, sueltas, desgastadas o faltantes.
- Examine el producto para asegurarse de que las piezas móviles se encuentran alineadas y seguras para la operación.
- Lubrique las cuchillas para evitar la corrosión. El lubricante no debe ser tóxico o peligroso para personas, animales o plantas. Asegúrese de que el lubricante se encuentra entre la parte superior e inferior de las cuchillas.
- Fije el protector de la hoja.
- Mantenga el producto en un área a la cual los niños y las personas no autorizadas no puedan acceder.
- Si el producto está dañado, comuníquese con un centro de servicio autorizado. No use un producto dañado.

SOLUCIÓN DE PROBLEMAS

Problema	Posibles fallas	Paso posible
El producto no arranca	El sistema está apagado.	Active la alimentación de corriente. Consulte <i>Para arrancar el motor en la página 15</i> .
	No hay contacto eléctrico entre el producto y la unidad de batería.	Instale la unidad de batería correctamente. Consulte <i>Para instalar la unidad de batería en la página 15</i> .
	La unidad de batería no se encuentra cargada.	Cargue la unidad de batería. Consulte el manual de usuario de la unidad de batería.
	La unidad de batería o el producto están demasiado calientes.	Deje que la unidad de batería y el producto se enfríen antes de arrancar el producto.
	La unidad de batería o el producto están demasiado fríos.	Deje que la unidad de batería y el producto se calienten antes de arrancar el producto.
	El controlador del motor está demasiado caliente.	Deje que la unidad de batería y el producto se enfríen durante una hora como mínimo antes de arrancar el producto.
Las hojas no se mueven	Las hojas están bloqueadas	Elimine el material no deseado

Códigos de error

Les codes d'erreur aident à dépanner la batterie ou le chargeur du bloc de la batterie pendant la charge.



Tenga en cuenta: Observe la luz LED de estado de carga de la batería con las pestañas de la batería apuntado hacia arriba para ver la posición correcta de las luces LED.

Pantalla LED	Posibles fallas	Pasos posibles
La luz LED 1 es roja y la LED 4 es verde; la unidad de batería no carga ni funciona correctamente en el producto	El fusible interno se fundió	Consulte a un centro de servicio autorizado.
La luz LED 1 es roja	Tensión irregular de celda	Consulte a un centro de servicio autorizado.
La luz LED 4 es verde	La unidad de batería está sobrecargada	Retire la unidad de batería del cargador de batería e instálela en el producto. Opere el producto. El cargador de batería puede estar defectuoso. Consulte a un centro de servicio autorizado.
La luz LED 1 es roja y la LED 2 es verde; la unidad de batería no carga ni funciona correctamente en el producto	Falla en la unidad de batería	Quite la unidad de batería del producto. No la cargue. La unidad de batería está dañada y se debe sustituir. Consulte a un centro de servicio autorizado.

Pantalla LED	Posibles fallas	Pasos posibles
Se enciende la luz LED ROJA, la luz LED 2 es verde y parpadea durante la carga o cuando la unidad de batería está en el cargador de batería	La temperatura interna de la batería es demasiado baja o demasiado alta para la carga	Mueva el cargador y la unidad de batería a un lugar donde la temperatura interna de la unidad de batería pueda variar entre 5 °C (41 °F) y 45 °C (113 °F).
La luz LED ROJA parpadea y la luz LED 2 parpadea en color verde cuando la unidad de batería está instalada.	La temperatura interna de la batería es demasiado baja o demasiado alta	La temperatura interna de la batería debe estar entre -15 °C (5 °F) y 70 °C (158 °F). La temperatura ambiente de la unidad de batería es demasiado baja o demasiado alta. <ul style="list-style-type: none"> • Si la unidad de batería está demasiado fría respecto de la temperatura ambiente, mueva la unidad de batería y el cargador a un entorno cálido. • Si la unidad de batería está demasiado caliente, especialmente después del funcionamiento, mueva la unidad de batería y el cargador lejos del ambiente cálido.

DATOS TÉCNICOS

	unidad	PRHT22i (BHT58VPR)
Especificaciones del motor		
Tipo de motor		Sin escobillas
Voltaje del motor	V (CC)	58
Potencia del motor	Mi	500
Especificaciones de la batería y el cargador		
Tipo de unidad de batería predeterminado		PR140Li
Tipo de cargador de batería predeterminado		PR275Ci
Especificaciones de la cuchilla		
Velocidad de la cuchilla (estándar/refuerzo)	min ¹	1400/1900
Longitud de la cuchilla	cm (pulg.)	55 (21.6)
Capacidad de corte	mm (pulg.)	19 (0,75)
Dimensiones del producto		
Peso (sin batería)	kg (lb)	3,66 (8,1)

Table des matières

INTRODUCTION.....	19	ENTRETIEN.....	25
SÉCURITÉ.....	20	DÉPANNAGE.....	26
FONCTIONNEMENT.....	24	DONNÉES TECHNIQUES.....	27

INTRODUCTION

Manuel d'utilisation

La langue initiale de ce manuel de l'opérateur est l'anglais. Les manuels de l'utilisateur fournis dans d'autres langues sont des traductions de l'anglais.

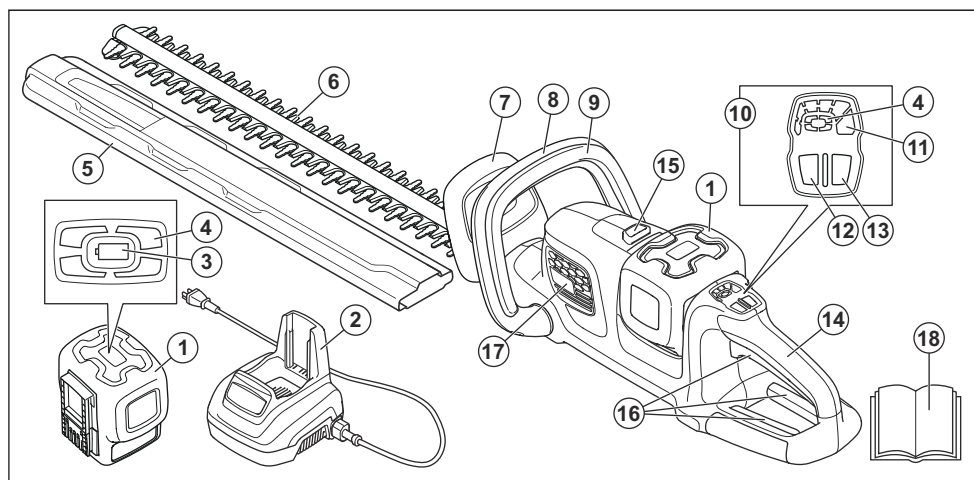
Service à la clientèle

1 800 487-5951 (É.-U.)

1 800 805-5523 (Canada)

8 h à 19 h HE

Vue d'ensemble



1. Bloc de batteries
2. Chargeur de batterie
3. Bouton d'état de la batterie
4. Témoignage à DEL d'état de charge de la batterie
5. Protège-lame
6. Lames
7. Protège-mains
8. Poignée avant
9. Verrouillage avant
10. Centre de commande numérique
11. Jauge de puissance
12. Bouton de suralimentation
13. Bouton d'alimentation
14. Poignée arrière
15. Bouton de déverrouillage de la batterie

16. Gâchette
17. Ensemble moteur électrique
18. Manuel d'utilisation

Symboles figurant sur l'outil



Avertissement



Lire attentivement ce manuel



Utiliser un dispositif de protection homologué pour la tête



Utiliser un dispositif de protection homologué pour les oreilles



Porter des lunettes de protection homologuées (ANSI Z87.1 ou équivalent)



Porter des bottes et des gants de protection homologués



Porter des manches longues et des pantalons longs



Risque de coupures



Risques d'électrocution



Le produit ou l'emballage ne peut pas être traité comme un déchet domestique. Le

produit et l'emballage doivent être déposés dans un centre de recyclage pour la récupération des équipements électriques et électroniques.



Ne pas laisser, entreposer ou utiliser le produit sous la pluie ou dans des conditions humides.



Recycler

Remarque : Les autres symboles/autocollants présents sur l'outil renvoient aux exigences en matière de certification pour d'autres zones commerciales.

Responsabilité concernant le produit

Comme indiqué dans les lois en vigueur sur la responsabilité concernant les produits, nous ne serons pas tenus responsables des dommages que notre produit causerait dans les situations suivantes :

- Le produit n'est pas réparé de façon adéquate.
- Le produit est réparé avec des pièces qui ne sont pas fournies ou homologuées par le fabricant.
- Le produit comprend un accessoire qui n'est pas fourni ou homologué par le fabricant.
- Le produit n'est pas réparé par un centre de service après-vente agréé ou par une autorité homologuée.

SÉCURITÉ

Définitions relatives à la sécurité

Les définitions ci-dessous indiquent le niveau de gravité pour chaque mot signal.



AVERTISSEMENT : Blessures aux personnes.



MISE EN GARDE : Dommages causés à l'outil.

Remarque : Cette information facilite l'utilisation de l'outil.

Consignes générales de sécurité relatives aux outils électriques



AVERTISSEMENT : Lire toutes les instructions et consignes de sécurité. Le non-respect de ces instructions et consignes peut provoquer une électrocution, un incendie et des blessures graves.

Conserver ces instructions et consignes pour consultation ultérieure.

Dans les avertissements, le terme « outil électrique » fait référence à votre appareil électrique branché sur le secteur ou alimenté par batterie (sans fil).

Sécurité de la zone de travail

- **Maintenir l'aire de travail propre et bien éclairée.** Les endroits sombres ou encombrés sont propices aux accidents.

- **Ne pas utiliser des outils électriques dans des atmosphères explosives, notamment en présence de liquides, gaz ou poussières inflammables.** Les outils électriques produisent des étincelles qui peuvent enflammer les poussières et les vapeurs.
- **Tenir les enfants et les spectateurs à distance lorsque l'outil électrique est en marche.** Un moment d'inattention pourrait vous en faire perdre le contrôle.
- **Retirer toute clé ou clavette de réglage avant de mettre l'outil sous tension.** Une clé ou une clavette reliée à une pièce mobile de l'outil peut causer une blessure.
- **Ne pas trop se pencher en avant. Toujours se tenir bien campé et en équilibre.** Cela permet de mieux contrôler l'outil lors d'un imprévu.

Sécurité électrique

- **La fiche d'un outil électrique doit être adaptée à la prise. Ne jamais modifier la fiche. Ne jamais utiliser une fiche d'adaptation avec un outil électrique mis à la terre.** Les fiches non modifiées et les prises adaptées à la fiche permettent de réduire les risques d'électrocution.
- **Éviter d'entrer en contact avec les surfaces mises à la terre (tuyaux, radiateurs, cuisinières, réfrigérateurs, etc.).** Le risque d'électrocution est plus important si le corps est mis à terre.
- **Ne pas exposer les outils électriques à la pluie ou à l'humidité.** L'infiltration d'eau dans un outil électrique augmente le risque d'électrocution.
- **Toujours manipuler le cordon avec soin. Ne jamais utiliser le cordon pour porter, tirer ou débrancher l'outil. Tenir le cordon à l'écart de la chaleur, de l'huile, des bords tranchants et des pièces mobiles.** Les cordons endommagés ou emmêlés augmentent le risque d'électrocution.
- **Pour le travail à l'extérieur, utiliser une rallonge adaptée à l'usage extérieur.** L'utilisation d'une telle rallonge réduit le risque d'électrocution.
- **Si l'utilisation de l'outil électrique dans un endroit humide ne peut être évitée, utiliser une source d'alimentation protégée par disjoncteur de fuite à la terre.** Les disjoncteurs de fuite à la terre réduisent le risque d'électrocution.
- **Retirer toute clé ou clavette de réglage avant de mettre l'outil sous tension.** Une clé ou une clavette reliée à une pièce mobile de l'outil peut causer une blessure.
- **Ne pas trop se pencher en avant. Toujours se tenir bien campé et en équilibre.** Cela permet de mieux contrôler l'outil lors d'un imprévu.
- **S'habiller correctement. Ne jamais porter des vêtements amples ou des bijoux. Garder les cheveux, les vêtements et les gants loin des pièces mobiles.** Les vêtements amples, bijoux et cheveux longs peuvent se prendre dans les pièces en mouvement.
- **Si des dispositifs sont fournis pour raccorder des systèmes de collecte et d'extraction de la poussière, s'assurer que ceux-ci sont utilisés et correctement branchés.** L'utilisation de dépoussiéreurs peut réduire les risques associés à la poussière.

Utilisation et entretien des outils électriques

- **Ne pas forcer sur l'outil. Utiliser l'outil qui convient au travail à effectuer.** De cette façon, le résultat sera meilleur et le travail sera effectué de façon plus sécuritaire et au régime pour lequel l'outil a été conçu.
- **Ne pas utiliser l'outil électrique si l'interrupteur ne permet pas la mise sous tension et l'arrêt de l'outil.** Tout outil électrique dont l'interrupteur est défectueux représente un danger et doit être réparé.
- **Débrancher la fiche de la prise ou du bloc d'alimentation avant de procéder aux réglages, de changer les accessoires ou de ranger l'outil.** Ces mesures de sécurité réduisent le risque de mise sous tension accidentelle.
- **Ranger les outils électriques hors de la portée des enfants et ne pas laisser des personnes qui ne connaissent pas l'outil ou les présentes consignes utiliser celui-ci.** Les outils électriques représentent un danger lorsqu'ils sont entre les mains d'utilisateurs non formés.
- **Entretenir les outils électriques correctement. Vérifier l'outil pour y déceler des pièces brisées, un mauvais alignement ou le grippage de pièces mobiles et toute autre situation pouvant nuire au bon fonctionnement de l'appareil. Si l'outil est endommagé, il faut le réparer avant de l'utiliser.** De nombreux accidents sont causés par des outils mal entretenus.
- **Maintenir les outils tranchants correctement entretenus.** Les outils tranchants correctement entretenus dont les bords de coupe sont bien affûtés sont moins susceptibles de se coincer et plus faciles à contrôler.
- **Utiliser l'outil électrique, les accessoires, les forets, etc., conformément aux présentes instructions et en tenant compte des conditions de travail et de la tâche à réaliser.** L'utilisation de l'outil électrique pour des opérations autres que celles pour lesquelles il est prévu peut entraîner des dangers.

Utilisation et entretien des outils électriques à batteries

Sécurité personnelle

- **Lors de l'utilisation d'un outil électrique, toujours demeurer attentif et faire preuve de bon sens. Ne pas utiliser l'outil électrique si vous êtes fatigué ou sous l'emprise de drogues, de l'alcool ou de médicaments.** Tout moment d'inattention pendant l'utilisation d'un outil électrique peut causer de graves blessures.
- **Utiliser de l'équipement de protection individuelle. Toujours porter des lunettes de protection.** L'équipement de protection (masque antipoussière, chaussures de sécurité antidérapantes, casques, protecteurs auditifs, etc.) utilisé selon les conditions réduit les risques de blessure.
- **Prévenir les démarrages accidentels. Vérifier que l'interrupteur est à la position d'arrêt avant de brancher l'outil dans la prise ou le bloc d'alimentation, de le saisir ou de le transporter.** Le transport des outils électriques en maintenant le doigt sur l'interrupteur d'alimentation et le branchement d'outils alors que l'interrupteur est à la position de marche expose à des accidents.

- **Ne recharger qu'avec le chargeur indiqué par le fabricant.** Un chargeur convenant à un type de bloc de batteries particulier peut entraîner un risque d'incendie s'il est utilisé avec un autre bloc de batteries.
- **N'utiliser des outils électriques qu'avec les blocs de batteries spécifiquement indiqués.** L'utilisation d'autres groupes de batteries peut entraîner un risque de blessure et d'incendie.
- **Lorsqu'on n'utilise pas le bloc de batteries, le tenir à l'écart d'objets métalliques, tels que les trombones, pièces de monnaie, clés, clous, vis ou autres petits objets en métal, qui peuvent établir une connexion entre les bornes.** La mise en court-circuit des bornes de batteries peut provoquer des brûlures ou un incendie.
- **Une utilisation abusive peut laisser s'échapper du liquide de la batterie; éviter tout contact. En cas de contact accidentel, rincer abondamment à l'eau. Si du liquide entre en contact avec les yeux, consulter en outre un médecin immédiatement.** Le liquide échappé de la batterie peut provoquer des irritations ou des brûlures.

Réparations

- **Faire entretenir votre outil électrique par un technicien qualifié et utiliser uniquement des pièces de rechange identiques aux pièces d'origine.** L'entretien adéquat de l'outil permet une utilisation plus sécuritaire.

Avertissements de sécurité relatifs au taille-haie

- **Utiliser le taille-haie avec les deux mains. Le fait d'utiliser le taille-haie à l'aide d'une seule main peut entraîner une perte de contrôle et de graves blessures personnelles.**
- **Tenir les lames éloignées de toute partie du corps. Ne pas retirer de matériel coupé ni tenir le matériel à couper quand les lames tournent. S'assurer que l'interrupteur est en position d'arrêt avant de dégager du matériel coincé. Les lames continuent de tourner après la mise hors tension de l'outil.** Tout moment d'inattention pendant l'utilisation du taille-haie peut causer de graves blessures.
- **Transporter le taille-haie par la poignée avec la lame de coupe à l'arrêt. Toujours s'assurer que la protection du taille-haie est installée pour le transport ou le remisage.** Manipuler le taille-haie avec soin permet d'éviter les risques de blessures causées par les lames de coupe.
- **Tenir l'outil électrique uniquement par les endroits isolés prévus pour la prise de l'outil, car la lame pourrait entrer en contact avec un câble dissimulé.** Si les lames entrent en contact avec un câble sous tension, les parties métalliques non isolées de l'outil pourraient agir comme conducteur et électrocuter l'utilisateur.

Sécurité des batteries

Utiliser seulement des blocs de batteries du fabricant et ne les recharger qu'avec un chargeur de batteries fourni par le fabricant.

Les blocs de batteries rechargeables servent uniquement comme source d'alimentation des outils sans fil connexes. Pour éviter des blessures, ne pas utiliser le bloc de batteries comme source d'alimentation d'autres appareils.

- Ne pas démonter, ouvrir ou broyer un bloc de batteries.
- Ne pas garder des blocs de batteries en plein soleil ou en pleine chaleur. Tenir les blocs de batteries à l'écart du feu.
- Examiner régulièrement le chargeur du bloc de batteries et le bloc de batteries afin de détecter d'éventuels dommages. Des blocs de batteries endommagés ou modifiés peuvent provoquer un incendie, une explosion ou un risque de blessure. Ne pas réparer ou ouvrir des blocs de batteries endommagés.
- Ne pas utiliser un bloc de batteries ou un outil défectueux, modifié ou endommagé.
- Ne pas modifier ou réparer les outils ou les blocs de batteries. Ne laisser que votre concessionnaire agréé effectuer les réparations.
- Ne pas court-circuiter un élément ou un bloc de batteries. Ne pas entreposer les blocs de batteries dans une boîte ou dans un tiroir où ils peuvent être court-circuités par d'autres objets métalliques.
- Ne pas retirer un bloc de batteries de son emballage d'origine à moins d'en avoir besoin à des fins d'utilisation.
- Ne pas soumettre les blocs de batteries à des chocs mécaniques.
- S'il y a une fuite au niveau de la batterie, ne pas laisser le liquide toucher la peau ou les yeux. Si on touche le liquide, nettoyer la zone avec une grande quantité d'eau et consulter un médecin.
- Ne pas utiliser un chargeur de batterie autre que celui spécifié pour fonctionner avec le bloc de batteries.
- Regarder les signes plus (+) et moins (-) du bloc de batteries et de l'outil pour s'assurer du bon fonctionnement.
- Ne pas utiliser un bloc de batteries qui n'est pas fabriqué pour fonctionner avec l'outil.
- Ne pas mélanger des blocs de batteries de tension ou de fabricant différent dans un appareil.
- Tenir les blocs de batteries à l'écart des enfants.
- Acheter toujours les blocs de batteries adéquats pour l'outil.
- Conserver les batteries propres et sèches.
- Nettoyer toute saleté sur les bornes du bloc de batteries avec un linge propre.
- Les blocs de batteries secondaires doivent être chargés avant utilisation. Utiliser toujours le chargeur

de batterie adéquat et consulter le manuel pour obtenir des instructions de charge appropriées.

- Ne pas laisser la charge du bloc de batteries se prolonger lorsqu'il n'est pas utilisé.
- Conserver le manuel pour s'y référer à l'avenir.
- Utiliser le bloc de batteries seulement en cas de nécessité.
- Retirer le bloc de batteries de l'outil lorsque celui-ci n'est pas en service.
- Tenir le bloc de batteries à l'écart d'attaches-trombones, clés, clous, vis et autres petits objets en métal pendant l'utilisation. Ceux-ci peuvent établir une connexion entre les bornes. La mise en court-circuit des bornes de bloc de batteries peut provoquer des brûlures ou un incendie.

Consignes générales de sécurité

- Utiliser l'outil correctement. Des blessures graves ou mortelles peuvent résulter d'une utilisation non adéquate. Utiliser l'outil seulement pour les tâches décrites dans le présent manuel. Ne pas utiliser cet outil pour d'autres tâches.
- Suivre les instructions de ce manuel. Respecter les symboles et les instructions de sécurité. Si l'opérateur ne respecte pas les instructions et les symboles, il pourrait en résulter des blessures, des dommages ou la mort.
- Ne pas jeter ce manuel. Utiliser les instructions pour assembler l'outil, le faire fonctionner et le conserver en bon état. Suivre les instructions pour l'installation correcte des équipements et accessoires. Utiliser uniquement des pièces et accessoires homologués.
- Ne pas utiliser l'outil s'il est endommagé. Respecter le calendrier d'entretien. N'effectuer que les travaux d'entretien prescrits dans ce manuel. Un centre agréé doit effectuer tous les autres travaux d'entretien.
- Ce manuel ne décrit pas toutes les situations qui peuvent se produire lorsqu'on utilise l'outil. Rester prudent et faire preuve de bon sens. Ne pas faire fonctionner l'outil ni effectuer un entretien sur l'outil si vous n'êtes pas sûr de la situation. Pour obtenir plus d'information, s'adresser à un spécialiste de l'outil, à votre revendeur, à un atelier de réparation ou à un centre de service après-vente agréé.
- Retirer le bloc de batteries avant d'installer, de stocker ou de procéder à l'entretien de l'outil.
- Ne pas utiliser l'outil si des modifications contraires à ses caractéristiques initiales y ont été apportées. Ne pas modifier une partie de l'outil sans l'approbation du fabricant. Utiliser seulement des pièces homologuées par le fabricant. Des blessures graves ou mortelles peuvent résulter d'un entretien non adéquat.
- Ne pas démarrer l'outil dans un local clos ou à proximité de matériaux inflammables.
- Le moteur émet un champ électromagnétique lorsque vous utilisez le produit. Le champ électromagnétique peut endommager les implants

médicaux. Parler à votre médecin et au fabricant de l'implant avant d'utiliser l'outil.

- Ne pas laisser un enfant utiliser l'outil. Ne pas laisser une personne utiliser le produit sans connaître les instructions.
- S'assurer de toujours surveiller les personnes avec des capacités physiques ou mentales réduites qui utilisent le produit. Un adulte responsable doit toujours être présent.
- Ranger l'outil dans un endroit verrouillé auquel les enfants et les personnes non autorisées ne peuvent pas accéder.
- L'outil peut projeter des objets et causer des blessures. Respecter les consignes de sécurité afin de réduire le risque de blessures graves ou mortelles.
- Ne pas s'éloigner du produit lorsque le moteur est sous tension.
- Tout accident avec cet outil engage la responsabilité de l'opérateur.
- Avant d'utiliser l'outil, vérifier que les pièces ne sont pas endommagées.
- S'assurer d'être à une distance sécuritaire d'autres personnes ou d'animaux avant d'utiliser le produit. S'assurer que toutes les personnes dans les environs immédiats sont informées que vous allez utiliser le produit.
- Consulter les lois nationales ou locales. Elles peuvent interdire ou limiter l'utilisation de l'outil dans certaines conditions.

Dispositifs de protection sur le produit

- Faire régulièrement l'entretien sur le produit.
 - Cette précaution augmente la durée de vie utile du produit.
 - Cette précaution réduit le risque d'accident.

Communiquer régulièrement avec un concessionnaire agréé ou à un centre de service après-vente agréé d'examiner le produit pour effectuer les réglages et les réparations.

- Ne pas utiliser un produit avec un équipement de protection endommagé. Si le produit est endommagé, communiquer avec un centre de service après-vente agréé.

Protège-mains

La protection de la main empêche les mains de toucher aux lames en mouvement. Par exemple, si l'utilisateur relâche la poignée avant.

- S'assurer que la protection de la main est bien fixée.
- S'assurer que la protection de la main n'est pas endommagée.

Protège-lame

- S'assurer que le protège-lame n'est pas endommagé ou tordu.

- Fixer le protège-lame pendant le transport et l'entreposage du produit.

Consignes de sécurité pour la maintenance



AVERTISSEMENT : Un mauvais entretien peut entraîner des dommages au moteur et des blessures.

FONCTIONNEMENT

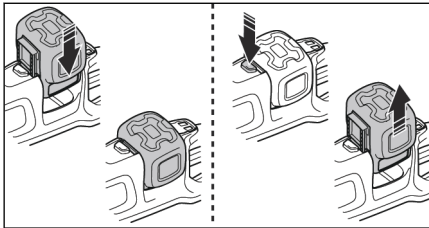


AVERTISSEMENT : Lire et comprendre le chapitre sur la sécurité avant d'utiliser l'outil.

Avant de démarrer le produit

- Inspecter l'outil pour détecter les pièces manquantes, endommagées, desserrées ou usées.
- Vérifier les écrous, les vis et les boulons.
- Vérifier si la gâchette fonctionne correctement.
- Vérifier si le bouton d'alimentation fonctionne correctement.

Installation de la batterie



- Aligner les rainures de la batterie avec les fentes de montage pratiquées dans le boîtier de la batterie. Pousser la batterie dans son compartiment jusqu'à ce qu'un déclic se fasse entendre.
- Pour retirer la batterie, pousser sur le bouton de déverrouillage de la batterie et le maintenir enfoncé, puis retirer la batterie.

Démarrage du moteur

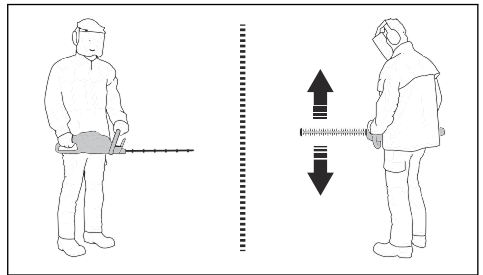
1. Installer le bloc de batteries. Voir *Installation de la batterie* à la page 24.
2. Appuyer sur le bouton d'alimentation jusqu'à ce que le voyant s'allume.
3. Saisir la poignée avant avec la main gauche et la poignée arrière avec la main droite. Appuyer sur le bouton de verrouillage avant.
4. Appuyer sur la gâchette pour faire fonctionner le produit.
 - Appuyer légèrement sur la gâchette pour un régime plus lent.

L'utilisateur est responsable d'effectuer l'entretien nécessaire indiqué dans le manuel de l'utilisateur.

Toujours retirer la batterie avant de procéder à l'entretien.

- Appuyer davantage sur la gâchette pour un régime plus rapide.
5. Utiliser l'outil.

Pour tailler la haie



- Déplacer le produit du bas vers le haut lors de la coupe des côtés.
- Orienter le moteur à l'écart de la haie.
- Tenir le produit le plus près possible du corps pour un équilibre idéal.
- S'assurer que la pointe de la lame ne touche pas au sol.
- Ne pas effectuer la coupe trop rapidement. Effectuer la coupe lentement et de façon continue pour obtenir une coupe de bonne qualité.

Pour changer le mode de puissance

Il est possible de changer le mode de puissance de l'outil pendant le fonctionnement. Il y a 2 modes de puissance :

1. **Mode standard** – économise l'énergie et optimise la durée de fonctionnement. Le mode standard est approprié pour réaliser la plupart des tâches.

Remarque : Le produit est configuré en mode standard lors du démarrage.

2. **Mode de suralimentation** – l'outil fonctionne à vitesse élevée en mode suralimentation. Le mode suralimentation active l'outil à pleine puissance pour effectuer les tâches difficiles. Pour activer le mode suralimentation, appuyer sur le bouton du mode suralimentation jusqu'à ce que le voyant s'illumine. Pour désactiver le mode suralimentation, appuyer sur le bouton du mode suralimentation jusqu'à ce que le voyant s'éteigne.

Remarque : Lorsque la gâchette est relâchée pendant le fonctionnement, l'outil démarre dans le dernier mode utilisé. Si l'outil s'arrête automatiquement ou si l'utilisateur enfonce le bouton d'alimentation, le dernier mode utilisé est effacé de la mémoire. L'outil repasse en mode standard lors du démarrage.

Jauge de puissance

La jauge de puissance indique le niveau de puissance utilisé par l'outil pendant son fonctionnement.

- Les DEL 4 et 5 indiquent le meilleur rendement et la meilleure efficacité de la batterie.
- La DEL 6, du côté droit, indique la puissance maximale et l'efficacité minimale de la batterie.

Témoin à DEL d'état de charge de la batterie

L'état de la batterie est indiqué jusqu'à ce que la gâchette soit enfoncée. Lorsque la gâchette est relâchée, l'état de la batterie s'affiche à nouveau.

Le nombre de DEL allumées indique le niveau de charge actuel de la batterie.

Éclairages DEL	État de la batterie
Toutes les DEL vertes s'allument	Batteries complètement chargées (100 % – 76 %)
Les DEL 1, 2 et 3 s'allument	Le bloc de batteries est chargé entre 75% et 51 %.
Les DEL 1 et 2 s'allument	Le bloc de batteries est chargé entre 50% et 26%.
La DEL 1 s'allume	Le bloc de batteries est chargé entre 25% et 6%.
La DEL 1 clignote	Le bloc de batteries est chargé entre 5% et 0%.

Remarque : Si le moteur s'arrête et la DEL d'alimentation reste allumée, appuyer sur le bouton sur la batterie. Pour connaître des solutions possibles, voir *#unique_88/unique_88_Connect_42_*

Remarque : Lorsque la batterie est complètement déchargée, le moteur s'arrête immédiatement.

Remarque : Le moteur s'arrête automatiquement si la batterie ou le contrôleur du moteur devient trop chaud pendant une utilisation intensive. Laisser le moteur et la batterie refroidir. Ensuite, l'outil se réinitialise.

ENTRETIEN



AVERTISSEMENT : Lire et comprendre le chapitre sur la sécurité avant de le nettoyer l'outil, le réparer ou en effectuer l'entretien.

Entretien quotidien

- Retirer le bloc de batteries. Se reporter aux instructions d'utilisation de la batterie pour connaître l'entretien adéquat.
- Vérifier les écrous, les vis et les boulons.
- Vérifier si la gâchette fonctionne correctement.
- Vérifier si le bouton d'alimentation fonctionne correctement.
- Retirer les débris du produit à l'aide d'une brosse douce ou d'un linge sec. Ne pas nettoyer avec de l'eau, des nettoyants liquides ou des solvants.
- À l'aide d'une brosse douce, retirer les débris des événements.
- Inspecter l'outil pour détecter les pièces manquantes, endommagées, desserrées ou usées.
- Inspecter le produit pour s'assurer que les pièces mobiles sont alignées et qu'elles peuvent fonctionner en toute sécurité.
- Lubrifier les lames pour éviter la corrosion. Le lubrifiant doit pas être toxique ou dangereux pour les personnes, les animaux ou les plantes. S'assurer que le lubrifiant ne pénètre pas entre les lames supérieure et inférieure.
- Fixer le protège-lame.
- Ranger l'outil dans un endroit verrouillé auquel les enfants et les personnes non autorisées ne peuvent pas accéder.
- Si l'outil est endommagé, communiquer avec un centre de service après-vente agréé. Ne pas utiliser l'outil s'il est endommagé.

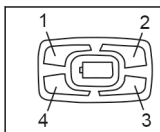
DÉPANNAGE

Problème	Anomalies potentielles	Étape potentielle
Le produit ne démarre pas	L'alimentation est coupée.	Établir l'alimentation. Voir <i>Démarrage du moteur à la page 24</i> .
	Aucun contact électrique entre le produit et la batterie.	Installer la batterie correctement. Voir <i>Installation de la batterie à la page 24</i> .
	La batterie n'est pas chargée.	Charger le bloc de batteries. Consulter le manuel d'utilisation pour obtenir des renseignements sur la batterie.
	La batterie ou le produit est trop chaud.	Laisser la batterie et le produit refroidir avant de démarrer le produit.
	La batterie ou le produit est trop froid.	Laisser la batterie et le produit réchauffer avant de démarrer le produit.
	Le contrôleur du moteur est trop chaud.	Laisser la batterie et le produit refroidir pendant au moins une heure avant de démarrer le produit.
Les lames ne bougent pas	Les lames sont bloquées	Retirer le matériel indésirable

Codes d'erreur

Les codes d'erreur aident à dépanner la batterie ou le chargeur du bloc de la batterie pendant la charge.

Remarque : Regarder la DEL d'état de charge de la batterie quand les nervures de la batterie sont orientées vers le haut pour voir les DEL dans le bon sens.



Écran DEL	Anomalies potentielles	Étapes potentielles
La DEL 1 est rouge et la DEL 4 est verte, la batterie ne charge pas ou ne fonctionne pas correctement dans le produit	Fusible interne grillé	Communiquer avec un centre de service après-vente agréé.
La DEL 1 est rouge	Tension de l'élément irrégulière	Communiquer avec un centre de service après-vente agréé.
La DEL 4 est verte	La batterie est surchargée	Retirer la batterie du chargeur de batterie et l'installer dans le produit. Utiliser le produit. Le chargeur de la batterie peut-être défectueux. Communiquer avec un centre de service après-vente agréé.
La DEL 1 est rouge et la DEL 2 est verte, la batterie ne charge pas ou ne fonctionne pas correctement dans le produit	Défaillance de la batterie	Retirer la batterie du produit. Ne pas charger la batterie. LA batterie est endommagée et doit être remplacée. Communiquer avec un centre de service après-vente agréé.

Écran DEL	Anomalies potentielles	Étapes potentielles
La DEL ROUGE s'allume, la DEL 2 est verte et elle clignote pendant la charge ou quand la batterie est installée sur le chargeur	La température interne de la batterie est trop basse ou trop élevée pour effectuer la charge	Déplacer le chargeur et la batterie à un endroit où la température interne de la batterie peut se situer entre 5°C (41°F) et 45°C (113°F).
La DEL ROUGE clignote et la DEL 2 clignote en vert quand la batterie est installée.	La température interne de la batterie est trop basse ou trop élevée	La température interne de la batterie doit se situer entre -15°C (5°F) et 70°C (158°F). La température ambiante dans la batterie est trop basse ou trop élevée. <ul style="list-style-type: none"> • Si la batterie est trop froide dans l'air ambiant, déplacer la batterie et le chargeur de batterie dans un environnement chaud. • Si la batterie est trop chaude, surtout après l'utilisation, déplacer la batterie et le chargeur à l'écart de l'environnement chaud.

DONNÉES TECHNIQUES

	unité	PRHT22i (BHT58VPR)
Spécifications du moteur		
Type de moteur		Sans balais
Tension du moteur	V (c.c.)	58
Puissance du moteur	Mer.	500
Spécifications de la batterie et du chargeur		
Type de batterie par défaut		PR140Li
Type de chargeur de batterie par défaut		PR275Ci
Spécifications de la lame		
Vitesse de rotation de la lame (standard / suralimenté)	min ¹	1 400 / 1 900
Largeur de la lame	cm (po)	55 (21.6)
Capacité de découpe	mm (po)	19 (0,75)
Dimensions de l'outil		
Poids (sans batterie)	kg (lb)	3,66 (8,1)

POULANPRO®

www.poulanpro.com

Original instructions
Instrucciones originales
Instructions d'origine